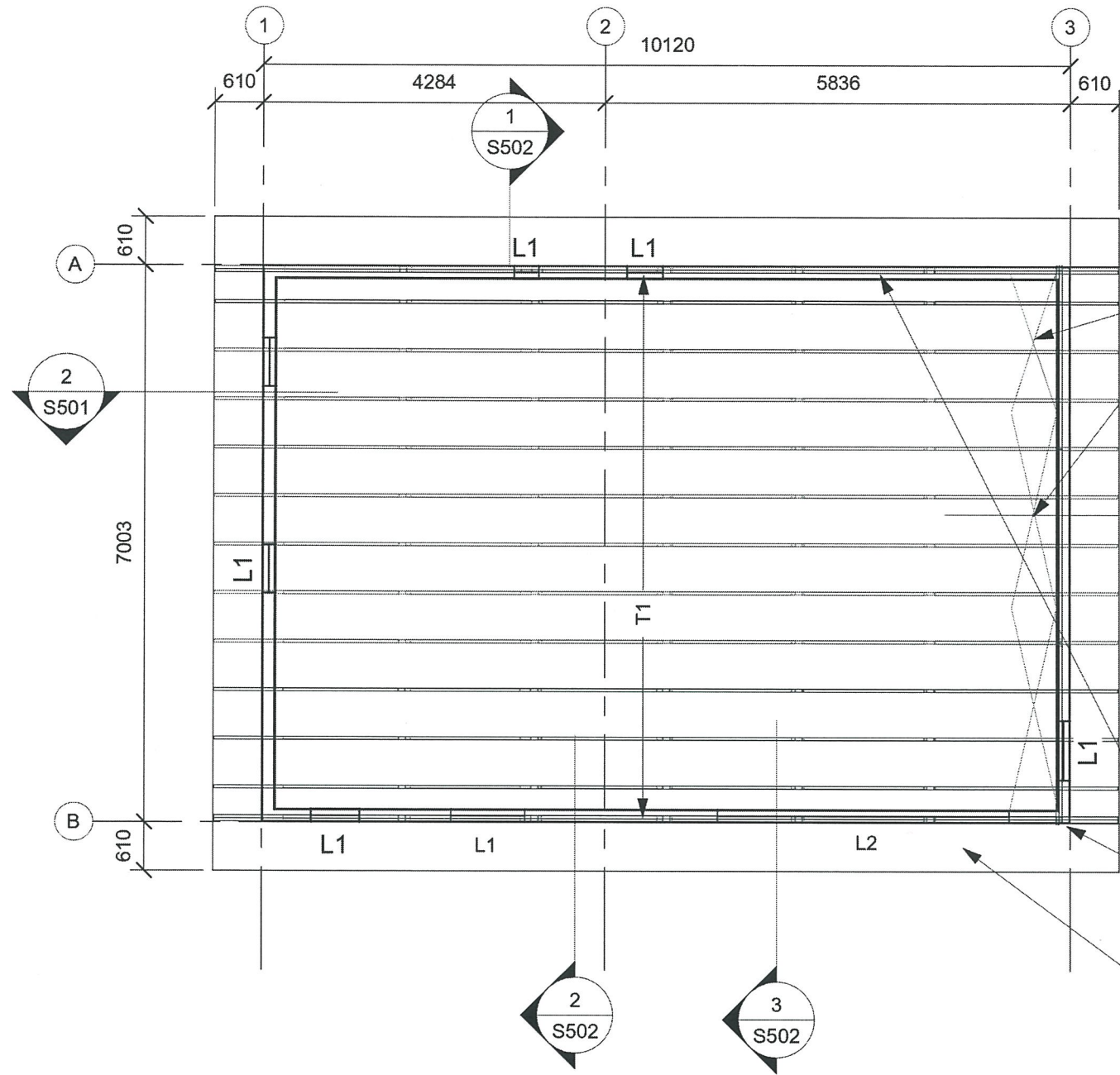


LINTEL SCHEDULE

Lintel Mark	Lintel Size	No of King Posts	No of Jack Studs	King/Jack Nominal Size
L1	2 PLY 38x140 SPF #2 OR BETTER	1	1	38x140 SPF #2 OR BETTER
L2	2 PLY 45x241 1.55E LSL	1	1	38x140 SPF #2 OR BETTER



PROVIDE PERMANENT 38x89 VERTICAL CROSS BRACING ON INTERIOR FACE OF TRUSS END WEB AT POLYCARBONATE CLAD WALL. DESIGN OF ADDITIONAL PERMANENT TRUSS BRIDGING OR BRACING BY TRUSS SUPPLIER, REFER TO TRUSS SHOP DRAWINGS AND INSTALL AS PER SUPPLIERS RECOMMENDATIONS.

NOTE:
 PROVIDE ADDITIONAL L1 LINTELS AS REQUIRED AT MECHANICAL OPENINGS LESS THAN 1220 WIDE.
 REFER TO MECHANICAL AND ARCHITECTURAL DRAWINGS FOR QUANTITY AND LOCATION OF OPENINGS.

T-1
 16mm PLYWOOD SHEATHING ON PRE-ENGINEERED MONO-SLOPE ROOF TRUSSES @ 610 mm O/C MAXIMUM.
 BALANCE TRUSS LAYOUT TO PROVIDE EQUAL END BAY DISTANCES.

PROVIDE DOUBLE TRUSS OVER SIDEWALLS

PROVIDE 38x140 LADDER FRAMING SECURED TO SIDEWALL DOUBLE TRUSS AT SIDEWALL OVERHANGS - TYPICAL

1 ROOF FRAMING PLAN

S301 1 : 75

ROOF DESIGN LOADS

SERVICE LIVE LOAD 1.0 kPa (MAINTENANCE)
 SERVICE SNOW LOAD 1.72 kPa (PLUS SNOW BUILD-UP)
 SERVICE DEADLOAD 0.8 kPa

PROJECT NORTH



APEGM
 Certificate of Authorization
 SWP Projects Ltd.
 No. 6036 Expiry: April 30, 2018