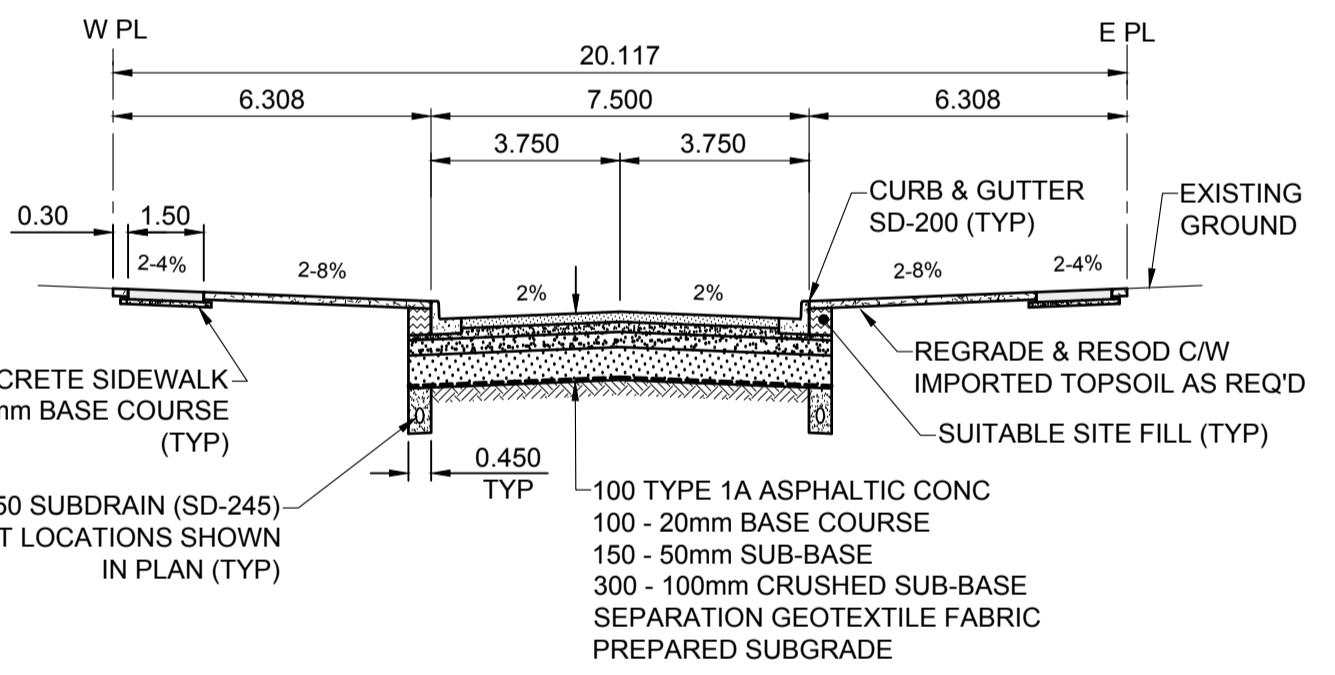
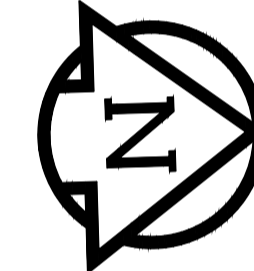
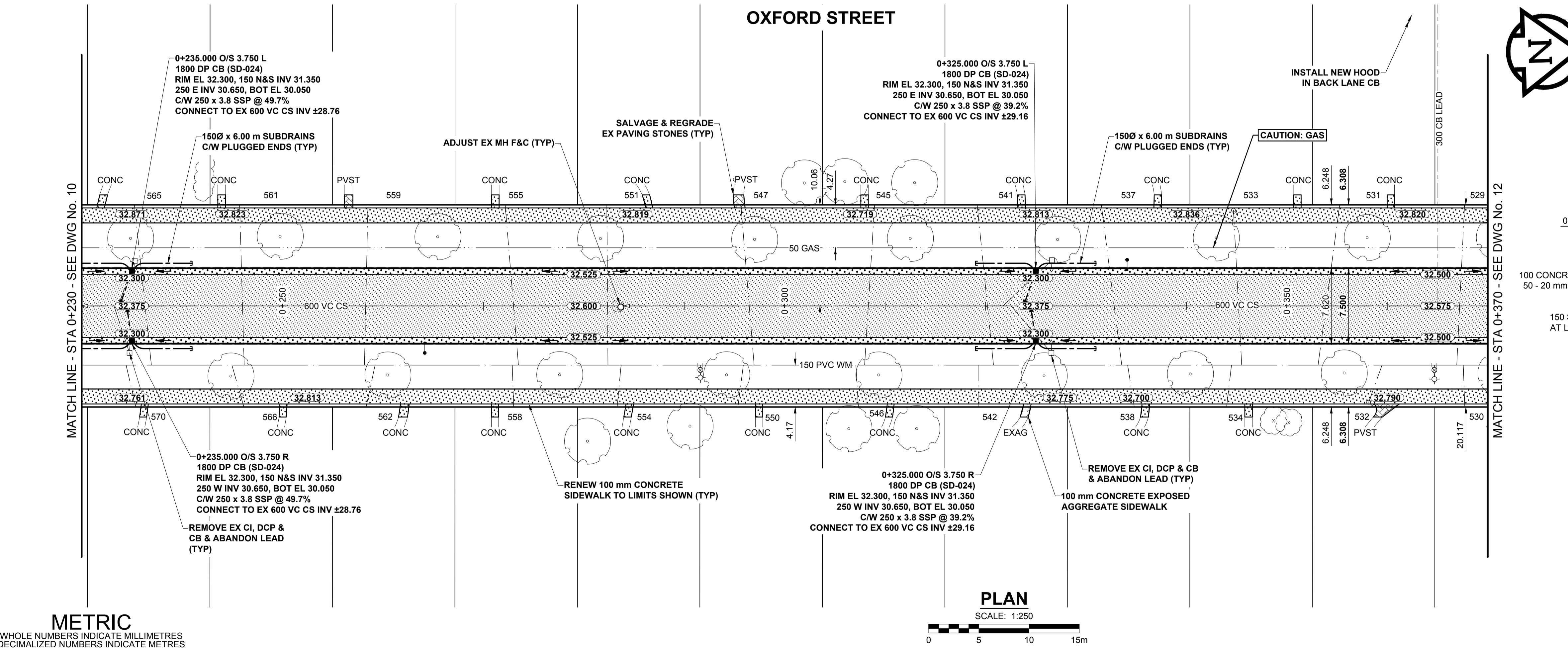


- NOTES**
- ADJUST MH AND CB RIMS TO NEW GRADES.
 - LAMP STANDARDS, HYDRO POLES, AND ANCHORS THAT REQUIRE TEMPORARY SUPPORT, REMOVAL OR REPLACEMENT, TO BE DONE SO AT THE EXPENSE OF THE CONTRACTOR AS NECESSARY.
 - CONTRACTOR TO REGRADE/RENEW EXISTING PRIVATE SIDEWALKS TO LIMITS AS SHOWN. SIDEWALKS TO BE RENEWED WITH CONCRETE UNLESS NOTED OTHERWISE.
 - CONTRACTOR TO TAKE PRECAUTIONARY STEPS TO PROTECT EXISTING TREES WITHIN THE LIMITS OF CONSTRUCTION FROM DAMAGE FROM CONSTRUCTION ACTIVITIES AS OUTLINED IN THE SPECIFICATIONS.
 - CONTRACTOR TO CONFIRM THE LOCATION OF ALL UTILITIES/SERVICES IN THE FIELD PRIOR TO CONSTRUCTION.
 - CB SD-023 & SD-024 OFFSETS ARE DIMENSIONED TO BOC. CB SD-025 OFFSETS ARE DIMENSIONED O/C.
 - IN GENERAL, PAVEMENT AND SIDEWALK AREAS TO BE REMOVED. MATCH RECONSTRUCTION LIMITS.
 - REFER TO BID OPPORTUNITY FOR DETAILS REGARDING TRAFFIC MANAGEMENT.
 - EXISTING LONG WATER SERVICES TO BE INSULATED (SD-018). REFER TO BID OPPORTUNITY FOR FURTHER REQUIREMENTS AND AS NOTED IN PLAN.
 - ALL COSTS, MATERIALS AND LABOR ASSOCIATED WITH THE RESTORATION OF THE CATHODIC PROTECTED WATERMAIN WILL BE RESPONSIBILITY OF THE CONTRACTOR.
 - MODIFIED BARRIER CURB & GUTTER INLET FRAME & COVER TF-122.
 - ADD 200.000 m TO ABBREVIATED ELEVATIONS TO OBTAIN GEODETIC ELEVATIONS.



METRIC
WHOLE NUMBERS INDICATE MILLIMETRES
DECIMALIZED NUMBERS INDICATE METRES

---	---	○	●	CONCRETE PAVEMENT	LOCATION APPROVED UNDERGROUND STRUCTURES
---	---	□	■	CONC SIDEWALK/MEDIAN	DATE
---	---	△	▲	ASPHALT PAVEMENT	DATE
---	---	○	▲	PAVING STONE	DATE
---	---	○	▲	GRAVEL	DATE
---	---	○	▲	RAMP CURB	DATE
---	---	○	▲	PLANING/REMOVAL	DATE
---	---	○	▲	MANHOLE	DATE
---	---	○	▲	CATCH BASIN/CATCH PIT	DATE
---	---	○	▲	CURB INLET WITH BOX	DATE
---	---	○	▲	TREE	DATE
---	---	○	▲	TEST HOLE	DATE
---	---	○	▲	PROPERTY LINE	DATE
---	---	○	▲	SURVEY BAR	DATE
---	---	○	▲	FENCE	DATE
---	---	○	▲	BOC/EDGE OF PAVEMENT	DATE
---	---	○	▲	ELEVATION (33.333)	DATE
---	---	○	▲	TRAFFIC SIGN	DATE
---	---	○	▲	LEGEND - PLAN	DATE
---	---	○	▲	LEGEND - PLAN	DATE
---	---	○	▲	LEGEND - PLAN	DATE

NOTE:
LOCATION OF UNDERGROUND STRUCTURES AS SHOWN ARE BASED ON THE BEST INFORMATION AVAILABLE BUT NO GUARANTEE IS GIVEN THAT ALL EXISTING UTILITIES ARE SHOWN OR THAT THE GIVEN LOCATIONS ARE EXACT. CONFIRMATION OF EXISTENCE AND EXACT LOCATION OF ALL SERVICES MUST BE OBTAINED FROM THE INDIVIDUAL UTILITIES BEFORE PROCEEDING WITH CONSTRUCTION.

BM 51-018	S.W. Cor. Fleet Ave. & Cambridge St., Brass plug in 11 m Conc. pile, 2.3 m N. of S.L. Fleet Ave. & 0.3 m W. of W.L. Cambridge St.												
ELEV 232.638 m													
<table border="1"> <tr> <th>No.</th><th>REVISIONS</th><th>DATE</th><th>BY</th></tr> <tr> <td>B</td><td>ISSUED FOR TENDER</td><td>18/03/28</td><td>JGK</td></tr> <tr> <td>A</td><td>ISSUED FOR CLIENT REVIEW</td><td>18/03/02</td><td>JGK</td></tr> </table>		No.	REVISIONS	DATE	BY	B	ISSUED FOR TENDER	18/03/28	JGK	A	ISSUED FOR CLIENT REVIEW	18/03/02	JGK
No.	REVISIONS	DATE	BY										
B	ISSUED FOR TENDER	18/03/28	JGK										
A	ISSUED FOR CLIENT REVIEW	18/03/02	JGK										

DESIGNED BY	JGK
CHECKED BY	RPB
DRAWN BY	DML
APPROVED BY	BWB
RELEASED FOR CONSTRUCTION	
HOR SCALE	1:250
VERT SCALE	1:10
DATE	18/03/02

PROFESSIONAL'S SEAL
PRELIMINARY DRAWING
NOT TO BE USED FOR CONSTRUCTION
CONSULTANT FILE NAME
1700095-Oxford-PP-02.dwg

THE CITY OF WINNIPEG
PUBLIC WORKS DEPARTMENT
ENGINEERING DIVISION

2018 LOCAL STREETS PACKAGE
OXFORD STREET
FLEET AVE TO CORYDON AVE
ASPHALT RECONSTRUCTION
PAVING AND GRADING
STA 0+230 TO STA 0+370

CITY DRAWING NUMBER: N/A
SHEET 11 OF 25
DRAWING No. 11

BID OPPORTUNITY No. 127-2018