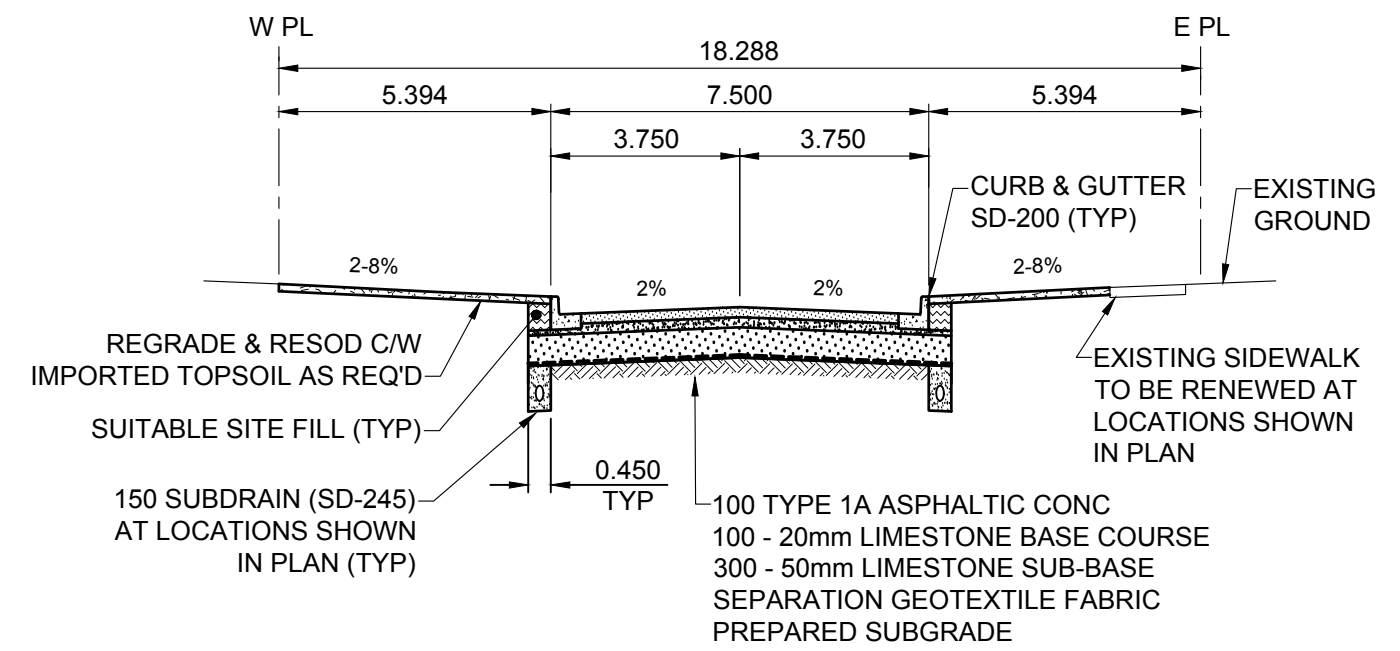
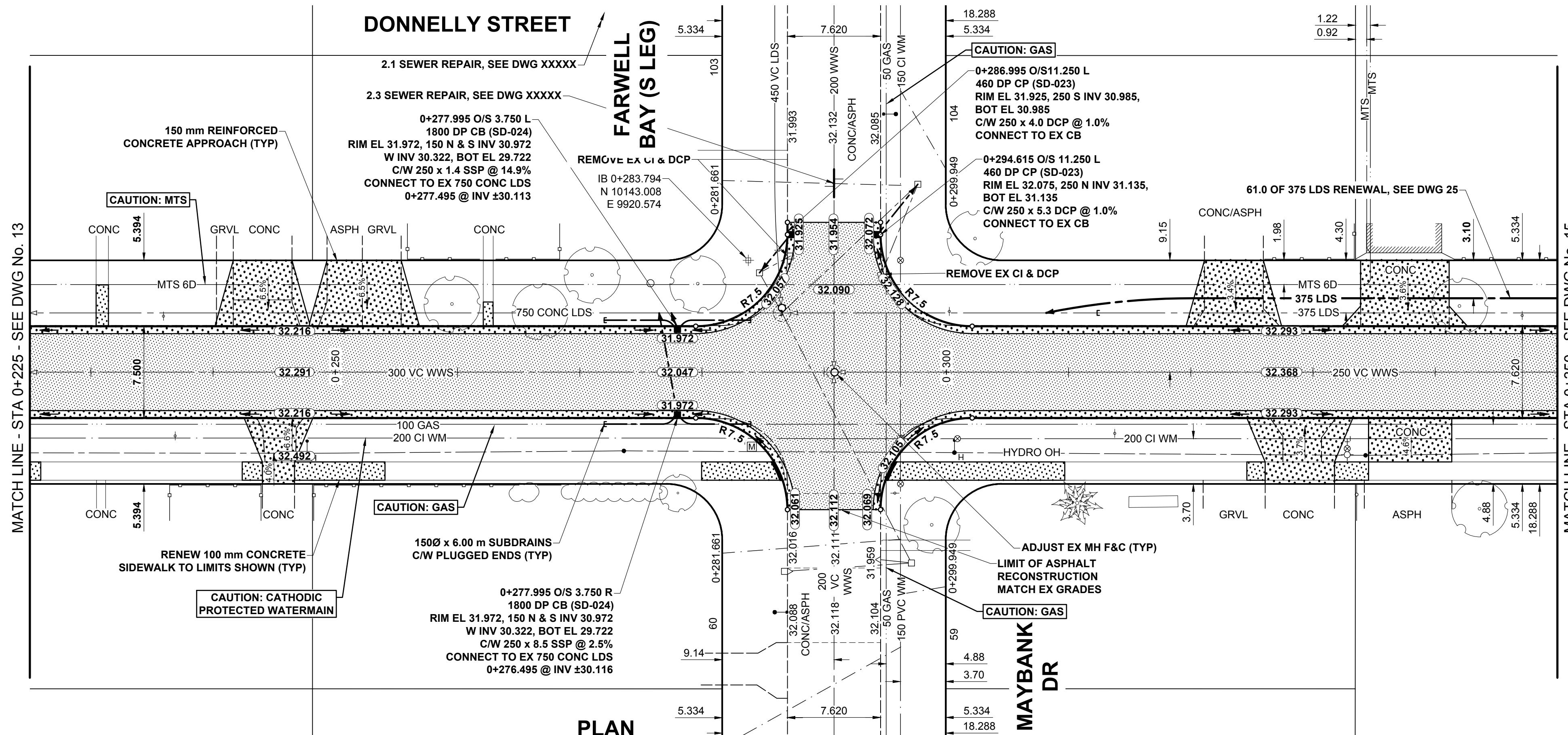
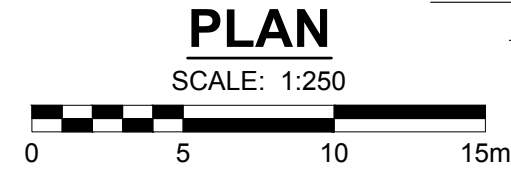


- NOTES**
- ADJUST MH AND CB RIMS TO NEW GRADES.
 - LAMP STANDARDS, HYDRO POLES, AND ANCHORS THAT REQUIRE TEMPORARY SUPPORT, REMOVAL OR REPLACEMENT, TO BE DONE SO AT THE EXPENSE OF THE CONTRACTOR AS NECESSARY.
 - CONTRACTOR TO REGRADE/RENEW EXISTING PRIVATE SIDEWALKS TO LIMITS AS SHOWN. SIDEWALKS TO BE RENEWED WITH CONCRETE UNLESS NOTED OTHERWISE.
 - CONTRACTOR TO TAKE PRECAUTIONARY STEPS TO PROTECT EXISTING TREES WITHIN THE LIMITS OF CONSTRUCTION FROM DAMAGE FROM CONSTRUCTION ACTIVITIES AS OUTLINED IN THE SPECIFICATIONS.
 - CONTRACTOR TO CONFIRM THE LOCATION OF ALL UTILITIES/SERVICES IN THE FIELD PRIOR TO CONSTRUCTION.
 - CB SD-023 & SD-024 OFFSETS ARE DIMENSIONED TO BOC. CB SD-025 OFFSETS ARE DIMENSIONED O/C.
 - IN GENERAL, PAVEMENT AND SIDEWALK AREAS TO BE REMOVED. MATCH RECONSTRUCTION LIMITS.
 - REFER TO BID OPPORTUNITY FOR DETAILS REGARDING TRAFFIC MANAGEMENT.
 - EXISTING LONG WATER SERVICES TO BE INSULATED (SD-018). REFER TO BID OPPORTUNITY FOR FURTHER REQUIREMENTS AND AS NOTED IN PLAN.
 - ALL COSTS, MATERIALS AND LABOR ASSOCIATED WITH THE RESTORATION OF THE CATHODIC PROTECTED WATERMAIN WILL BE RESPONSIBILITY OF THE CONTRACTOR.
 - MODIFIED BARRIER CURB & GUTTER INLET FRAME & COVER TF-122.
 - ADD 200.000 m TO ABBREVIATED ELEVATIONS TO OBTAIN GEODETIC ELEVATIONS.



TYPICAL PAVEMENT SECTION
ASPHALT PAVEMENT STRUCTURE
SCALE: NTS

METRIC
WHOLE NUMBERS INDICATE MILLIMETRES
DECIMALIZED NUMBERS INDICATE METRES



| | | | | | | | | | | | | | | | |
|-----|-------------------------|-----|-----------------------|-----|----------------------|-----|---|----------------|--|---------------------|---------------------|---------------------------------|----------------------------|----------------------------|--|
| --- | GAS | ○ | MANHOLE | ● | CONCRETE PAVEMENT | □ | LOCATION APPROVED UNDERGROUND STRUCTURES | BM 65-017 | E. side Donnelly St., N. of Maybank Dr., Tbl. in W. Conc. Foundation of No. 20 Donnelly St. (Ralph Maybank School), 1.0 m N. & 0.1 m below surface of S.W. Cor. of School. | PROFESSIONAL'S SEAL | PRELIMINARY DRAWING | NOT TO BE USED FOR CONSTRUCTION | CONSULTANT FILE NAME | 1700095-Donnelly-PP-02.dwg | |
| --- | MTS HANDWELL/PEDESTAL | □ | CATCH BASIN/CATCH PIT | ■ | CONC SIDEWALK/MEDIAN | ▨ | DATE | ELEV 232.843 m | DESIGNED BY GFC CHECKED BY RPB DRAWN BY DML APPROVED BY BWB RELEASED FOR CONSTRUCTION | DATE 18/03/02 | DATE 18/03/02 | DATE | 1700095-Donnelly-PP-02.dwg | CITY DRAWING NUMBER N/A | |
| --- | HYDRO HANDWELL/CABINET | △ | CURB INLET WITH BOX | ▲ | ASPHALT PAVEMENT | ▨ | DATE | | | | | | | | |
| --- | CATV/FIBRE OPTIC | ○ | TREE | ● | PAVING STONE | ▨ | NOTE: | | | | | | | | |
| --- | TRAFFIC SIGNALS/PIT | ⊕ | TEST HOLE | ⊕ | GRAVEL | ▨ | LOCATION OF UNDERGROUND STRUCTURES AS SHOWN ARE BASED ON THE BEST INFORMATION AVAILABLE BUT NO GUARANTEE IS GIVEN THAT ALL EXISTING UTILITIES ARE SHOWN OR THAT THE GIVEN LOCATIONS ARE EXACT. CONFIRMATION OF EXISTENCE AND EXACT LOCATION OF ALL SERVICES MUST BE OBTAINED FROM THE INDIVIDUAL UTILITIES BEFORE PROCEEDING WITH CONSTRUCTION. | | | | | | | | |
| --- | LAND DRAINAGE SEWER | --- | PROPERTY LINE | --- | RAMP CURB | --- | | | | | | | | | |
| --- | SANITARY/COMBINED SEWER | --- | SURVEY BAR | --- | PLANING/REMOVAL | --- | | | | | | | | | |
| --- | CB LEAD/SSP/DCP | --- | FENCE | --- | | --- | | | | | | | | | |
| --- | WATERMAIN | --- | BOC/EDGE OF PAVEMENT | --- | | --- | | | | | | | | | |
| --- | SUBDRAIN | --- | ELEVATION (33.333) | --- | | --- | | | | | | | | | |
| --- | DITCH | --- | TRAFFIC SIGN | --- | | --- | | | | | | | | | |
| --- | EXISTING | --- | LEGEND - PLAN | --- | LEGEND - PLAN | --- | | | | | | | | | |
| --- | NEW | --- | EXISTING | --- | LEGEND - PLAN | --- | | | | | | | | | |
| --- | NEW | --- | LEGEND - PLAN | --- | NEW | --- | | | | | | | | | |

ENGINEERS GEOSCIENTISTS MANITOBA
Certificate of Authorization
MORRISON HERSHFIELD
No. 1736

BID OPPORTUNITY No. 127-2018

MORRISON HERSHFIELD

PRELIMINARY DRAWING
NOT TO BE USED FOR CONSTRUCTION

THE CITY OF WINNIPEG
PUBLIC WORKS DEPARTMENT
ENGINEERING DIVISION

2018 LOCAL STREETS PACKAGE
DONNELLY STREET
CLARENCE AVE TO WALLER AVE
ASPHALT RECONSTRUCTION
PAVING AND GRADING
STA 0+225 TO STA 0+350

| | |
|---------------------|----------|
| CITY DRAWING NUMBER | N/A |
| SHEET OF | 14 OF 25 |
| DRAWING No. | 14 |