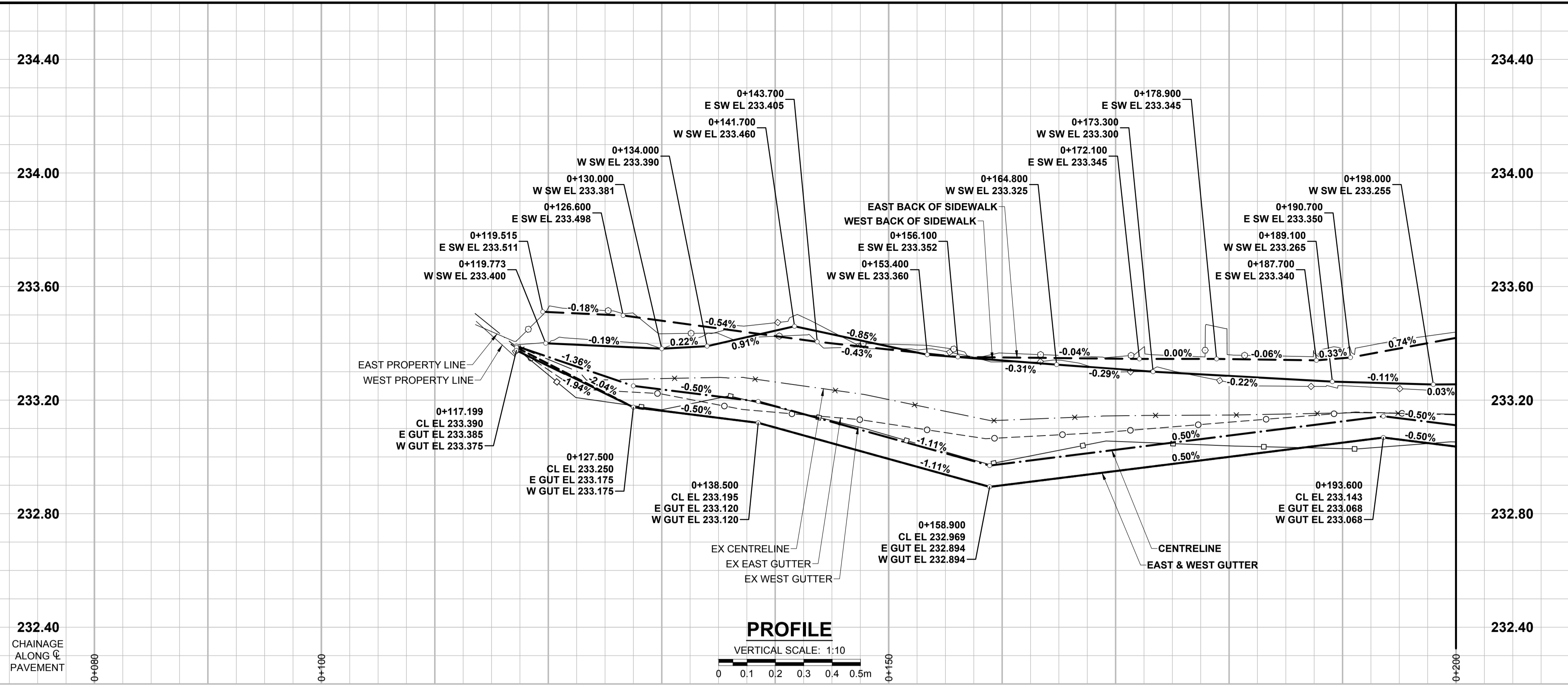
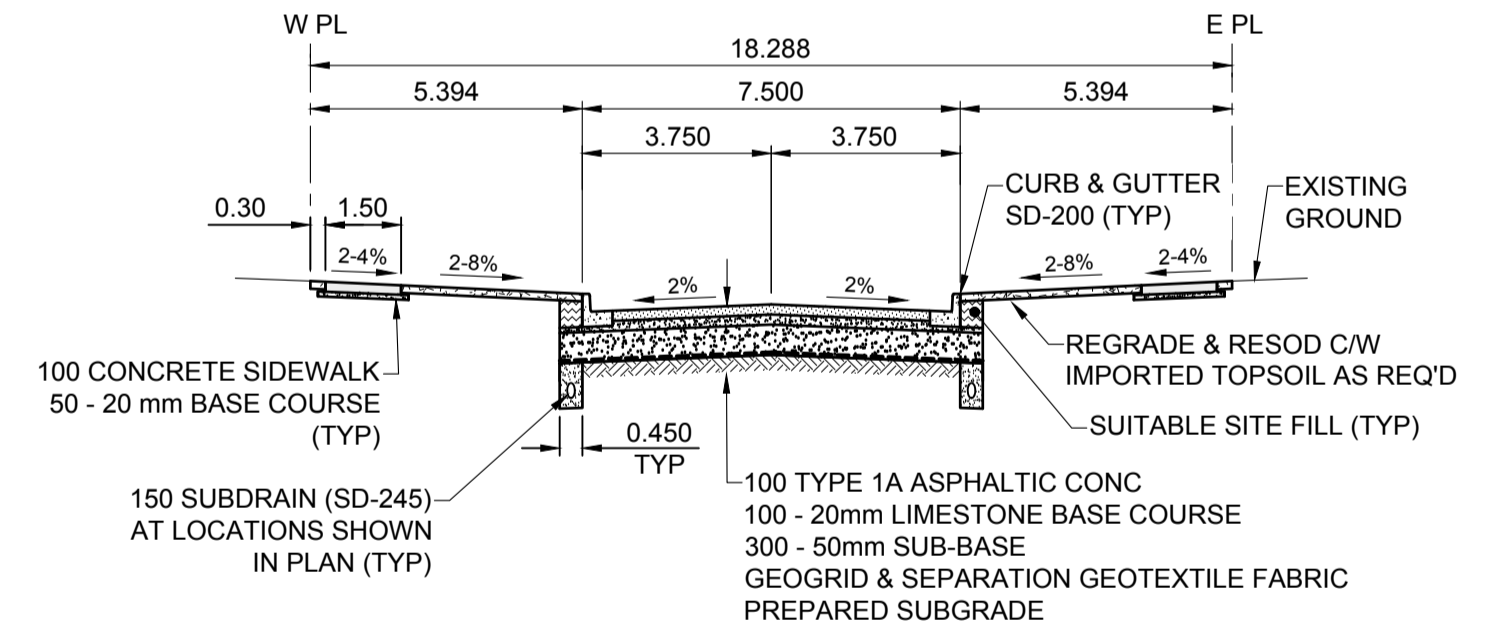
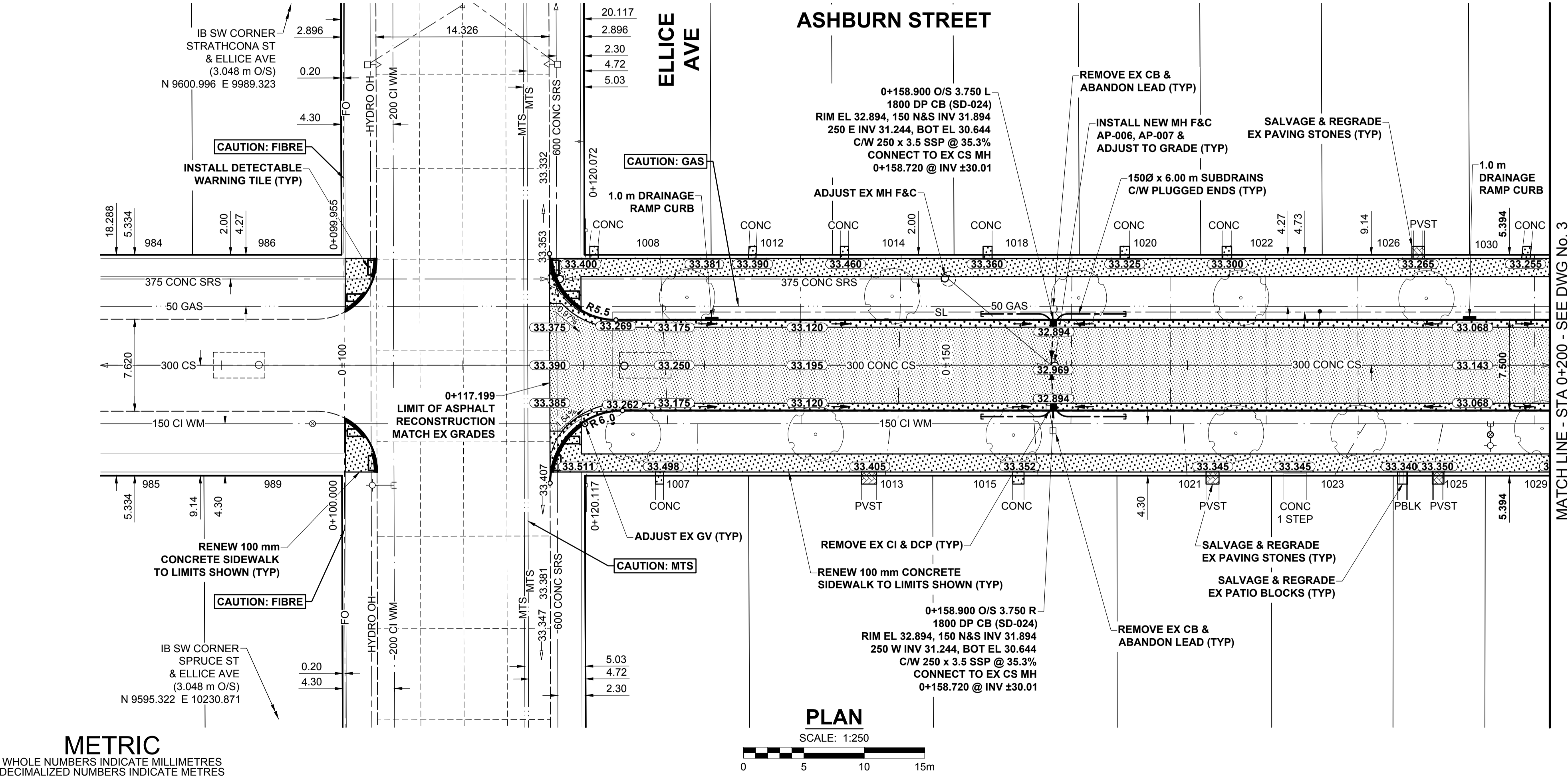


P:\2018\18050599\2018_Loc Streets Program\18-R-0709_CAD07_Sheets\18050599-Ashburn-PP-01.dwg Last Saved: 4/11/2018 10:19 AM by dilane Plotter: 4/11/2018 2:44 PM by Dave Lane



- NOTES**
- ADJUST MH AND CB RIMS TO NEW GRADES.
 - LAMP STANDARDS, HYDRO POLES, AND ANCHORS THAT REQUIRE TEMPORARY SUPPORT, REMOVAL OR REPLACEMENT, TO BE DONE SO AT THE EXPENSE OF THE CONTRACTOR AS NECESSARY.
 - CONTRACTOR TO REGRADE/RENEW EXISTING PRIVATE SIDEWALKS TO LIMITS AS SHOWN. SIDEWALKS TO BE RENEWED WITH CONCRETE UNLESS NOTED OTHERWISE.
 - CONTRACTOR TO TAKE PRECAUTIONARY STEPS TO PROTECT EXISTING TREES WITHIN THE LIMITS OF CONSTRUCTION FROM DAMAGE FROM CONSTRUCTION ACTIVITIES AS OUTLINED IN THE SPECIFICATIONS.
 - CONTRACTOR TO CONFIRM THE LOCATION OF ALL UTILITIES/SERVICES IN THE FIELD PRIOR TO CONSTRUCTION.
 - CB SD-023 & SD-024 OFFSETS ARE DIMENSIONED TO BOC. CB SD-025 OFFSETS ARE DIMENSIONED O.C.
 - IN GENERAL, PAVEMENT AND SIDEWALK AREAS TO BE REMOVED. MATCH RECONSTRUCTION LIMITS.
 - REFER TO BID OPPORTUNITY FOR DETAILS REGARDING TRAFFIC MANAGEMENT.
 - EXISTING LONG WATER SERVICES TO BE INSULATED (SD-018). REFER TO BID OPPORTUNITY FOR FURTHER REQUIREMENTS AND AS NOTED IN PLAN.
 - ALL COSTS, MATERIALS AND LABOR ASSOCIATED WITH THE RESTORATION OF THE CATHODIC PROTECTED WATERMAIN WILL BE RESPONSIBILITY OF THE CONTRACTOR.
 - MODIFIED BARRIER CURB & GUTTER INLET FRAME & COVER TF-122.
 - ADD 200.000 m TO ABBREVIATED ELEVATIONS TO OBTAIN GEODETIC ELEVATIONS.



METRIC
WHOLE NUMBERS INDICATE MILLIMETRES
DECIMALIZED NUMBERS INDICATE METRES

EXISTING	LEGEND - PLAN	NEW	EXISTING	LEGEND - PLAN	NEW	EXISTING	LEGEND - PLAN	NEW	
	GAS		MANHOLE		CONCRETE PAVEMENT		LOCATION APPROVED		BM 36-011
	MTS HANDWELL/PEDESTAL		CATCH BASIN/CATCH PIT		CONC SIDEWALK/MEDIAN		Bolt in 7.3 m Conc. pile, 0.6 m N. of N.L. of Sargent Ave. & 2.4 m W. of E.L. of Strathcona St.		ELEV 233.048 m
	HYDRO HANDWELL/CABINET		CURB INLET WITH BOX		ASPHALT PAVEMENT		DATE		SUPR. LIG. STRUCTURES COMMITTEE
	CATV/FIBRE OPTIC		TREE		PAVING STONE		NOTE:		DESIGNED BY RPB
	TRAFFIC SIGNALS/PIT		TEST HOLE		GRAVEL		LOCATION OF UNDERGROUND STRUCTURES AS SHOWN ARE BASED ON THE BEST INFORMATION AVAILABLE BUT NO GUARANTEE IS GIVEN THAT ALL EXISTING UTILITIES ARE SHOWN OR THAT THE GIVEN LOCATIONS ARE EXACT. CONFIRMATION OF EXISTENCE AND EXACT LOCATION OF ALL SERVICES MUST BE OBTAINED FROM THE INDIVIDUAL UTILITIES BEFORE PROCEEDING WITH CONSTRUCTION.		DRAWN BY KMB
	LAND DRAINAGE SEWER		PROPERTY LINE		RAMP CURB		ISSUED FOR TENDER		CHECKED BY WRJ
	SANITARY/COMBINED SEWER		SURVEY BAR		PLANING/REMOVAL		ISSUED FOR CLIENT REVIEW		APPROVED BY BWB
	CB LEAD/SSP/DCP		FENCE				REVISIONS		RELEASED FOR CONSTRUCTION
	WATERMAIN		BOC/EDGE OF PAVEMENT				DATE		CONSULTANT FILE NAME
	SUBDRAIN		ELEVATION (33.333)				DATE		NOT TO BE USED FOR CONSTRUCTION
	DITCH		TRAFFIC SIGN				DATE		CITY DRAWING NUMBER

LOCATION APPROVED
UNDERGROUND STRUCTURES

SUPR. LIG. STRUCTURES COMMITTEE

NOTE:
LOCATION OF UNDERGROUND STRUCTURES AS SHOWN ARE BASED ON THE BEST INFORMATION AVAILABLE BUT NO GUARANTEE IS GIVEN THAT ALL EXISTING UTILITIES ARE SHOWN OR THAT THE GIVEN LOCATIONS ARE EXACT. CONFIRMATION OF EXISTENCE AND EXACT LOCATION OF ALL SERVICES MUST BE OBTAINED FROM THE INDIVIDUAL UTILITIES BEFORE PROCEEDING WITH CONSTRUCTION.

No.	REVISIONS	DATE	BY
B	ISSUED FOR TENDER	18/04/12	RPB
A	ISSUED FOR CLIENT REVIEW	18/03/23	RPB

DESIGNED BY	RPB	CHECKED BY	WRJ
DRAWN BY	KMB	APPROVED BY	BWB
HOR SCALE	1:250	RELEASED FOR CONSTRUCTION	
VERT SCALE	1:10		
DATE	18/01/26		

PROFESSIONAL'S SEAL

PRELIMINARY DRAWING

NOT TO BE USED FOR CONSTRUCTION

CONSULTANT FILE NAME
1800599-Ashburn-PP-01.dwg

THE CITY OF WINNIPEG
PUBLIC WORKS DEPARTMENT
ENGINEERING DIVISION

2018 LOCAL STREETS PACKAGE
ASHBURN STREET
ELLICE AVE TO SARGENT AVE
ASPHALT RECONSTRUCTION
PAVING AND GRADING
ELLICE AVE TO STA 0+200

CITY DRAWING NUMBER: N/A
SHEET 2 OF 32
DRAWING No. 2

BID OPPORTUNITY No. 128-2018

