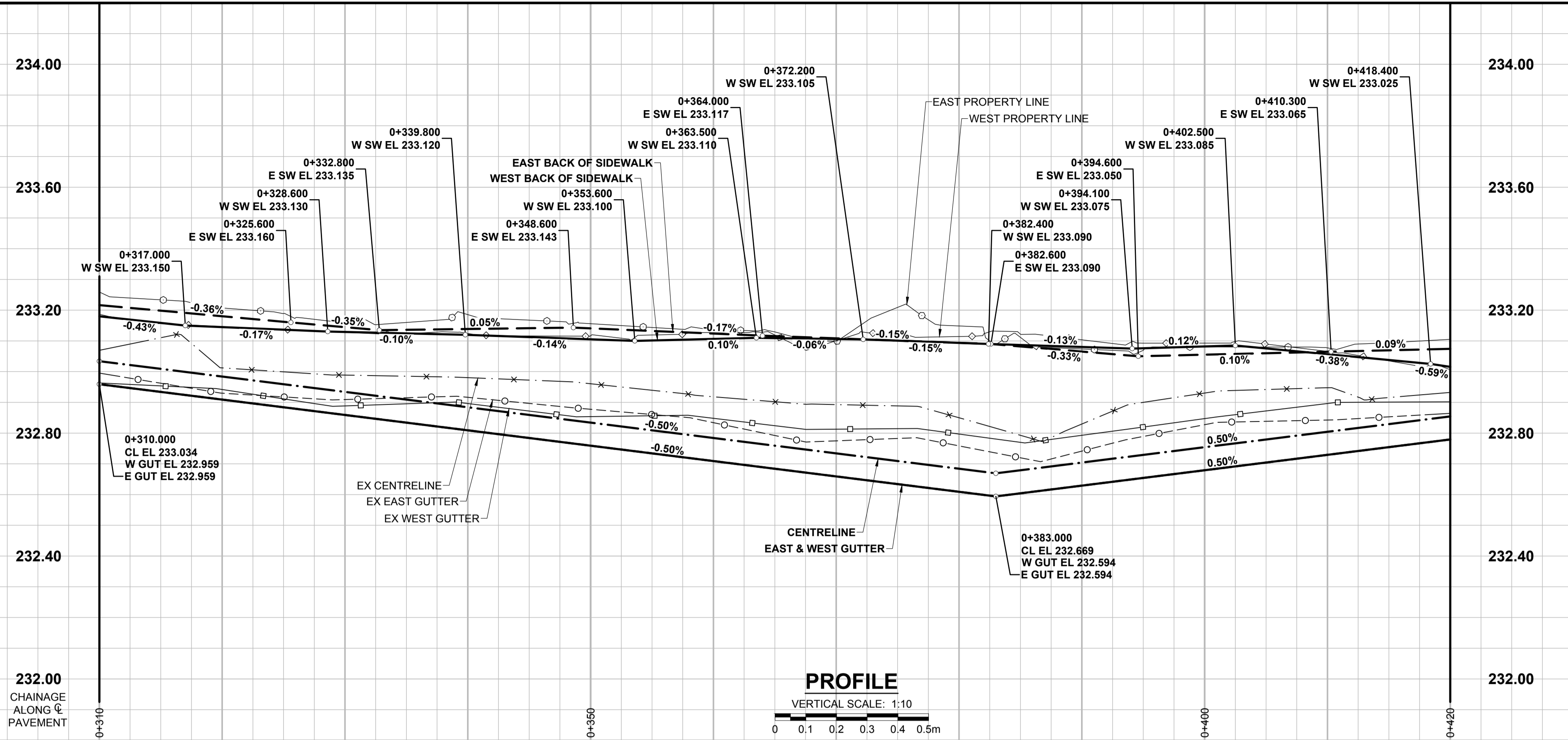
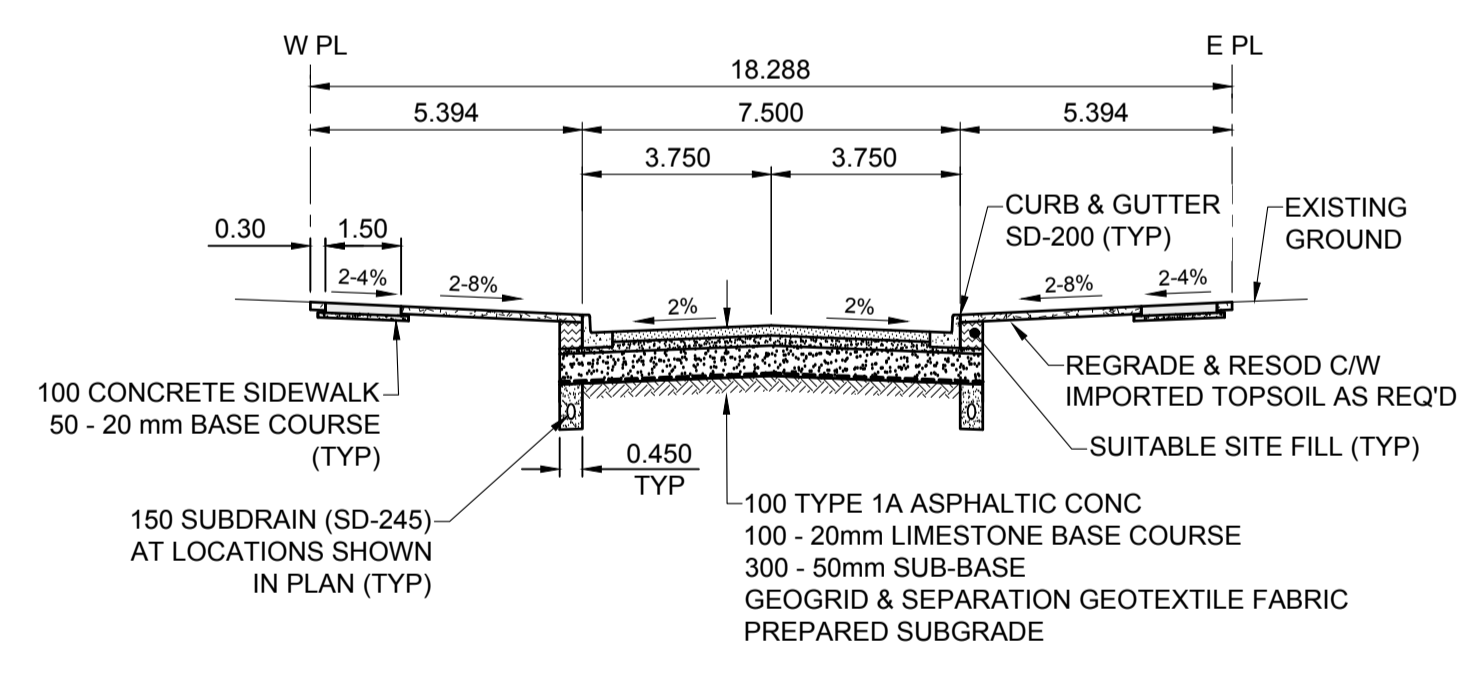
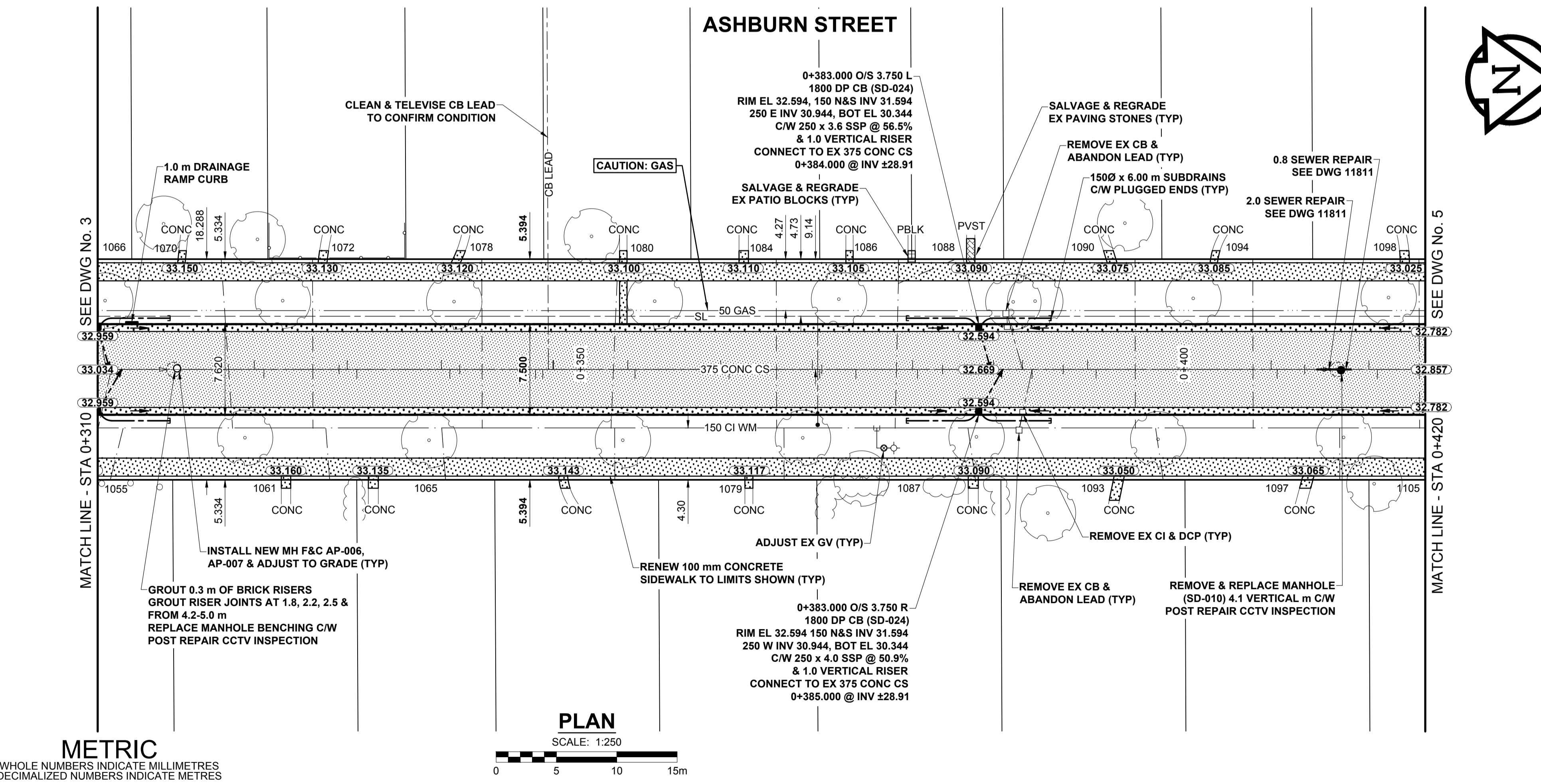


ISC A1 - 594mm x 841mm
P:\2018\1800599-2018 Local Streets Program\18-R-0709 CAD07_Sheets\1800599-Ashburn-PP-03.dwg
Last Saved: 4/11/2018 10:19 AM by dilan
Plotted: 4/17/2018 2:44 PM by Dave Lane



- NOTES**
- ADJUST MH AND CB RIMS TO NEW GRADES.
 - LAMP STANDARDS, HYDRO POLES, AND ANCHORS THAT REQUIRE TEMPORARY SUPPORT, REMOVAL OR REPLACEMENT, TO BE DONE SO AT THE EXPENSE OF THE CONTRACTOR AS NECESSARY.
 - CONTRACTOR TO REGRADE/RENEW EXISTING PRIVATE SIDEWALKS TO LIMITS AS SHOWN. SIDEWALKS TO BE RENEWED WITH CONCRETE UNLESS NOTED OTHERWISE.
 - CONTRACTOR TO TAKE PRECAUTIONARY STEPS TO PROTECT EXISTING TREES WITHIN THE LIMITS OF CONSTRUCTION FROM DAMAGE FROM CONSTRUCTION ACTIVITIES AS OUTLINED IN THE SPECIFICATIONS.
 - CONTRACTOR TO CONFIRM THE LOCATION OF ALL UTILITIES/SERVICES IN THE FIELD PRIOR TO CONSTRUCTION.
 - CB SD-023 & SD-024 OFFSETS ARE DIMENSIONED TO BOC. CB SD-025 OFFSETS ARE DIMENSIONED O.C.
 - IN GENERAL, PAVEMENT AND SIDEWALK AREAS TO BE REMOVED. MATCH RECONSTRUCTION LIMITS.
 - REFER TO BID OPPORTUNITY FOR DETAILS REGARDING TRAFFIC MANAGEMENT.
 - EXISTING LONG WATER SERVICES TO BE INSULATED (SD-018). REFER TO BID OPPORTUNITY FOR FURTHER REQUIREMENTS AND AS NOTED IN PLAN.
 - ALL COSTS, MATERIALS AND LABOR ASSOCIATED WITH THE RESTORATION OF THE CATHODIC PROTECTED WATERMAIN WILL BE RESPONSIBILITY OF THE CONTRACTOR.
 - MODIFIED BARRIER CURB & GUTTER INLET FRAME & COVER TF-122.
 - ADD 200.000 m TO ABBREVIATED ELEVATIONS TO OBTAIN GEODETIC ELEVATIONS.



TYPICAL PAVEMENT SECTION
ASPHALT PAVEMENT STRUCTURE
SCALE: NTS

METRIC		WHOLE NUMBERS INDICATE MILLIMETRES DECIMAL NUMBERS INDICATE METRES	
---	GAS	○	MANHOLE
---	MTS HANDWELL/PEDESTAL	□	CATCH BASIN/CATCH PIT
---	HYDRO HANDWELL/CABINET	△	CURB INLET WITH BOX
---	CATV/FIBRE OPTIC	○	TREE
---	TRAFFIC SIGNALS/PIT	⊕	TEST HOLE
---	LAND DRAINAGE SEWER	---	PROPERTY LINE
---	SANITARY/COMBINED SEWER	---	SURVEY BAR
---	CB LEAD/SSP/DCP	---	FENCE
---	WATERMAIN	---	BOC/EDGE OF PAVEMENT
---	SUBDRAIN	---	ELEVATION
---	DITCH	---	TRAFFIC SIGN
---	EXISTING	---	NEW
---	LEGEND - PLAN	---	LEGEND - PLAN

CONCRETE PAVEMENT		CONCRETE SIDEWALK/MEDIAN		ASPHALT PAVEMENT		PAVING STONE		GRAVEL		RAMP CURB		PLANING/REMOVAL	
---	EXISTING	---	NEW	---	EXISTING	---	NEW	---	EXISTING	---	NEW	---	EXISTING
---	LEGEND - PLAN	---	LEGEND - PLAN	---	LEGEND - PLAN	---	LEGEND - PLAN	---	LEGEND - PLAN	---	LEGEND - PLAN	---	LEGEND - PLAN

LOCATION APPROVED UNDERGROUND STRUCTURES		SURF. U/G STRUCTURES		DATE	
---	EXISTING	---	NEW	---	DATE
---	LEGEND - PLAN	---	LEGEND - PLAN	---	DATE

THE CITY OF WINNIPEG PUBLIC WORKS DEPARTMENT ENGINEERING DIVISION

2018 LOCAL STREETS PACKAGE ASHBURN STREET ELLICE AVE TO SARGENT AVE ASPHALT RECONSTRUCTION PAVING AND GRADING STA 0+310 TO STA 0+420

PRELIMINARY DRAWING

NOT TO BE USED FOR CONSTRUCTION

CONTRACTOR: MORRISON HERSHFIELD

DESIGNED BY: RPB | CHECKED BY: WRJ
DRAWN BY: KMB | APPROVED BY: BWB

ISSUED FOR TENDER: 18/04/12 | RPB
ISSUED FOR CLIENT REVIEW: 18/03/23 | RPB

REVISIONS: Y/M/MDD | BY: DATE | 18/01/26

CONSULTANT FILE NAME: 1800599-Ashburn-PP-03.dwg

CITY DRAWING NUMBER: N/A
SHEET 4 OF 32
DRAWING No. 4