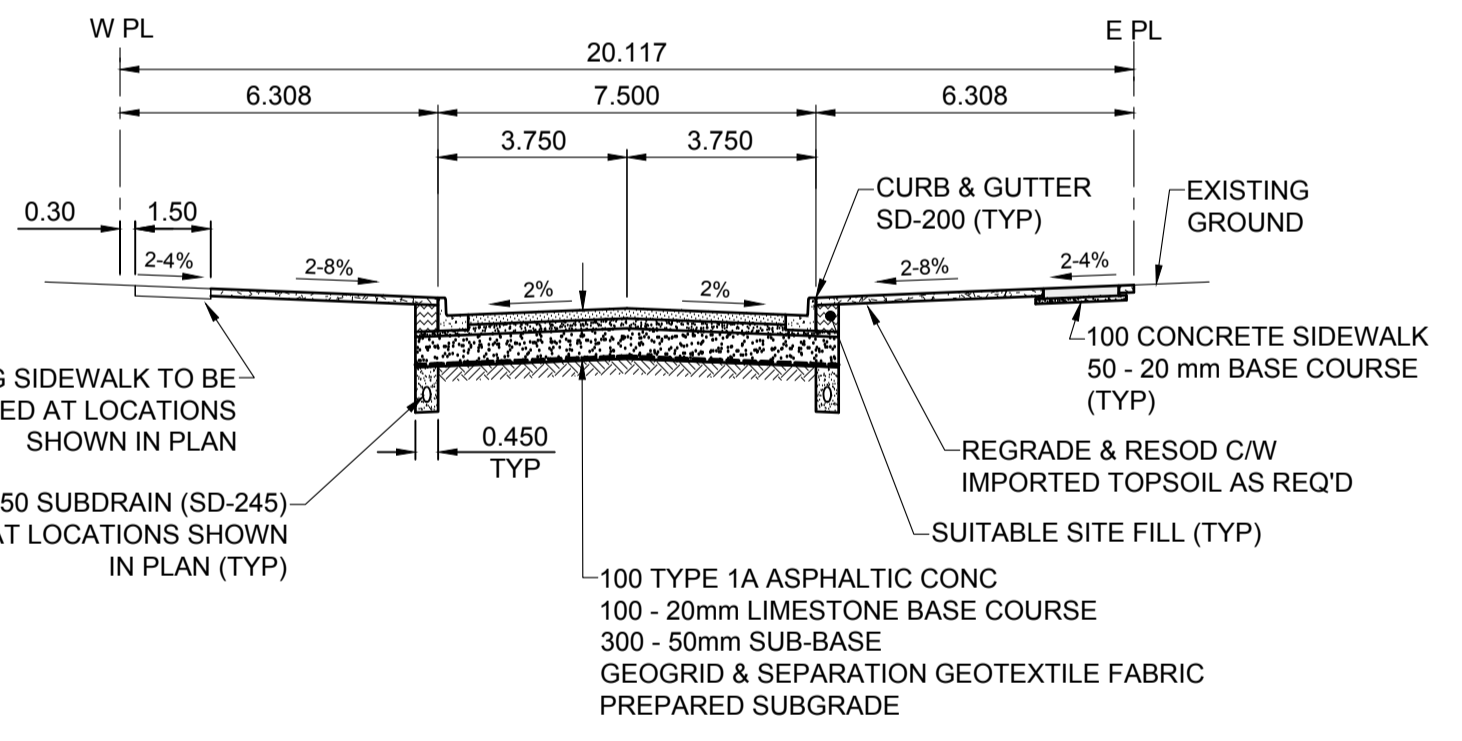
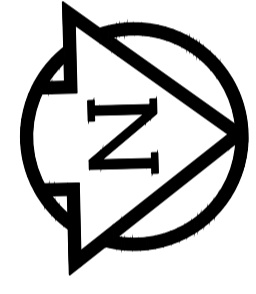
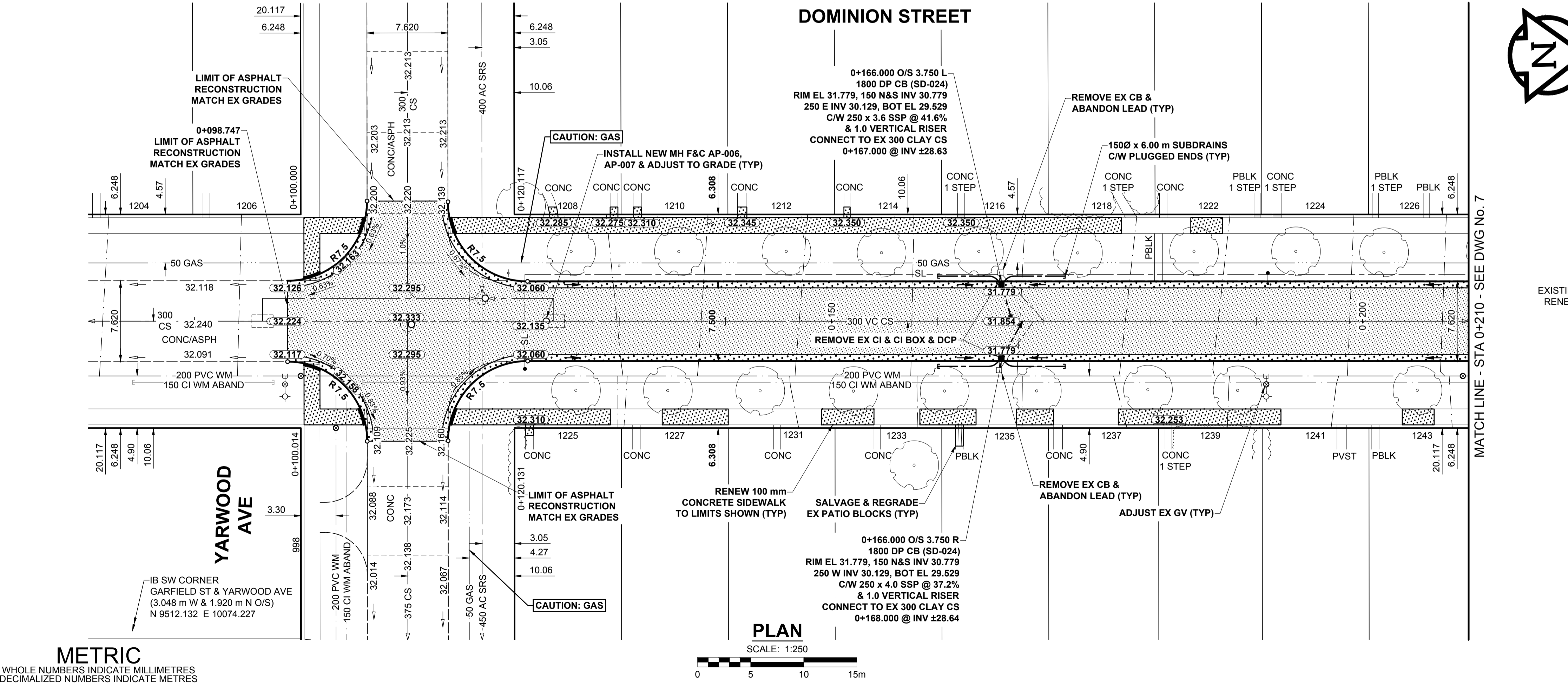
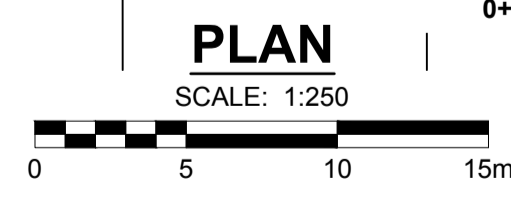


- NOTES**
- ADJUST MH AND CB RIMS TO NEW GRADES.
 - LAMP STANDARDS, HYDRO POLES, AND ANCHORS THAT REQUIRE TEMPORARY SUPPORT, REMOVAL OR REPLACEMENT, TO BE DONE SO AT THE EXPENSE OF THE CONTRACTOR AS NECESSARY.
 - CONTRACTOR TO REGRADE/RENEW EXISTING PRIVATE SIDEWALKS TO LIMITS AS SHOWN. SIDEWALKS TO BE RENEWED WITH CONCRETE UNLESS NOTED OTHERWISE.
 - CONTRACTOR TO TAKE PRECAUTIONARY STEPS TO PROTECT EXISTING TREES WITHIN THE LIMITS OF CONSTRUCTION FROM DAMAGE FROM CONSTRUCTION ACTIVITIES AS OUTLINED IN THE SPECIFICATIONS.
 - CONTRACTOR TO CONFIRM THE LOCATION OF ALL UTILITIES/SERVICES IN THE FIELD PRIOR TO CONSTRUCTION.
 - CB SD-023 & SD-024 OFFSETS ARE DIMENSIONED TO BOC. CB SD-025 OFFSETS ARE DIMENSIONED O/C.
 - IN GENERAL, PAVEMENT AND SIDEWALK AREAS TO BE REMOVED. MATCH RECONSTRUCTION LIMITS.
 - REFER TO BID OPPORTUNITY FOR DETAILS REGARDING TRAFFIC MANAGEMENT.
 - EXISTING LONG WATER SERVICES TO BE INSULATED (SD-018). REFER TO BID OPPORTUNITY FOR FURTHER REQUIREMENTS AND AS NOTED IN PLAN.
 - ALL COSTS, MATERIALS AND LABOR ASSOCIATED WITH THE RESTORATION OF THE CATHODIC PROTECTED WATERMAIN WILL BE RESPONSIBILITY OF THE CONTRACTOR.
 - MODIFIED BARRIER CURB & GUTTER INLET FRAME & COVER TF-122.
 - ADD 200.000 m TO ABBREVIATED ELEVATIONS TO OBTAIN GEODETIC ELEVATIONS.



TYPICAL PAVEMENT SECTION
ASPHALT PAVEMENT STRUCTURE
SCALE: NTS

METRIC
WHOLE NUMBERS INDICATE MILLIMETRES
DECIMALIZED NUMBERS INDICATE METRES



GAS		MANHOLE		CONCRETE PAVEMENT	
	GAS		MANHOLE		CONCRETE PAVEMENT
	MTS HANDWELL/PEDESTAL		CATCH BASIN/CATCH PIT		CONC SIDEWALK/MEDIAN
	HYDRO HANDWELL/CABINET		CURB INLET WITH BOX		ASPHALT PAVEMENT
	CATV/FIBRE OPTIC		TREE		PAVING STONE
	TRAFFIC SIGNALS/PIT		TEST HOLE		GRAVEL
	LAND DRAINAGE SEWER		PROPERTY LINE		RAMP CURB
	SANITARY/COMBINED SEWER		SURVEY BAR		PLANING/REMOVAL
	CB LEAD/SSP/DCP		FENCE		
	WATERMAIN		BOC/EDGE OF PAVEMENT		
	SUBDRAIN		ELEVATION (33.000)		
	DITCH		TRAFFIC SIGN		
	EXISTING		LEGEND - PLAN		EXISTING
	NEW		LEGEND - PLAN		NEW

LOCATION APPROVED
UNDERGROUND STRUCTURES

SUPR. U/G STRUCTURES COMMITTEE DATE

NOTE:
LOCATION OF UNDERGROUND STRUCTURES AS SHOWN ARE BASED ON THE BEST INFORMATION AVAILABLE BUT NO GUARANTEE IS GIVEN THAT ALL EXISTING UTILITIES ARE SHOWN OR THAT THE GIVEN LOCATIONS ARE EXACT. CONFIRMATION OF EXISTENCE AND EXACT LOCATION OF ALL SERVICES MUST BE OBTAINED FROM THE INDIVIDUAL UTILITIES BEFORE PROCEEDING WITH CONSTRUCTION.

BM 36-048	ELEV 232.513 m	S. side Notre Dame Ave. Btwn. Downing St. & Dominion St. Tab in N. Conc. Foundation No. 1134 Notre Dame Ave. (Clifton Apts.), 1 m W. & 0.7 m below stucco of N.E. Cor. of Bldg.												
<table border="1"> <tr> <th>No.</th> <th>REVISIONS</th> <th>DATE</th> <th>BY</th> </tr> <tr> <td>B</td> <td>ISSUED FOR TENDER</td> <td>18/04/12</td> <td>RPB</td> </tr> <tr> <td>A</td> <td>ISSUED FOR CLIENT REVIEW</td> <td>18/03/23</td> <td>RPB</td> </tr> </table>			No.	REVISIONS	DATE	BY	B	ISSUED FOR TENDER	18/04/12	RPB	A	ISSUED FOR CLIENT REVIEW	18/03/23	RPB
No.	REVISIONS	DATE	BY											
B	ISSUED FOR TENDER	18/04/12	RPB											
A	ISSUED FOR CLIENT REVIEW	18/03/23	RPB											



DESIGNED BY	RPB	CHECKED BY	WRJ
DRAWN BY	DML	APPROVED BY	BWB
HOR SCALE		RELEASED FOR CONSTRUCTION	
VERT SCALE		DATE	
1:250		18/01/26	
1:10		DATE	

PROFESSIONAL'S SEAL

PRELIMINARY DRAWING

NOT TO BE USED FOR CONSTRUCTION

CONSULTANT FILE NAME
1800599-Dominion-PP-01.dwg

THE CITY OF WINNIPEG
PUBLIC WORKS DEPARTMENT
ENGINEERING DIVISION

2018 LOCAL STREETS PACKAGE
DOMINION STREET
YARWOOD AVE TO NOTRE DAME AVE
ASPHALT RECONSTRUCTION
PAVING AND GRADING
YARWOOD AVE TO STA 0+210

CITY DRAWING NUMBER: N/A
SHEET 6 OF 32
DRAWING No. 6

BID OPPORTUNITY No. 128-2018