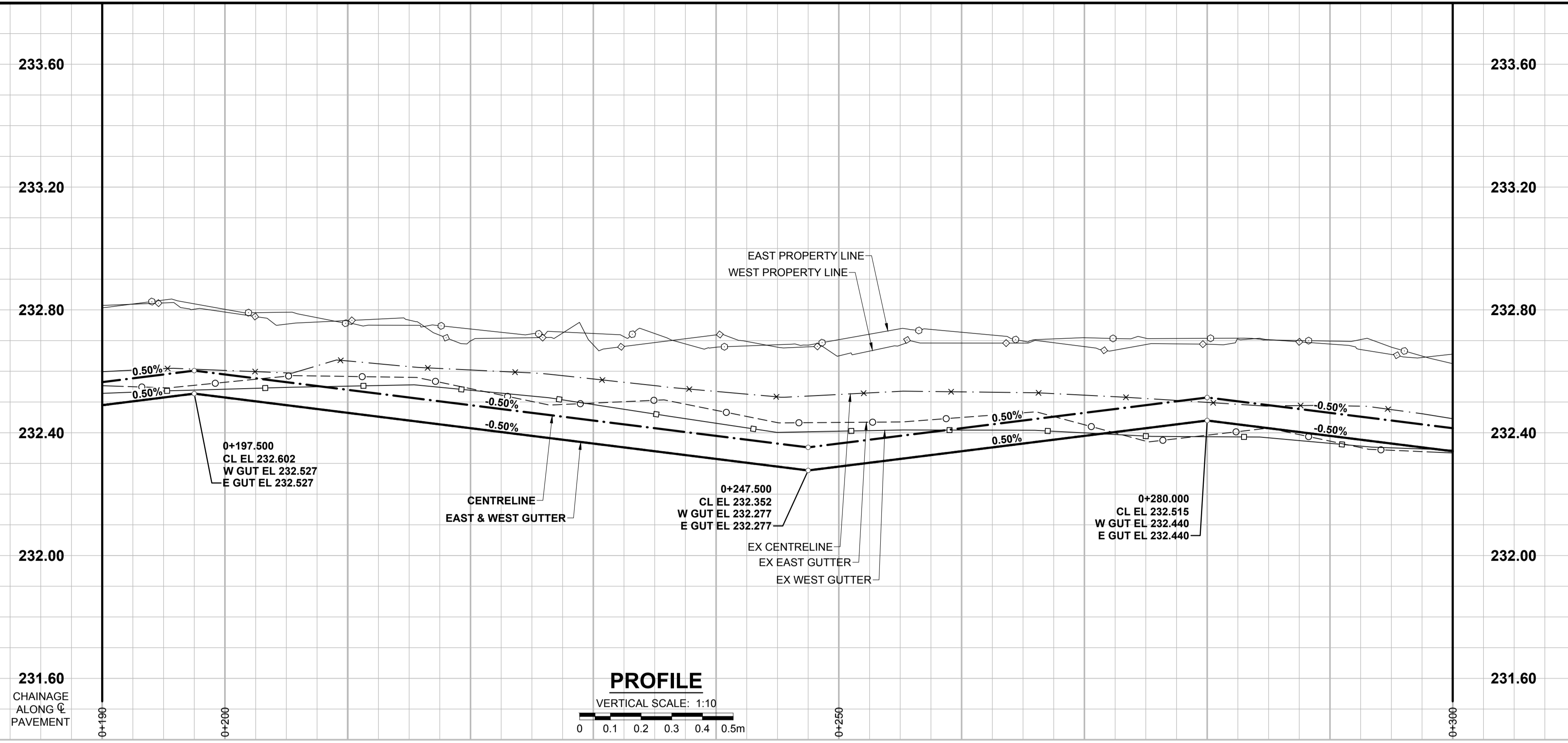


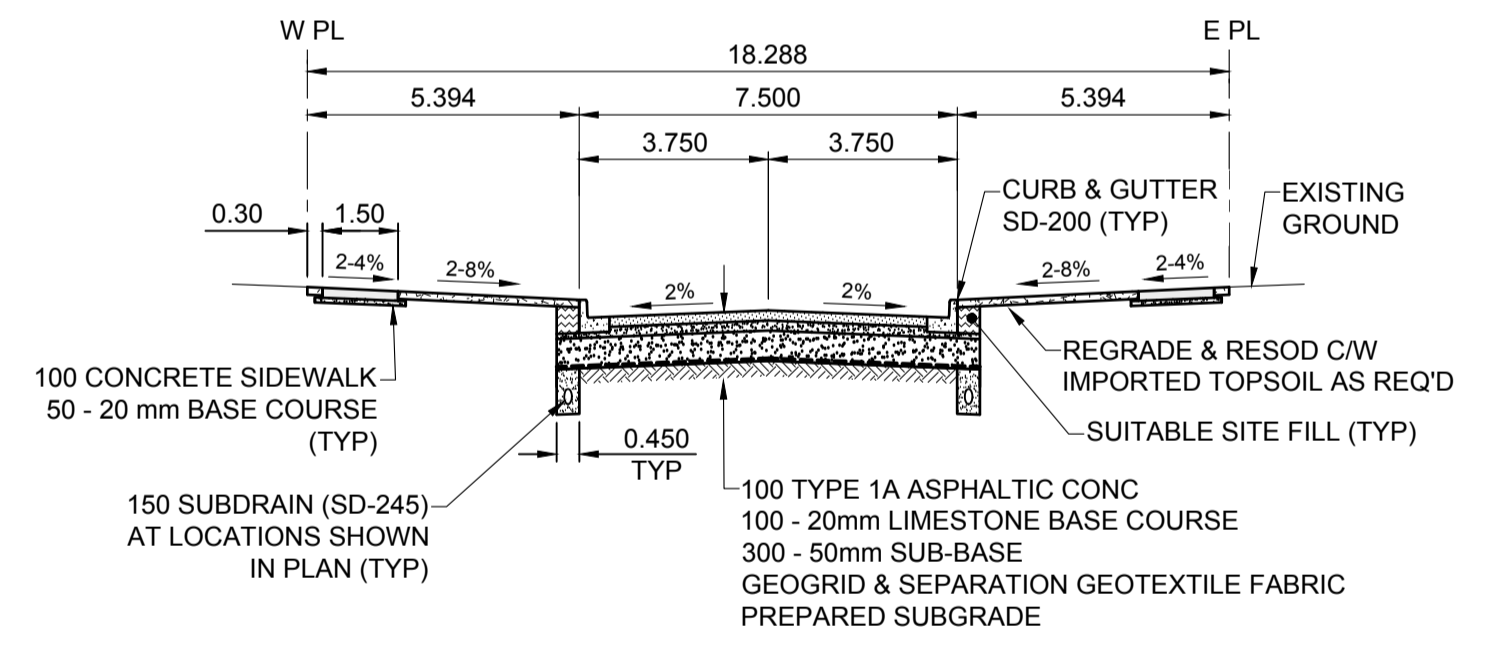
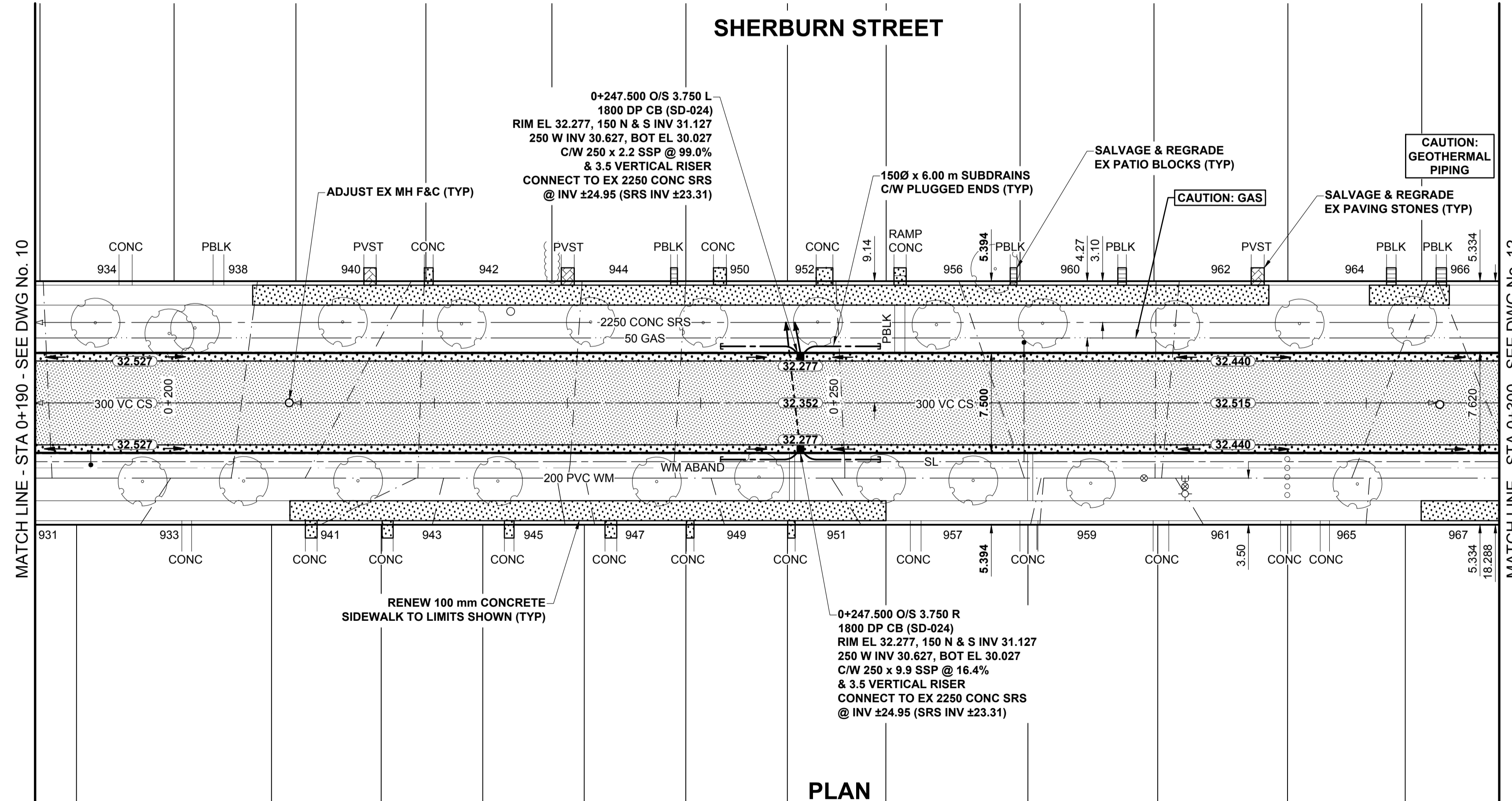
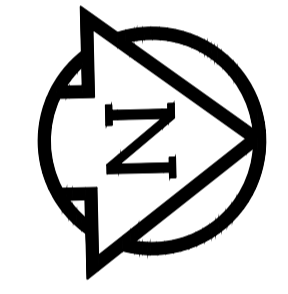
ISO A1 - 594mm x 841mm

P:\2018\1800599\2018_Loc Streets Program\18-R-0709_CAD07_Sheets\1800599-Sherburn-PP-02.dwg Last Saved: 4/16/2018 7:38 AM by dlane Plotted: 4/17/2018 2:47 PM by Dave Lane



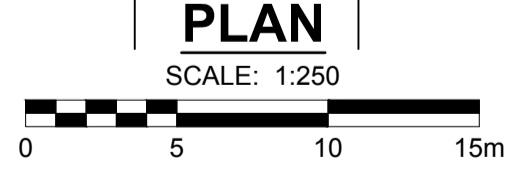
- NOTES**
- ADJUST MH AND CB RIMS TO NEW GRADES.
 - LAMP STANDARDS, HYDRO POLES, AND ANCHORS THAT REQUIRE TEMPORARY SUPPORT, REMOVAL OR REPLACEMENT, TO BE DONE SO AT THE EXPENSE OF THE CONTRACTOR AS NECESSARY.
 - CONTRACTOR TO REGRADE/RENEW EXISTING PRIVATE SIDEWALKS TO LIMITS AS SHOWN. SIDEWALKS TO BE RENEWED WITH CONCRETE UNLESS NOTED OTHERWISE.
 - CONTRACTOR TO TAKE PRECAUTIONARY STEPS TO PROTECT EXISTING TREES WITHIN THE LIMITS OF CONSTRUCTION FROM DAMAGE FROM CONSTRUCTION ACTIVITIES AS OUTLINED IN THE SPECIFICATIONS.
 - CONTRACTOR TO CONFIRM THE LOCATION OF ALL UTILITIES/SERVICES IN THE FIELD PRIOR TO CONSTRUCTION.
 - CB SD-023 & SD-024 OFFSETS ARE DIMENSIONED TO BOC. CB SD-025 OFFSETS ARE DIMENSIONED O.C.
 - IN GENERAL, PAVEMENT AND SIDEWALK AREAS TO BE REMOVED. MATCH RECONSTRUCTION LIMITS.
 - REFER TO BID OPPORTUNITY FOR DETAILS REGARDING TRAFFIC MANAGEMENT.
 - EXISTING LONG WATER SERVICES TO BE INSULATED (SD-018). REFER TO BID OPPORTUNITY FOR FURTHER REQUIREMENTS AND AS NOTED IN PLAN.
 - ADD 200.000 m TO ABBREVIATED ELEVATIONS TO OBTAIN GEODETIC ELEVATIONS.

SHERBURN STREET



TYPICAL PAVEMENT SECTION
ASPHALT PAVEMENT STRUCTURE
SCALE: NTS

METRIC
WHOLE NUMBERS INDICATE MILLIMETRES
DECIMALIZED NUMBERS INDICATE METRES



---	GAS	○	MANHOLE	●	CONCRETE PAVEMENT	▨	LOCATION APPROVED
⊕	MTS HANDWELL/PEDESTAL	□	CATCH BASIN/CATCH PIT	■	CONC SIDEWALK/MEDIAN	▩	UNDERGROUND STRUCTURES
⊕	HYDRO HANDWELL/CABINET	△	CURB INLET WITH BOX	▲	ASPHALT PAVEMENT	▨	
---	CATV/FIBRE OPTIC	○	TREE	○	PAVING STONE	▨	
⊕	TRAFFIC SIGNALS/PIT	⊕	TEST HOLE	⊕	GRAVEL	▨	
---	LAND DRAINAGE SEWER	⊕	PROPERTY LINE	---	RAMP CURB	▨	
---	SANITARY/COMBINED SEWER	⊕	SURVEY BAR	---	PLANING/REMOVAL	▨	
---	CB LEAD/SSP/DCP	⊕	FENCE	---			
---	WATERMAIN	---	BOC/EDGE OF PAVEMENT	---			
---	SUBDRAIN	---	ELEVATION (33.333)	---			
---	DITCH	---	TRAFFIC SIGN	---			
---	EXISTING	---	LEGEND - PLAN	---	EXISTING	---	LEGEND - PLAN
---	NEW	---	LEGEND - PLAN	---	NEW	---	LEGEND - PLAN

LOCATION APPROVED
UNDERGROUND STRUCTURES

SUPR. U/G STRUCTURES COMMITTEE DATE

NOTE:
LOCATION OF UNDERGROUND STRUCTURES AS SHOWN ARE BASED ON THE BEST INFORMATION AVAILABLE BUT NO GUARANTEE IS GIVEN THAT ALL EXISTING UTILITIES ARE SHOWN OR THAT THE GIVEN LOCATIONS ARE EXACT. CONFIRMATION OF EXISTENCE AND EXACT LOCATION OF ALL SERVICES MUST BE OBTAINED FROM THE INDIVIDUAL UTILITIES BEFORE PROCEEDING WITH CONSTRUCTION.

BM 36-011	Bolt in 7.3 m Conc. pile, 0.6 m N. of Sargent Ave. & 2.4 m W. of E.L. of Strathcona St.	ELEV 233.048 m
DESIGNED BY JGK		
CHECKED BY RPB		
DRAWN BY DML		
APPROVED BY BWB		
RELEASED FOR CONSTRUCTION		
B	ISSUED FOR TENDER	18/04/12 JGK
A	ISSUED FOR CLIENT REVIEW	18/03/23 JGK
No.	REVISIONS	YY/MM/DD BY DATE

MORRISON HERSHFIELD

DESIGNED BY JGK

CHECKED BY RPB

DRAWN BY DML

APPROVED BY BWB

RELEASED FOR CONSTRUCTION

HOR SCALE 1:250

VERT SCALE 1:10

DATE 18/01/26

PROFESSIONAL'S SEAL

PRELIMINARY DRAWING

NOT TO BE USED FOR CONSTRUCTION

CONSULTANT FILE NAME
1800599-Sherburn-PP-02.dwg

THE CITY OF WINNIPEG
PUBLIC WORKS DEPARTMENT
ENGINEERING DIVISION

2018 LOCAL STREETS PACKAGE
SHERBURN STREET
SARGENT AVE TO WELLINGTON AVE
ASPHALT RECONSTRUCTION
PAVING AND GRADING
STA 0+190 TO STA 0+300

CITY DRAWING NUMBER N/A

SHEET 11 OF 32

DRAWING No. 11

BID OPPORTUNITY No. 128-2018