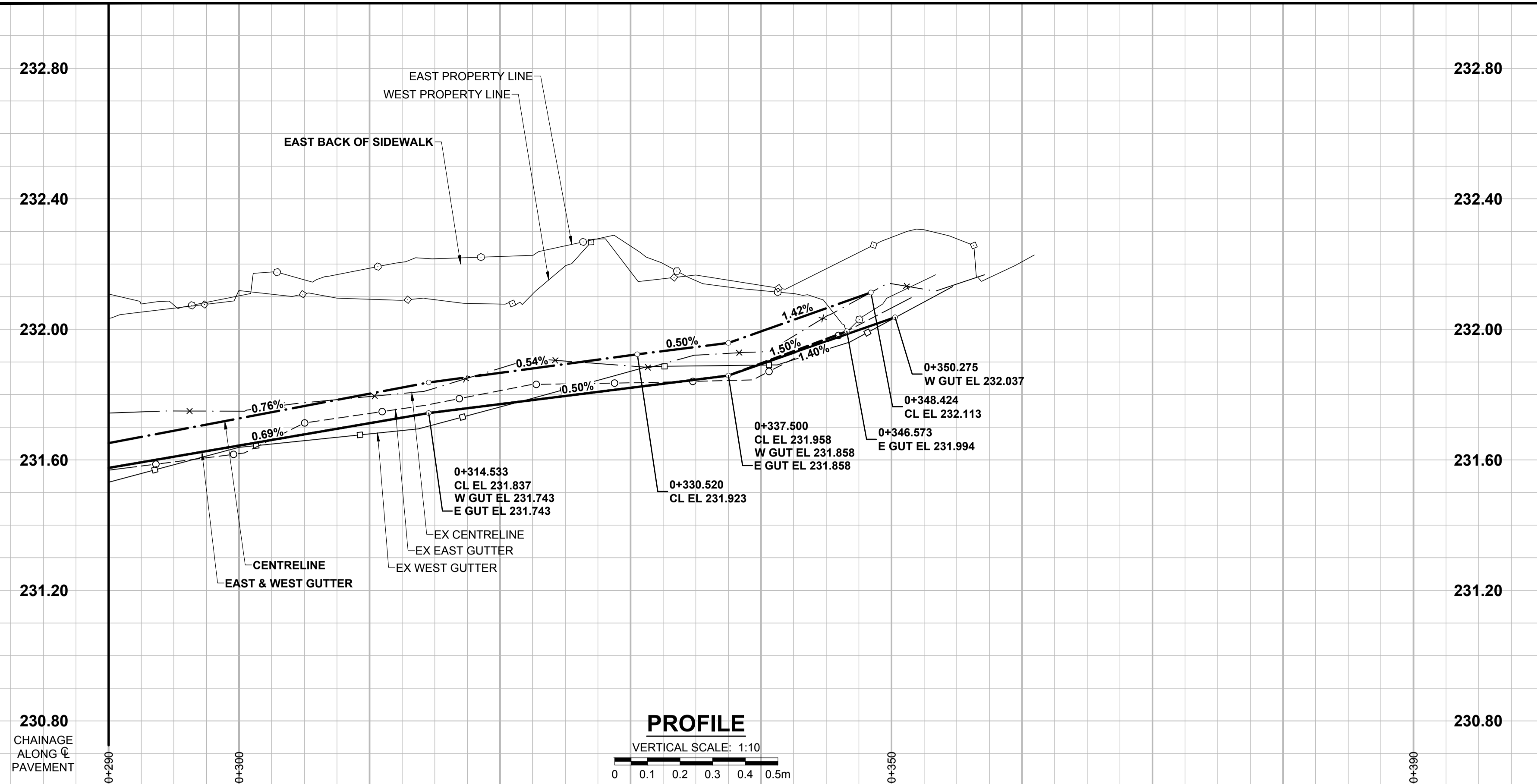
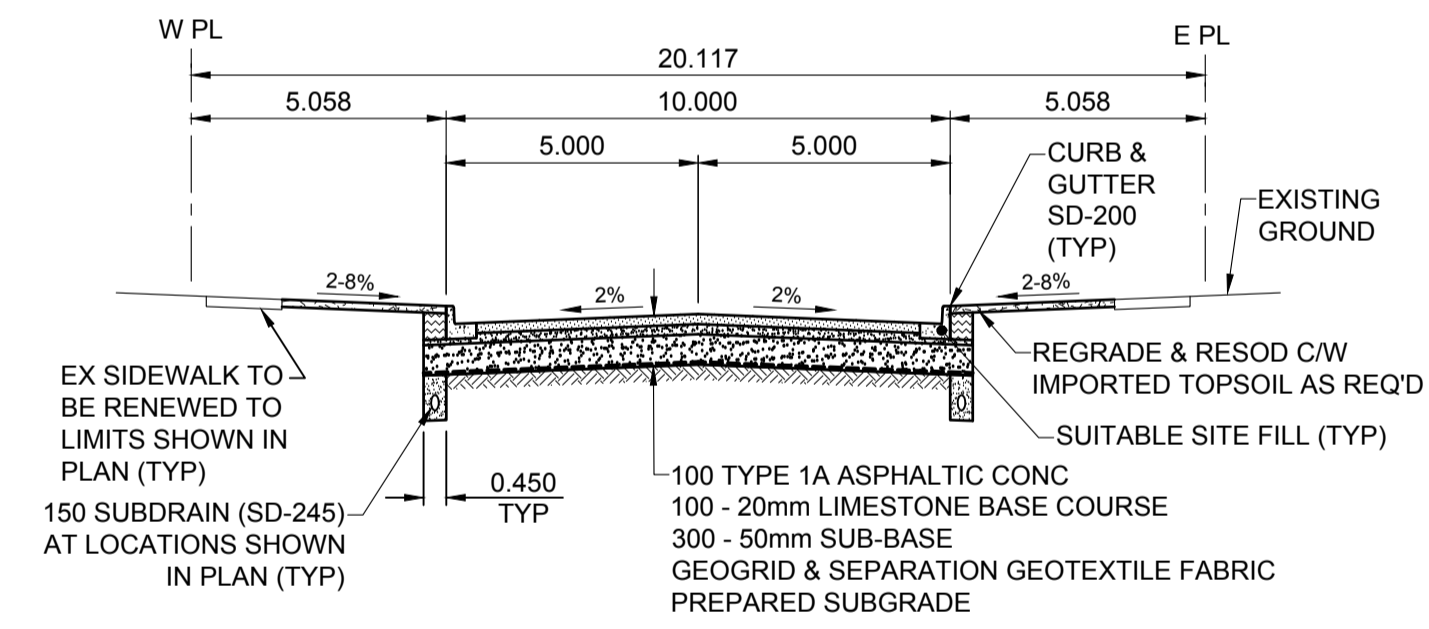
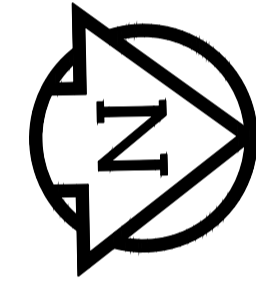
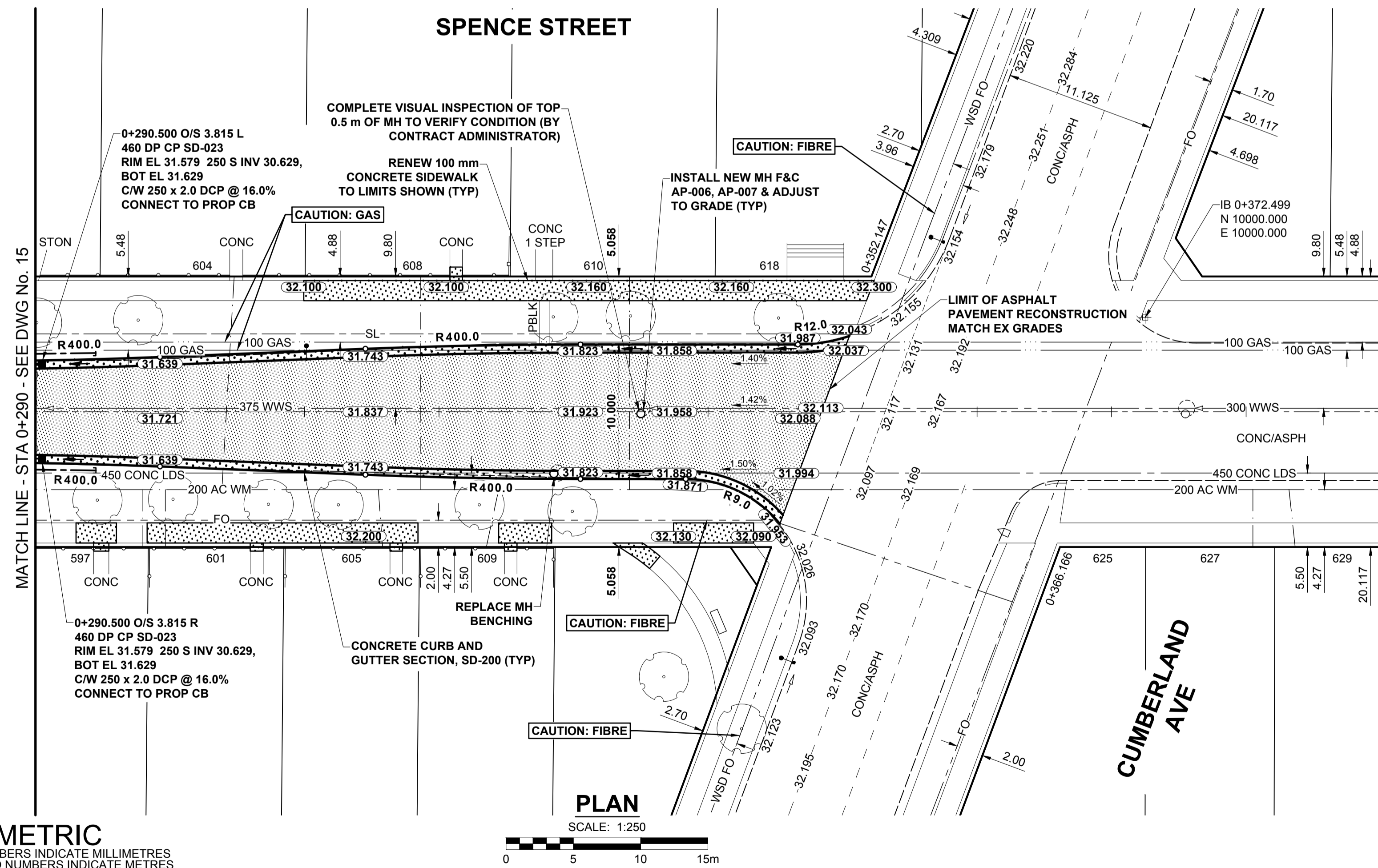


P:\2018\1800599\2018 Local Streets Program\18-R-0709 CAD07_Sheets\1800599-Spence-PP-03.dwg
 Last Saved: 4/17/2018 10:34 AM by Diane Plattner 4/17/2018 2:48 PM by Dave Lane
 ISO A1 - 594mm x 841mm



- NOTES**
- ADJUST MH AND CB RIMS TO NEW GRADES.
 - LAMP STANDARDS, HYDRO POLES, AND ANCHORS THAT REQUIRE TEMPORARY SUPPORT, REMOVAL OR REPLACEMENT, TO BE DONE SO AT THE EXPENSE OF THE CONTRACTOR AS NECESSARY.
 - CONTRACTOR TO REGRADE/RENEW EXISTING PRIVATE SIDEWALKS TO LIMITS AS SHOWN. SIDEWALKS TO BE RENEWED WITH CONCRETE UNLESS NOTED OTHERWISE.
 - CONTRACTOR TO TAKE PRECAUTIONARY STEPS TO PROTECT EXISTING TREES WITHIN THE LIMITS OF CONSTRUCTION FROM DAMAGE FROM CONSTRUCTION ACTIVITIES AS OUTLINED IN THE SPECIFICATIONS.
 - CONTRACTOR TO CONFIRM THE LOCATION OF ALL UTILITIES/SERVICES IN THE FIELD PRIOR TO CONSTRUCTION.
 - CB SD-023 & SD-024 OFFSETS ARE DIMENSIONED TO BOC. CB SD-025 OFFSETS ARE DIMENSIONED O/C.
 - IN GENERAL, PAVEMENT AND SIDEWALK AREAS TO BE REMOVED. MATCH RECONSTRUCTION LIMITS.
 - REFER TO BID OPPORTUNITY FOR DETAILS REGARDING TRAFFIC MANAGEMENT.
 - EXISTING LONG WATER SERVICES TO BE INSULATED (SD-018). REFER TO BID OPPORTUNITY FOR FURTHER REQUIREMENTS AND AS NOTED IN PLAN.
 - ALL COSTS, MATERIALS AND LABOR ASSOCIATED WITH THE RESTORATION OF THE CATHODIC PROTECTED WATERMAIN WILL BE RESPONSIBILITY OF THE CONTRACTOR.
 - MODIFIED BARRIER CURB & GUTTER INLET FRAME & COVER TF-122.
 - ADD 200.000 m TO ABBREVIATED ELEVATIONS TO OBTAIN GEODETIC ELEVATIONS.



METRIC
WHOLE NUMBERS INDICATE MILLIMETRES
DECIMALIZED NUMBERS INDICATE METRES

---	GAS	○	MANHOLE	●	CONCRETE PAVEMENT
---	MTS HANDWELL/PEDESTAL	□	CATCH BASIN/CATCH PIT	■	CONC SIDEWALK/MEDIAN
---	HYDRO HANDWELL/CABINET	△	CURB INLET WITH BOX	▲	ASPHALT PAVEMENT
---	CATV/FIBRE OPTIC	○	TREE	○	PAVING STONE
---	TRAFFIC SIGNALS/PIT	⊕	TEST HOLE	⊕	GRAVEL
---	LAND DRAINAGE SEWER	⊕	PROPERTY LINE	---	RAMP CURB
---	SANITARY/COMBINED SEWER	⊕	SURVEY BAR	---	PLANING/REMOVAL
---	CB LEAD/SSP/DCP	---	FENCE	---	
---	WATERMAIN	---	BOC/EDGE OF PAVEMENT	---	
---	SUBDRAIN	---	ELEVATION	(33.333)	
---	DITCH	---	TRAFFIC SIGN	---	
---	EXISTING	---	LEGEND - PLAN	---	
---	NEW	---	LEGEND - PLAN	---	

LOCATION APPROVED
UNDERGROUND STRUCTURES

SUPR. U/G STRUCTURES COMMITTEE DATE

NOTE:
LOCATION OF UNDERGROUND STRUCTURES AS SHOWN ARE BASED ON THE BEST INFORMATION AVAILABLE BUT NO GUARANTEE IS GIVEN THAT ALL EXISTING UTILITIES ARE SHOWN OR THAT THE GIVEN LOCATIONS ARE EXACT. CONFIRMATION OF EXISTENCE AND EXACT LOCATION OF ALL SERVICES MUST BE OBTAINED FROM THE INDIVIDUAL UTILITIES BEFORE PROCEEDING WITH CONSTRUCTION.

BM 37-020	ELEV 232.298 m	S.E. Cor. Sargent Ave. & Spence St., Tbl. in N. Conc. Foundation No. 488 Sargent Ave., 0.5 m E. & 0.1 m below brick of N.W. Cor. of Bldg.
B	ISSUED FOR TENDER	18/04/12 RPB
A	ISSUED FOR CLIENT REVIEW	18/03/23 RPB
No.	REVISIONS	YY/MM/DD BY DATE

MH	MORRISON HERSHFIELD
DESIGNED BY	WRJ
CHECKED BY	RPB
DRAWN BY	DML
APPROVED BY	BWB
RELEASED FOR CONSTRUCTION	
HOR SCALE	1:250
VERT SCALE	1:10
DATE	18/01/26

PROFESSIONAL'S SEAL

PRELIMINARY DRAWING

NOT TO BE USED FOR CONSTRUCTION

CONSULTANT FILE NAME
1800599-Spence-PP-03.dwg

THE CITY OF WINNIPEG
PUBLIC WORKS DEPARTMENT
ENGINEERING DIVISION

2018 LOCAL STREETS PACKAGE
SPENCE STREET
SARGENT AVE TO CUMBERLAND AVE
ASPHALT RECONSTRUCTION
PAVING AND GRADING
STA 0+290 TO CUMBERLAND AVE

CITY DRAWING NUMBER: N/A
SHEET 16 OF 32
DRAWING No. 16

BID OPPORTUNITY No. 128-2018

