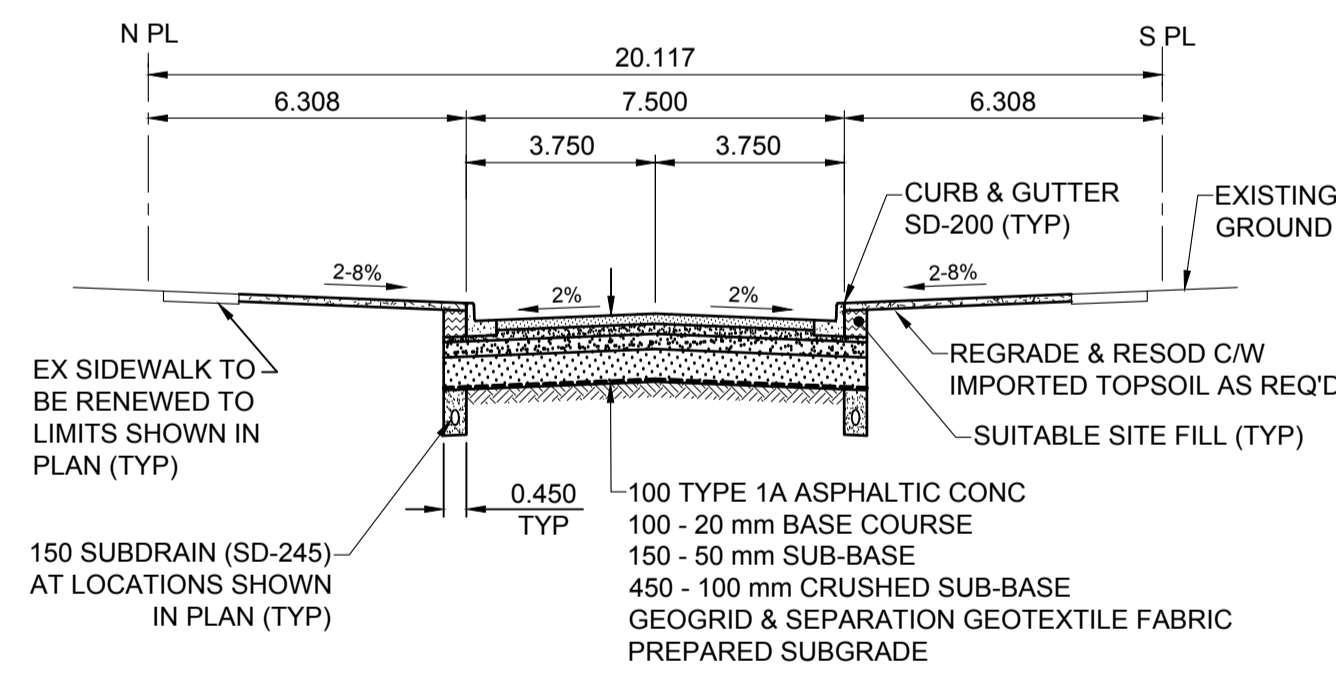
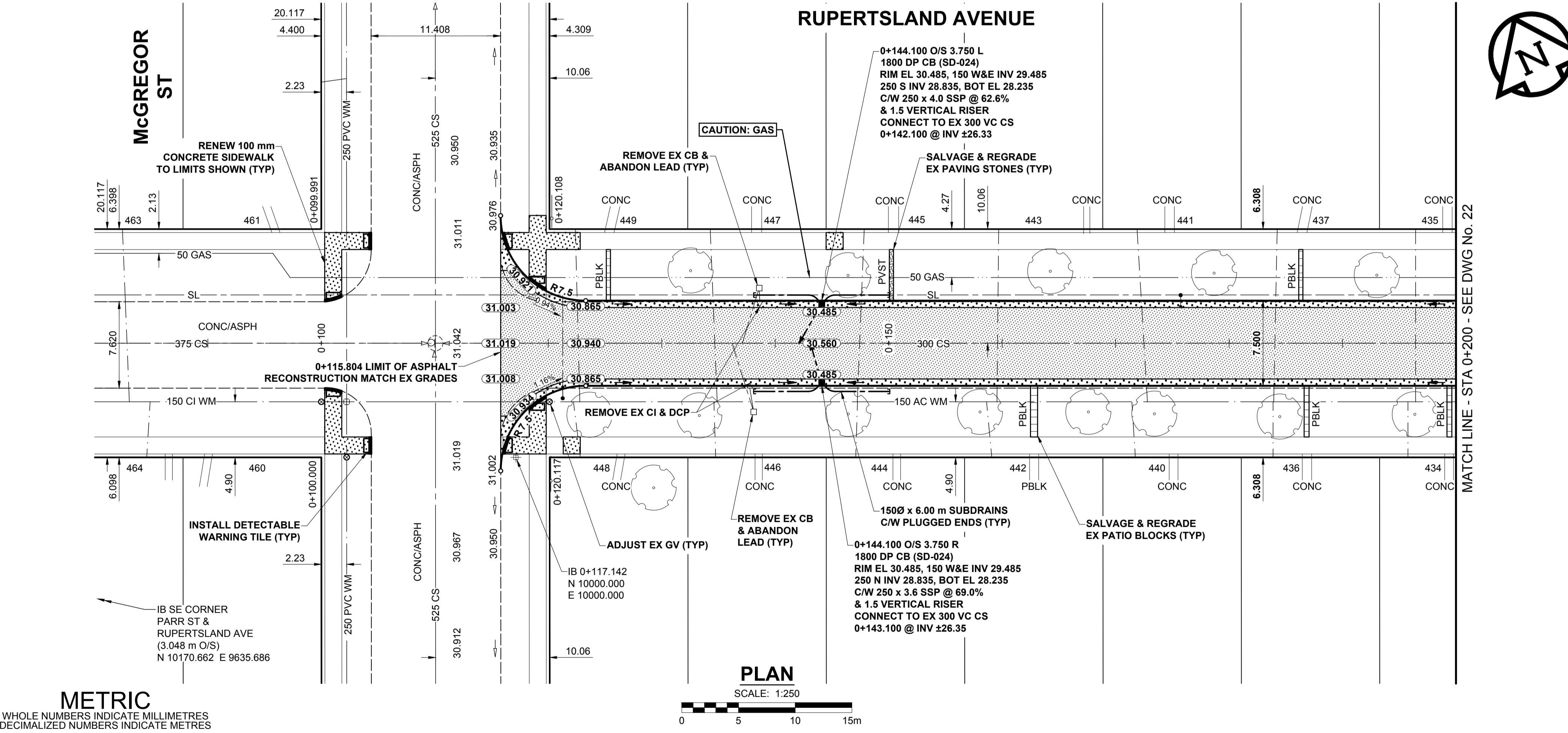


- NOTES**
1. ADJUST MH AND CB RIMS TO NEW GRADES.
  2. LAMP STANDARDS, HYDRO POLES, AND ANCHORS THAT REQUIRE TEMPORARY SUPPORT, REMOVAL OR REPLACEMENT, TO BE DONE SO AT THE EXPENSE OF THE CONTRACTOR AS NECESSARY.
  3. CONTRACTOR TO REGRADE/RENEW EXISTING PRIVATE SIDEWALKS TO LIMITS AS SHOWN. SIDEWALKS TO BE RENEWED WITH CONCRETE UNLESS NOTED OTHERWISE.
  4. CONTRACTOR TO TAKE PRECAUTIONARY STEPS TO PROTECT EXISTING TREES WITHIN THE LIMITS OF CONSTRUCTION FROM DAMAGE FROM CONSTRUCTION ACTIVITIES AS OUTLINED IN THE SPECIFICATIONS.
  5. CONTRACTOR TO CONFIRM THE LOCATION OF ALL UTILITIES/SERVICES IN THE FIELD PRIOR TO CONSTRUCTION.
  6. CB SD-023 & SD-024 OFFSETS ARE DIMENSIONED TO BOC. CB SD-025 OFFSETS ARE DIMENSIONED O/C.
  7. IN GENERAL, PAVEMENT AND SIDEWALK AREAS TO BE REMOVED. MATCH RECONSTRUCTION LIMITS.
  8. REFER TO BID OPPORTUNITY FOR DETAILS REGARDING TRAFFIC MANAGEMENT.
  9. EXISTING LONG WATER SERVICES TO BE INSULATED (SD-018). REFER TO BID OPPORTUNITY FOR FURTHER REQUIREMENTS AND AS NOTED IN PLAN.
  10. ALL COSTS, MATERIALS AND LABOR ASSOCIATED WITH THE RESTORATION OF THE CATHODIC PROTECTED WATERMAIN WILL BE RESPONSIBILITY OF THE CONTRACTOR.
  13. MODIFIED BARRIER CURB & GUTTER INLET FRAME & COVER TF-122.
  14. ADD 200.000 m TO ABBREVIATED ELEVATIONS TO OBTAIN GEODETIC ELEVATIONS.



**METRIC**  
WHOLE NUMBERS INDICATE MILLIMETRES  
DECIMALIZED NUMBERS INDICATE METRES

EXISTING	LEGEND - PLAN	NEW	EXISTING	LEGEND - PLAN	NEW	EXISTING	LEGEND - PLAN	NEW
	GAS		MANHOLE		CONCRETE PAVEMENT		LOCATION APPROVED	
	MTS HANDWELL/PEDESTAL		CATCH BASIN/CATCH PIT		CONC SIDEWALK/MEDIAN		UNDERGROUND STRUCTURES	
	HYDRO HANDWELL/CABINET		CURB INLET WITH BOX		ASPHALT PAVEMENT		SUPR. LIG. STRUCTURES	DATE
	CATV/FIBRE OPTIC		TREE		PAVING STONE		COMMITTEE	
	TRAFFIC SIGNALS/PIT		TEST HOLE		GRAVEL		NOTE:	
	LAND DRAINAGE SEWER		PROPERTY LINE		RAMP CURB		LOCATION APPROVED	
	SANITARY/COMBINED SEWER		SURVEY BAR		PLANING/REMOVAL		NOTE:	
	CB LEAD/SSP/DCP		FENCE				NOTE:	
	WATERMAIN		BOC/EDGE OF PAVEMENT				NOTE:	
	SUBDRAIN		ELEVATION				NOTE:	
	DITCH		TRAFFIC SIGN				NOTE:	

**LOCATION APPROVED**  
UNDERGROUND STRUCTURES

SUPR. LIG. STRUCTURES COMMITTEE DATE

**NOTE:**  
LOCATION OF UNDERGROUND STRUCTURES AS SHOWN ARE BASED ON THE BEST INFORMATION AVAILABLE BUT NO GUARANTEE IS GIVEN THAT ALL EXISTING UTILITIES ARE SHOWN OR THAT THE GIVEN LOCATIONS ARE EXACT. CONFIRMATION OF EXISTENCE AND EXACT LOCATION OF ALL SERVICES MUST BE OBTAINED FROM THE INDIVIDUAL UTILITIES BEFORE PROCEEDING WITH CONSTRUCTION.

NO.	REVISIONS	DATE	BY
B	ISSUED FOR TENDER	18/04/12	RPB
A	ISSUED FOR CLIENT REVIEW	18/03/23	RPB

DESIGNED BY	CHECKED BY	DATE
RPB	WRJ	18/01/26
DML	BWB	

**PRELIMINARY DRAWING**

NOT TO BE USED FOR CONSTRUCTION

CONSULTANT FILE NAME  
1800599-Rupertland-PP-01.dwg

**THE CITY OF WINNIPEG**  
PUBLIC WORKS DEPARTMENT  
ENGINEERING DIVISION

**2018 LOCAL STREETS PACKAGE**  
**RUPERTSLAND AVENUE**  
**MCGREGOR ST TO POWERS ST**  
ASPHALT RECONSTRUCTION  
PAVING AND GRADING  
MCGREGOR ST TO STA 0+200

CITY DRAWING NUMBER: N/A  
SHEET 21 OF 32  
DRAWING No. 21

BID OPPORTUNITY No. 128-2018

