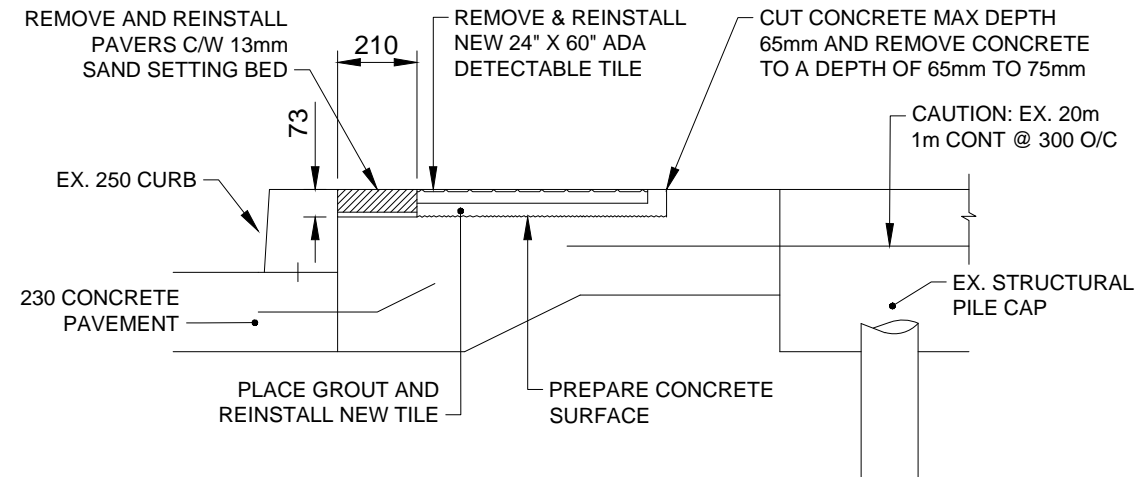
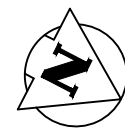
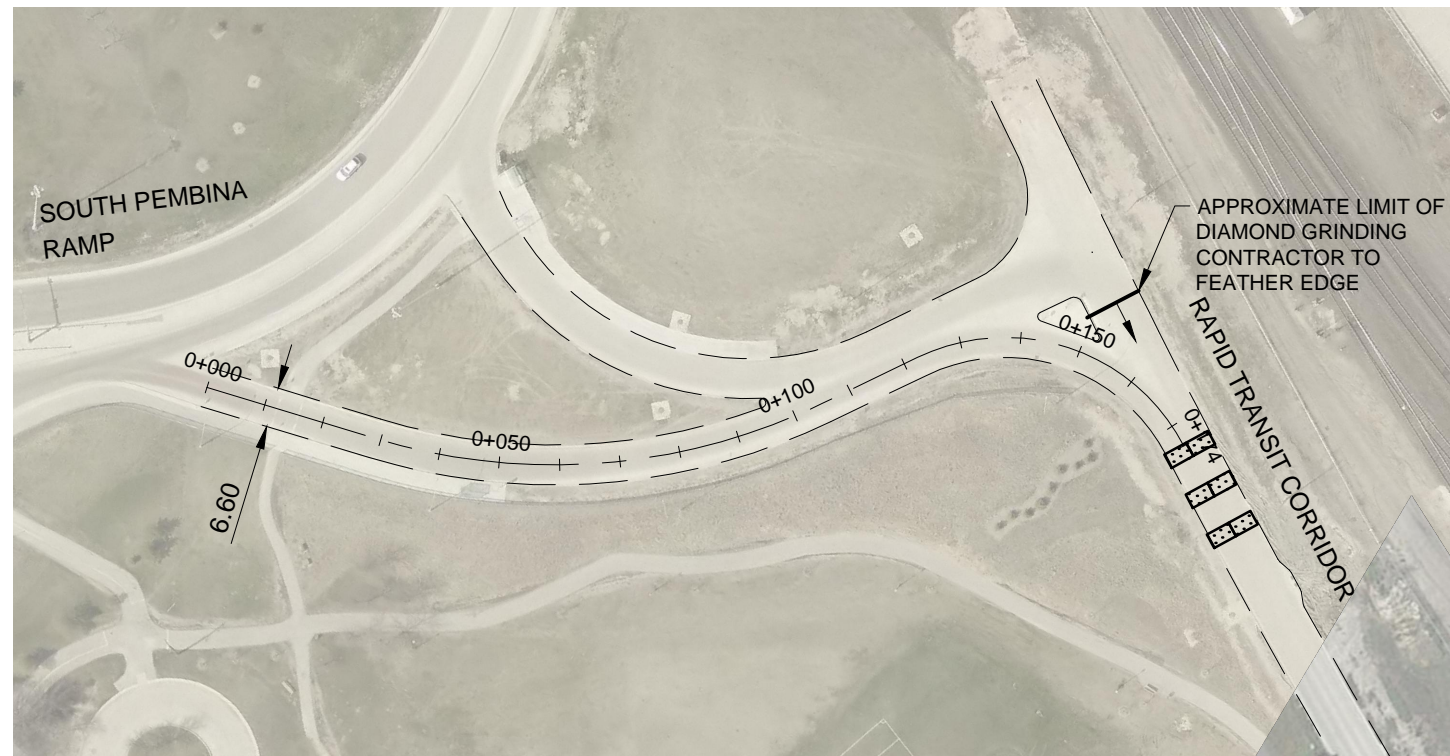
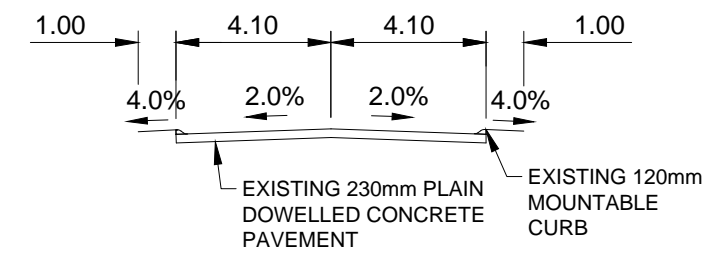
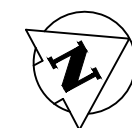


RAPID TRANSIT JUBILEE RAMP



1 DETAIL
TRANSIT STOP TILE RENEWAL

RAPID TRANSIT CORRIDOR



A TYPICAL SECTION
SOUTH CORRIDOR

METRIC
WHOLE NUMBERS INDICATE MILLIMETRES
DECIMALIZED NUMBERS INDICATE METRES

V:\1137\active\113707600\0300_drawing\0302_sheet_files\02_civil\07600c-116-xxx.dwg 2018/05/01 5:33 PM By: Kjartanson, Melanie

**ENGINEERS
GEOLOGISTS
MANITOBA**
Certificate of Authorization
Stantec Consulting Ltd.
No. 1301

CONCRETE
REPAIRS

500 - 311 Porcage Avenue, Winnipeg MB
www.stantec.com

CITY DRAWING NO.:	DRAWING NO.:
-	C-116 SHT 17 OF 23
DATE:	SCALE:
18.03.01	1:1250
DRAWN BY:	
M.K.	

2018 STREET MAINTENANCE
PRESERVATION PROGRAM
RAPID TRANSIT CORRIDOR
STA 9+950 TO STA 10+300