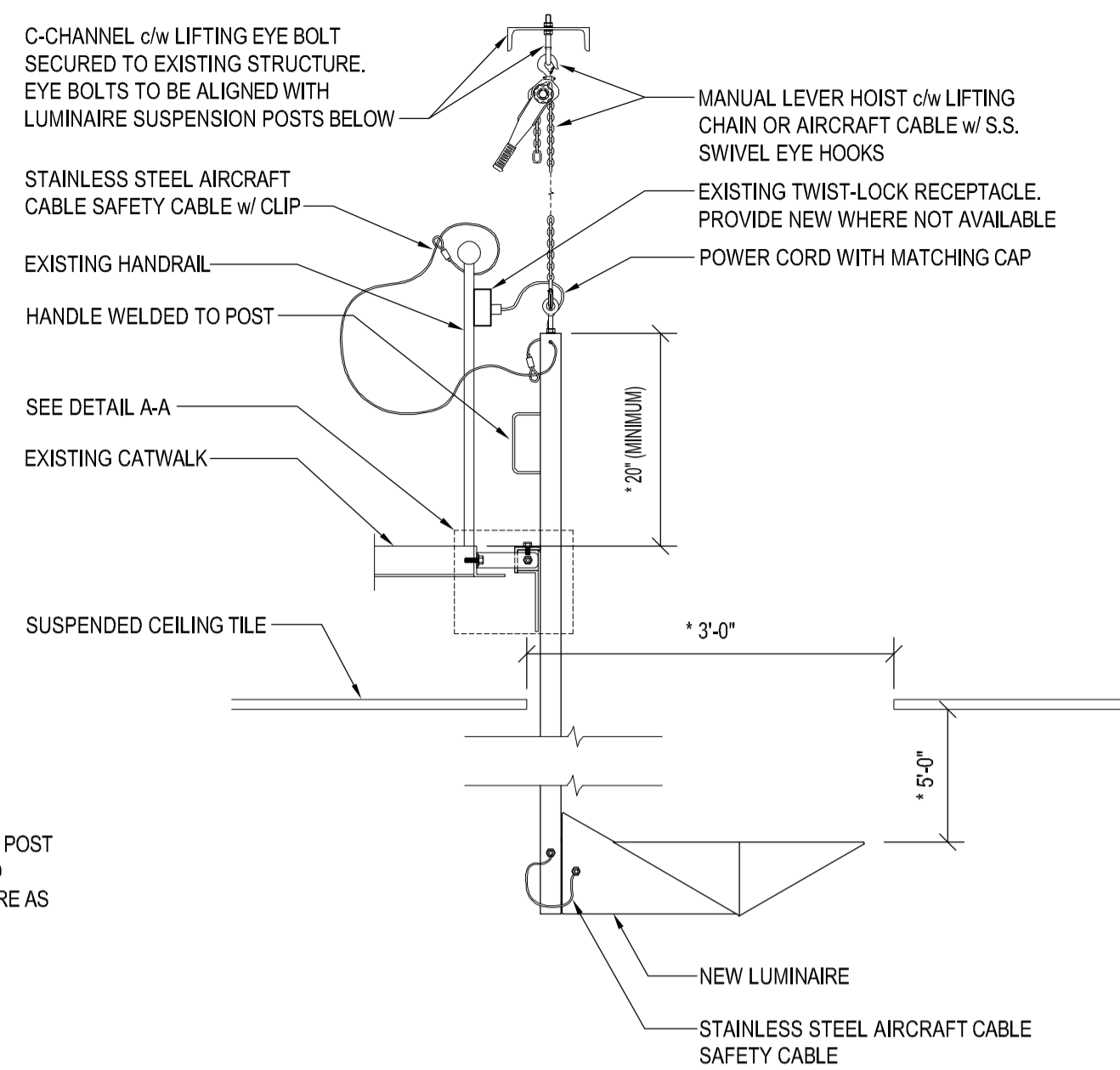
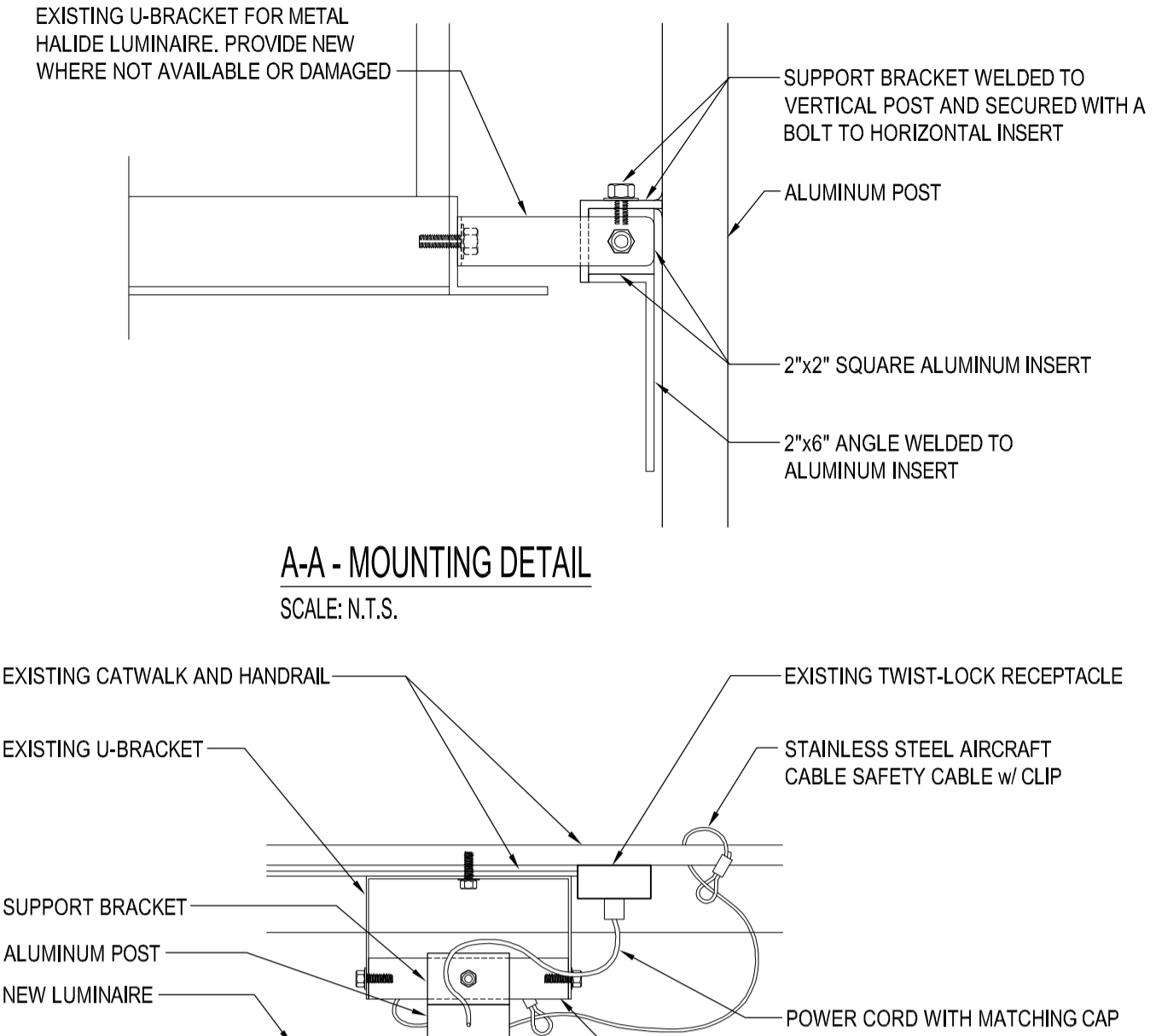


TYPE 'A' LUMINAIRE MOUNTING DETAIL  
SCALE: 1/8"=1'-0"



A - MOUNTING DETAIL SIDE VIEW  
SCALE: N.T.S.

\* DIMENSIONS ARE APPROXIMATE. CONTRACTOR TO CONFIRM ON SITE AND COORDINATE WITH MANUFACTURER.

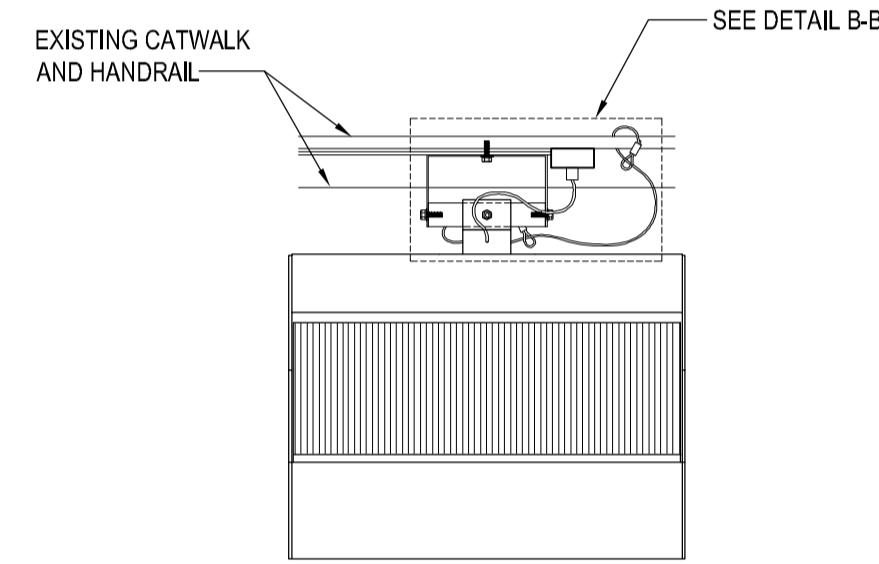


A-A - MOUNTING DETAIL  
SCALE: N.T.S.

B-B - MOUNTING DETAIL  
SCALE: N.T.S.

TYPE 'A' LUMINAIRE INSTALLATION NOTES:

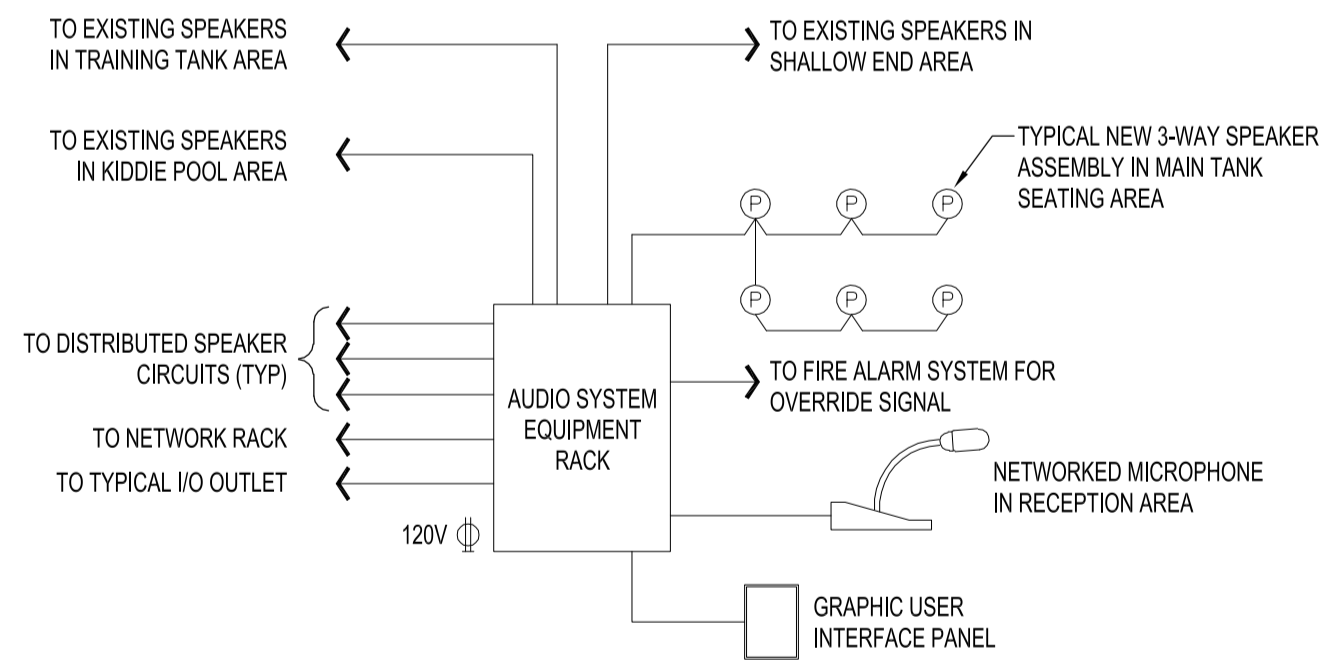
- CONTRACTOR TO PROVIDE AN ON-SITE MOCK-UP OF TYPE 'A' LUMINAIRE INSTALLATION PRIOR TO MANUFACTURING THE SUSPENSION SYSTEM. MAKE NECESSARY ADJUSTMENTS TO ENSURE THE LUMINAIRE IS FIRMLY POSITIONED, PROPERLY AIMED AND CAN BE READILY EXTRACTED FOR SERVICING TO CONTRACT ADMINISTRATOR'S SATISFACTION. AFTER EXTRACTION AND RE-INSTALLATION, THE LUMINAIRE SHALL RETURN PRECISELY TO SAME POSITION WITHOUT THE NEED FOR ADJUSTMENTS. SCHEDULE THE MOCK-UP SUFFICIENTLY IN ADVANCE TO ENSURE ADEQUATE TIME TO FABRICATE AND SUPPLY ALL COMPONENTS TO THE SITE WITHOUT INTERFERENCE WITH PROJECT SCHEDULE.
- EXISTING CIRCUITS FEEDING POOL OVERHEAD LIGHTING IN CEILING SPACE AND ASSOCIATED LOW VOLTAGE CONTROLS ARE TO BE REUSED AND MAINTAINED. ADJUST LOCATION OF EXISTING TWIST-LOCK RECEPTACLES AND PROVIDE ADDITIONAL RECEPTACLES AS REQUIRED.
- PROVIDE TWO(2) PORTABLE MINI RATCHET LEVER HOIST FOR EXTRACTION OF TYPE 'A' LUMINAIRES.
- PROVIDE THREE(3) SPARE COMPLETE ASSEMBLIES, INCLUDING LUMINAIRE, POST, SUPPORT BRACKET, HANDLE, EYE BOLT, SAFETY CABLE, CORD AND PLUG.



B - MOUNTING DETAIL PLAN VIEW  
SCALE: N.T.S.

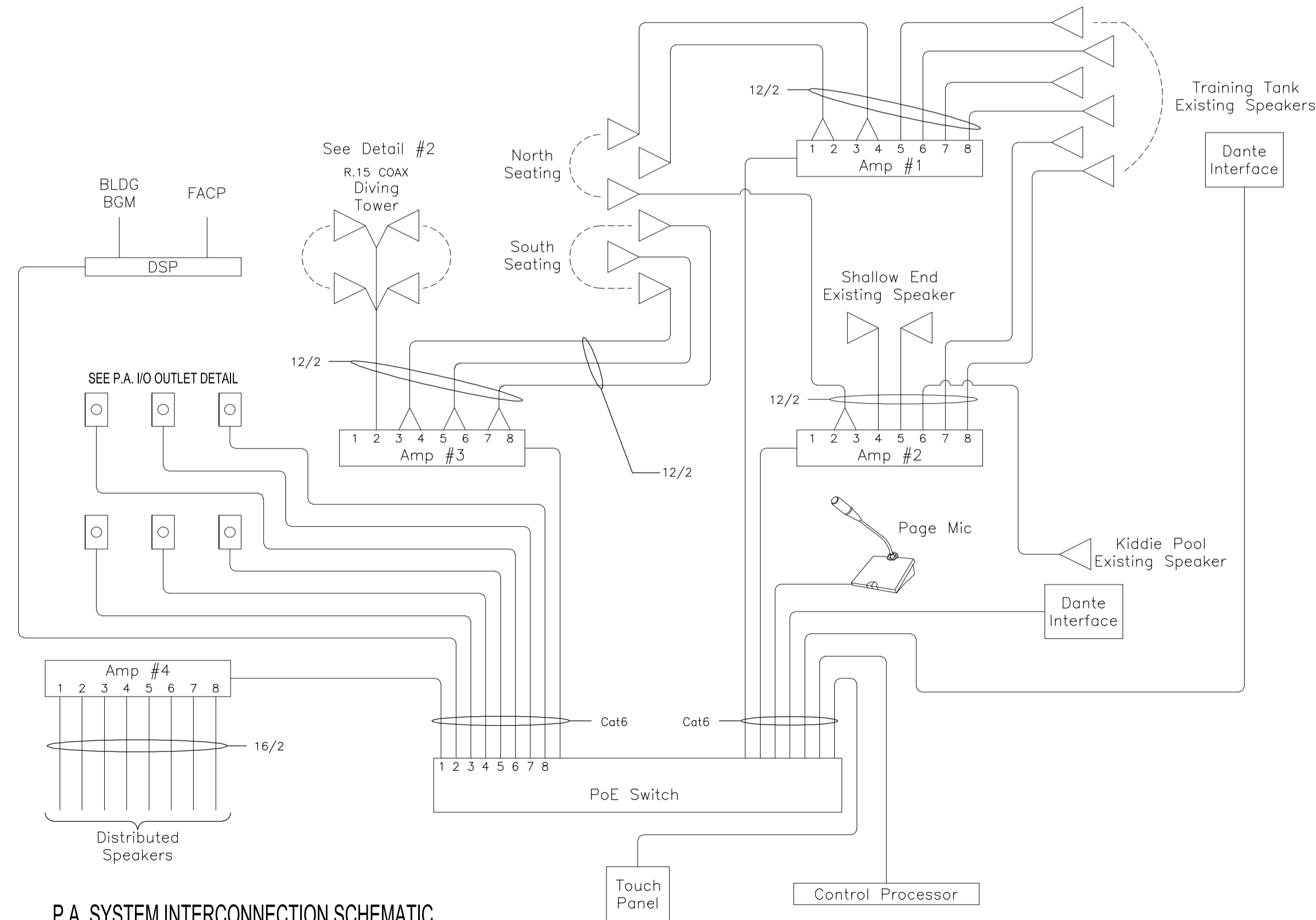
LUMINAIRE SCHEDULE							
TYPE	FIXTURE DESCRIPTION	LAMP TYPE	MANUFACTURER	CATALOGUE No.	VOLTS	WATTS	NOTES
A	INDIRECT FLOOD LIGHTING POST SUSPENDED FROM CATWALK	LED	ELLIPTIPAR	S434-S432-1-02-8-1P-1-40-ZX	208V	669W	1,2,4,6
B	SIMILAR TO TYPE A, BUT WALL MOUNTED	LED	ELLIPTIPAR	S434-S432-W-02-8-1P-1-40-ZX	208V	669W	1,3,5,6
C	INDIRECT WALL MOUNTED	LED	ELLIPTIPAR	S431-5108-W-02-3-1P-1-40-ZX	208V	172W	1,3,5,6
D	SURFACE MOUNTED GASKETED LINEAR	LED	ELLIPTIPAR	S144-R08L-S-22-8-L0-1-40-ZX	120V	58W	1,5
E	WALL MOUNTED INDIRECT, AIMED AT UNDERSIDE OF DIVING BOARDS	LED	ELLIPTIPAR	S134-R04L-S-02-8-XX-1-40-ZX	208V	29W	1,5

- NOTES:
- LUMINAIRES TO BE NATATORIUM RATED.
  - SEE MOUNTING DETAIL THIS DRAWING. LUMINAIRE TO BE SUSPENDED 5'-0" BELOW CEILING.
  - MOUNTING HEIGHT TO MATCH TYPE A.
  - UTILIZE EXISTING CIRCUITS AND CONTROLS AS FOR DEMOLISHED 1000W METAL HALIDE LUMINAIRES.
  - PROVIDE NEW CIRCUITS FROM EXISTING 120/208V PANEL. TIE TO EXISTING LOW VOLTAGE LIGHTING CONTROL SYSTEM. MODIFY/AUGMENT LIGHTING CONTROL SYSTEM AS REQUIRED TO ACCOMMODATE NEW CIRCUITS.
  - LUMINAIRE TO BE c/w ADJUSTABLE OPTICS TO TILT DISTRIBUTION FORWARD.
  - ALL NEW LUMINAIRES AND LUMINAIRE COMPONENTS ARE TO BE APPROVED BY MANITOBA HYDRO POWER SMART PROGRAM.
  - CONTRACTOR TO DEMOLISH EXISTING LUMINAIRES AND STORE ON SITE FOR DISPOSAL. DISPOSAL OF LUMINAIRES FROM SITE IS THE CONTRACTOR'S RESPONSIBILITY. PROVIDE HAZARDOUS MATERIALS INVENTORY IF REQUIRED.



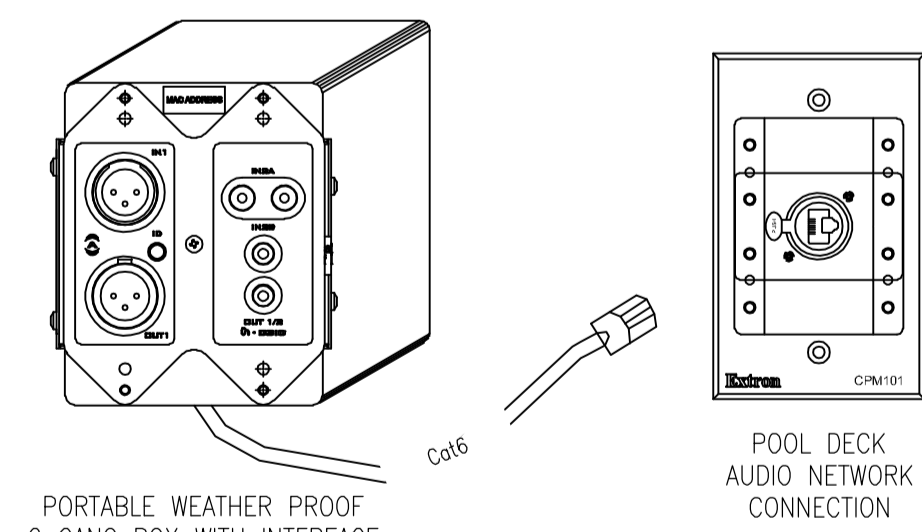
P.A. SYSTEM RISER DIAGRAM  
SCALE: N.T.S.

- NOTES:
- ALL CONDUIT TO BE 3/4" UNLESS OTHERWISE NOTED.
  - SPEAKERS TO BE ZONED AS FOLLOWS:
    - ZONE 1: MAIN TANK AND TRACK
    - ZONE 2: TRAINING TANK
    - ZONE 3: MPR & AEROBICS ROOM
    - ZONE 4: RECEPTION, CIRCULATION, OFFICE, SERVICE, AND OTHER AREAS
    - ZONE 5: EXTERIOR, SOUTH ELEVATION
    - ZONE 6: UPPER WEIGHT ROOM
  - PROVIDE AND INSTALL CAT6 DATA CABLING AS REQUIRED FOR INTERCONNECTION OF AUDIO SYSTEM COMPONENTS.
  - ANY REMAINING P.A. SYSTEM WIRING SHALL BE TESTED FOR FUNCTIONALITY AND REPLACED AS NEEDED.
  - SUPPLY, INSTALL, WIRE, AND CONNECT A MATCHING INTERFACE RELAY IN EXISTING FIRE ALARM SYSTEM TO PROVIDE A MUSIC OVERRIDE SIGNAL UPON INITIATION OF FIRE ALARM. PROVIDE A MANUFACTURER VERIFICATION INSPECTION REPORT FOR ANY ADDITIONS OR MODIFICATIONS TO EXISTING FIRE ALARM SYSTEM.



P.A. SYSTEM INTERCONNECTION SCHEMATIC  
SCALE: N.T.S.

(TO BE CONFIRMED WITH SYSTEM MANUFACTURER)



P.A. I/O OUTLET DETAIL  
SCALE: N.T.S.

NOTES:

THESE DRAWINGS SHALL NOT BE SCALED.

THE CONTRACTOR SHALL VISIT THE SITE AND SATISFY ONESELF ALL DIMENSIONS, DATUM, AND DETAILED INFORMATION SHOWN ARE CORRECT.

THE CONTRACTOR IS TO REVIEW AND COORDINATE ALL ARCHITECTURAL, MECHANICAL, ELECTRICAL AND STRUCTURAL DRAWINGS FOR ADDITIONAL OPENINGS THROUGH FLOORS, WALLS, AND CEILINGS FOR DUCT, PIPE & ELECTRICAL RISERS AND ALL OPENINGS NOT SHOWN ON DRAWINGS.

ALL OPENINGS THROUGH FIRE ASSEMBLIES ARE TO BE FIRE STOPPED AND SEALED WITH ULC APPROVED FIRE STOPPING TO MAINTAIN THE INTEGRITY OF THE FIRE SEPARATION, AND PROVIDE A SMOKE-TIGHT BARRIER.

ALL PRODUCTS AND MATERIALS TO BE USED AND INSTALLED SHALL CONFORM WITH MANUFACTURER'S SPECIFICATIONS & APPLICABLE CODES.

THE CONTRACTOR SHALL BE RESPONSIBLE TO PATCH AND MAKE GOOD ALL EXISTING CONSTRUCTION AFFECTED BY THE REMOVAL OF ALL ITEMS FORMING THE PART OF THE RENOVATION WORK.

WHERE PAINTING OF EXISTING WALLS IS INDICATED, THESE WALLS MUST BE CLEANED OF ANY EXISTING WALL COVERING, PATCHED & PREPARED TO ACCEPT NEW MATERIAL, UNLESS OTHERWISE NOTED.

CONTRACTOR WILL PROVIDE TEMPORARY SIGNAGE TO RESTRICT ACCESS TO MAIN POOL AREAS AT MAIN DOORS.

No.	REVISION/DESCRIPTION	BY	DATE
3	ISSUED FOR TENDER / CONSTRUCTION		HPC/CTS 18.06.13
2	ISSUED FOR 99% REVIEW		HPC/CTS 18.05.31
1	ISSUED FOR 66% REVIEW		HPC/CTS 18.05.01

SEAL

**ENGINEERS GEOSCIENTISTS MANITOBA**

Certificate of Authorization  
Stantec Consulting Ltd.  
No. 1301

PROVINCE OF MANITOBA  
18.06.13  
L. KORENBAUM  
Member  
10389  
REGISTERED PROFESSIONAL ENGINEER

DRAWN DATE	HPC/CTS	CHECKED USER	DESIGNED LK	APPROVED
2018.03.23				

Winnipeg

THE CITY OF WINNIPEG  
PLANNING, PROPERTY AND  
DEVELOPMENT DEPARTMENT  
MUNICIPAL ACCOMMODATIONS DIVISION  
3-65 GARRY STREET, R3C 4K4

PROJECT  
PAN-AM POOL  
CEILING RENOVATION  
BID OPPORTUNITY No. 178-2018  
25 POSEIDON BAY, WINNIPEG, MB

SHEET TITLE  
ELECTRICAL  
DETAILS AND SCHEDULE

SCALE	PROJECT No:	SHEET No:
AS SHOWN	2017-033	E0