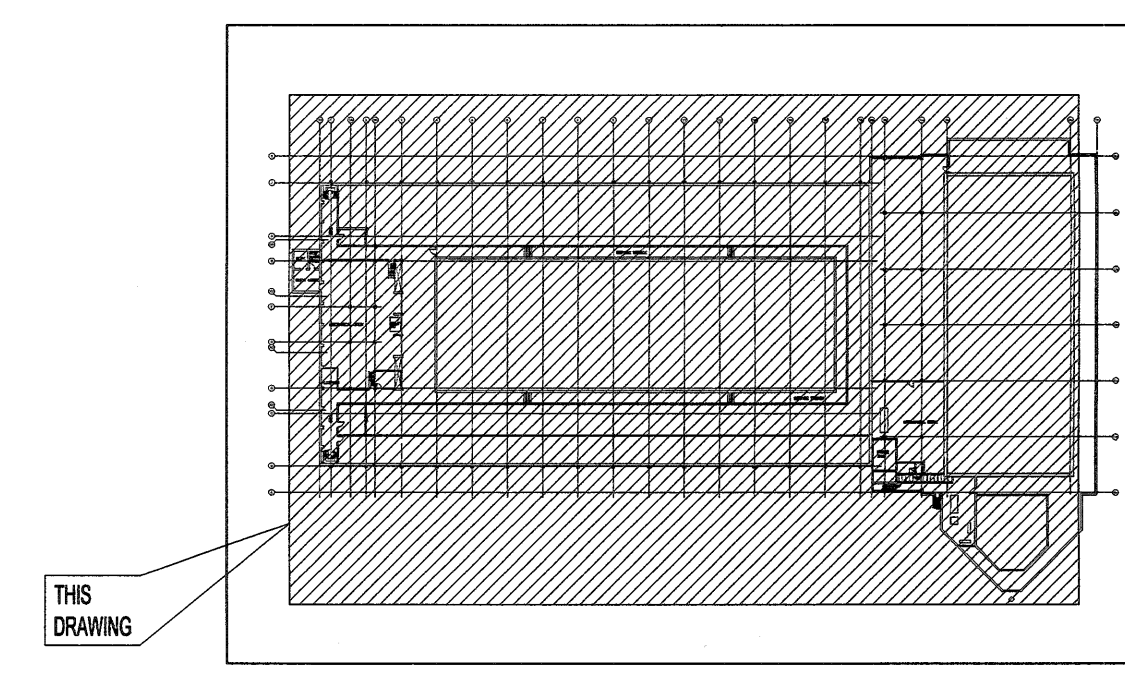


GENERAL NOTES:

- PERFORM WORK IN ACCORDANCE WITH ALL APPLICABLE CODES AND REGULATIONS.
- EQUIPMENT LOCATIONS, DUCT, AND PIPE ROUTING INDICATED ON THE DRAWINGS IS APPROXIMATE ONLY. CONFIRM IN THE FIELD. REROUTE DUCTWORK AND PIPING AS REQUIRED TO ELIMINATE FIELD INTERFERENCES. WITH BUILDING STRUCTURES, ELECTRICAL, ETC. CONFIRM CHANGES WITH CONTRACT ADMINISTRATOR. COORDINATE WORK WITH ALL SUBTRADES. WHERE DIMENSIONS ARE INDICATED FOR PIPING, DUCTWORK, DUCT SIZES, EQUIPMENT SIZES, ETC. THESE ARE FOR BIDDING PURPOSES ONLY. THE CONTRACTOR IS RESPONSIBLE TO VERIFY ALL DIMENSIONS IN THE FIELD PRIOR TO ORDERING EQUIPMENT AND COMMENCING INSTALLATION WITHOUT EXTRA CHARGES TO THE PROJECT. THE CONTRACTOR IS RESPONSIBLE TO ENSURE ALL EQUIPMENT, DUCTWORK, AND PIPING FITS IN THE SPACE AVAILABLE AND TO MAINTAIN THE GENERAL DESIGN INTENT FOR THE SYSTEMS.
- CONFORM TO SMACNA STANDARDS FOR SUPPLY AND INSTALLATION OF DUCTWORK.
- SEAL ALL WALL PENETRATIONS AND DUCTWORK WATER AND AIR TIGHT.
- PROVIDE ALL WALL PENETRATIONS, PENETRATIONS THROUGH FIRE RATED WALLS SHALL BE FIRE SEALED.

KEYNOTES:

- INSTALL NEW HYDRONIC CIRCULATION PUMPS (P-3A AND P-3B) MOUNT PUMPS ON FLOOR WITH STAND. REFER TO INSTALLATION DETAIL ON DWG. M08
- INSTALL NEW HEAT EXCHANGERS (HX-1 AND HX-2). MOUNT UNITS ON CONCRETE PAD. MAINTAIN ALL MANUFACTURER RECOMMEND SERVICE CLEARANCES.
- INSTALL NEW HYDRONIC EXPANSION TANK (EXP-1).
- RUN NEW INSULATED 1500 GLYCOL SUPPLY AND RETURN PIPING FROM BOILER ROOM TO LAP POOL MECHANICAL ROOM. RUN LINES IN LOCATION OF REMOVED 1000 LINES WHERE POSSIBLE. PROVIDE NEW PIPE HANGERS. REFER TO DWG. M08 FOR PIPE HANGER DETAIL.
- ENLARGE EXISTING WALL PENETRATIONS AT LOCATION OF REMOVED 1000 GLYCOL SUPPLY AND RETURN LINES TO SUIT NEW 1500 LINES.
- INSTALL GLYCOL MAKE-UP UNIT (GMU-1) MAINTAINED FROM PREVIOUS GLYCOL SYSTEM.
- INSTALL NEW GLYCOL CIRCULATION PUMPS (P-1A & P-1B) CWV SUCTION DIFFUSERS AND TRIPLE DUTY VALVES. MOUNT PUMPS ON FLOOR WITH STAND. REFER TO DWG. M08 FOR INSTALLATION DETAIL.
- PROVIDE CORING FOR ENLARGED PIPE PENETRATIONS. FIRE SEAL PENETRATIONS TO 2-HR. RATING. PROVIDE MILTI FIRE SEAL METHOD SHOP DRAWING FOR REVIEW AND APPROVAL.
- PROVIDE PIPE ANCHORS AT LOCATIONS SHOWN.

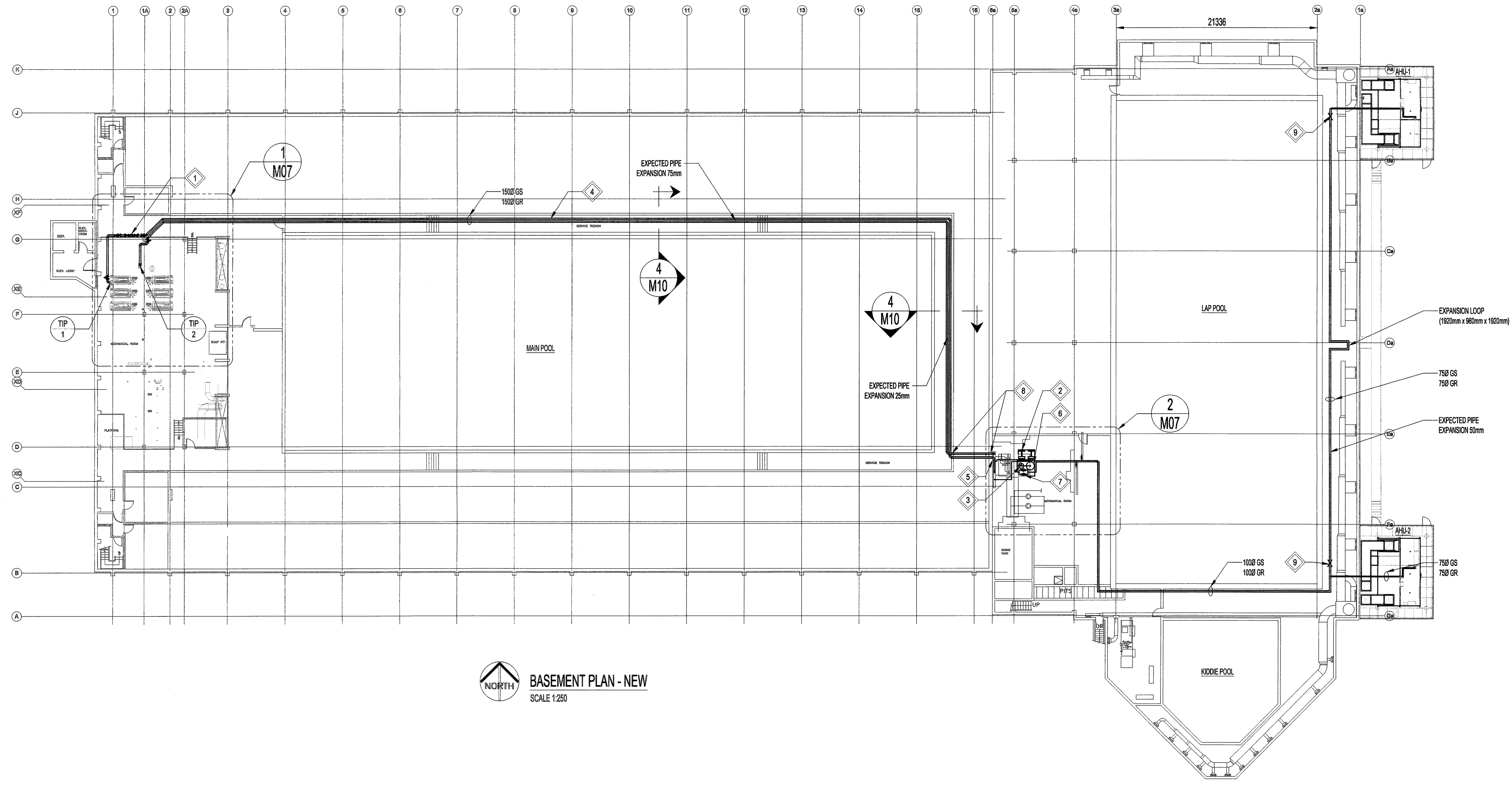


KEY PLAN
SCALE: N.T.S.

NOTES:
THESE DRAWINGS SHALL NOT BE SCALED.
THE CONTRACTOR SHALL VISIT THE SITE AND SATISFY ONESELF ALL DIMENSIONS, DATUM, AND DETAILED INFORMATION SHOWN ARE CORRECT.
THE CONTRACTOR IS TO REVIEW AND COORDINATE ALL ARCHITECTURAL, MECHANICAL, ELECTRICAL AND STRUCTURAL DRAWINGS FOR ADDITIONAL OPENINGS THROUGH FLOORS, WALLS, AND CEILINGS FOR DUCT, PIPE & ELECTRICAL RISERS AND ALL OPENINGS NOT SHOWN ON DRAWINGS.
ALL OPENINGS THROUGH THE FIRE SEPARATIONS AS A RESULT OF THE WORK OF THIS CONTRACT ARE TO BE FIRE STOPPED AND SEALED WITH ULC APPROVED FIRE STOPPING TO MAINTAIN THE INTEGRITY OF THE FIRE SEPARATION, AND PROVIDE AND SMOKE-TIGHT BARRIER.
ALL PRODUCTS AND MATERIALS TO BE USED AND INSTALLED SHALL CONFORM WITH MANUFACTURERS SPECIFICATIONS & APPLICABLE CODES.
THE CONTRACTOR SHALL BE RESPONSIBLE TO PATCH AND MAKE GOOD ALL EXISTING CONSTRUCTION AFFECTED BY THE REMOVAL OF ALL ITEMS FORMING THE PART OF THE RENOVATION WORK.

WHERE NEW FLOORING AND BASE IS TO BE INSTALLED IN EXISTING AREAS (REFER TO FLOOR PLAN AND ROOM SCHEDULE) THE EXISTING FLOORING SURFACE AND BASE MUST BE REMOVED, UNLESS OTHERWISE NOTED. ALL FLOOR SURFACES SHALL BE PREPARED IN ACCORDANCE TO MANUFACTURERS RECOMMENDATIONS FOR INSTALLATION OF NEW FLOOR.

- WHERE PAINTING OF EXISTING WALLS IS INDICATED ON THE ROOM SCHEDULE, THESE WALLS MUST BE CLEANED OF ANY EXISTING WALL COVERING, PATCHED & PREPARED TO ACCEPT NEW MATERIAL, UNLESS OTHERWISE NOTED.
- LEGEND:
- NEW EQUIPMENT/PIPPING
 - EXISTING EQUIPMENT/PIPPING
 - HWS HOT WATER SUPPLY
 - HWR HOT WATER RETURN
 - GS GLYCOL SUPPLY
 - GR GLYCOL RETURN
 - NG NATURAL GAS
 - B BOILER
 - P PUMP
 - HWT HOT WATER TANK
 - HX HEAT EXCHANGER
 - AHU AIR HANDLING UNIT
 - PUMP
 - TIP TIE IN POINT
 - X PIPE ANCHOR



NORTH
BASEMENT PLAN - NEW
SCALE 1:250

No.	REVISION/DESCRIPTION	BY	DATE
0	ISSUED FOR TENDER		18.03.08



DATE	CHECKED	DESIGNED	MAP	APPROVED
18.01.25	ML	BS	MAP	BS

THE CITY OF WINNIPEG
PLANNING, PROPERTY AND
DEVELOPMENT DEPARTMENT
MUNICIPAL ACCOMMODATIONS DIVISION
3-65 GARRY STREET, R3C 4K4

PROJECT
REPLACEMENT OF ROOF TOP UNITS
SERVING LAP POOL
AT PAN AM POOL
25 POSEIDON BAY

SHEET TITLE
MECHANICAL
BASEMENT PLAN
NEW PIPING

SCALE	PROJECT No:	SHEET No:
AS SHOWN	17-0107-023	M04

SCALE VERIFIED BY: *SM*

