

KEYNOTES:

PIPE RELIEF VALVE TO GLYCOL MAKE UP UNIT (GML-1).

NOTES:

THESE DRAWINGS SHALL NOT BE SCALED.

THE CONTRACTOR SHALL VISIT THE SITE AND SATISFY HIMSELF ALL DIMENSIONS, DATUM, AND DETAILED INFORMATION SHOWN ARE CORRECT.

THE CONTRACTOR IS TO REVIEW AND COORDINATE ALL ARCHITECTURAL, MECHANICAL, ELECTRICAL AND STRUCTURAL DRAWINGS FOR ADDITIONAL OPENINGS THROUGH FLOORS, WALLS, AND CEILINGS FOR DUCT, PIPE & ELECTRICAL RISERS AND ALL OPENINGS NOT SHOWN ON DRAWINGS.

ALL OPENINGS THROUGH THE FIRE SEPARATIONS AS A RESULT OF THE WORK OF THIS CONTRACT ARE TO BE FIRE STOPPED AND SEALED WITH ULC APPROVED FIRE STOPPING TO MAINTAIN THE INTEGRITY OF THE FIRE SEPARATION, AND PROVIDE AND SMOKE-TIGHT BARRIER.

ALL PRODUCTS AND MATERIALS TO BE USED AND INSTALLED SHALL CONFORM WITH MANUFACTURER'S SPECIFICATIONS & APPLICABLE CODES.

THE CONTRACTOR SHALL BE RESPONSIBLE TO PATCH AND MAKE GOOD ALL EXISTING CONSTRUCTION AFFECTED BY THE REMOVAL OF ALL ITEMS FORMING THE PART OF THE RENOVATION WORK.

WHERE NEW FLOORING AND BASE IS TO BE INSTALLED IN EXISTING AREAS (REFER TO FLOOR PLAN AND ROOM SCHEDULE) THE EXISTING FLOORING SURFACE AND BASE MUST BE REMOVED, UNLESS OTHERWISE NOTED. ALL FLOOR SURFACES SHALL BE PREPARED IN ACCORDANCE TO MANUFACTURER'S RECOMMENDATIONS FOR INSTALLATION OF NEW FLOORING.

WHERE PAINTING OF EXISTING WALLS IS INDICATED ON THE ROOM SCHEDULE, THESE WALLS MUST BE CLEANED OF ANY EXISTING WALL COVERING, PATCHED & PREPARED TO ACCEPT NEW MATERIAL, UNLESS OTHERWISE NOTED.

LEGEND:

- NEW EQUIPMENT/PIPING
- EXISTING EQUIPMENT/PIPING TO REMAIN
- GS GLYCOL SUPPLY
- GR GLYCOL RETURN
- OIA OUTSIDE AIR
- EIA EXHAUST AIR
- AHU- AIR HANDLING UNIT
- EXP- EXPANSION TANK
- GML- GLYCOL MAKE UP UNIT
- P- PUMP
- HX- HEAT EXCHANGER
- PUMP PUMP
- 3-WAY CONTROL VALVE
- BUTTERFLY VALVE
- BALL VALVE
- GATE VALVE
- BALANCING VALVE
- SUCTION DIFFUSER
- TRIPLE DUTY VALVE
- PRESSURE GAUGE
- UNION
- CAP
- MOTORIZED DAMPER
- SIGHT GLASS
- FILTER
- CHEMICAL POT FEEDER
- AIR FLOW DIRECTION
- AIR SEPARATOR
- TEMPERATURE SENSOR
- THERMOMETER
- REDUCER
- RELIEF VALVE
- FLEXIBLE CONNECTION

No.	REVISION/DESCRIPTION	BY	DATE
0	ISSUED FOR TENDER		18.03.09

SEAL



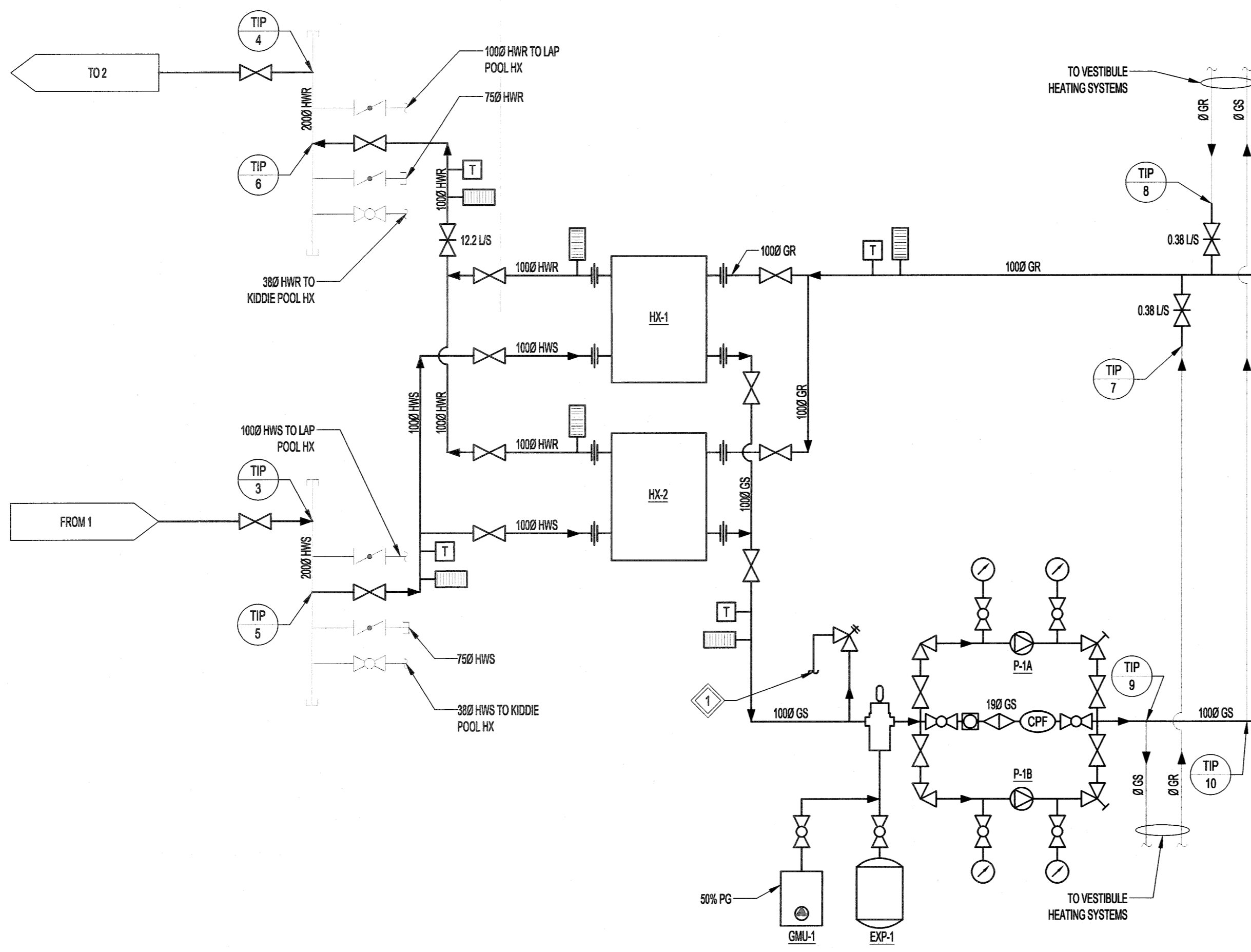
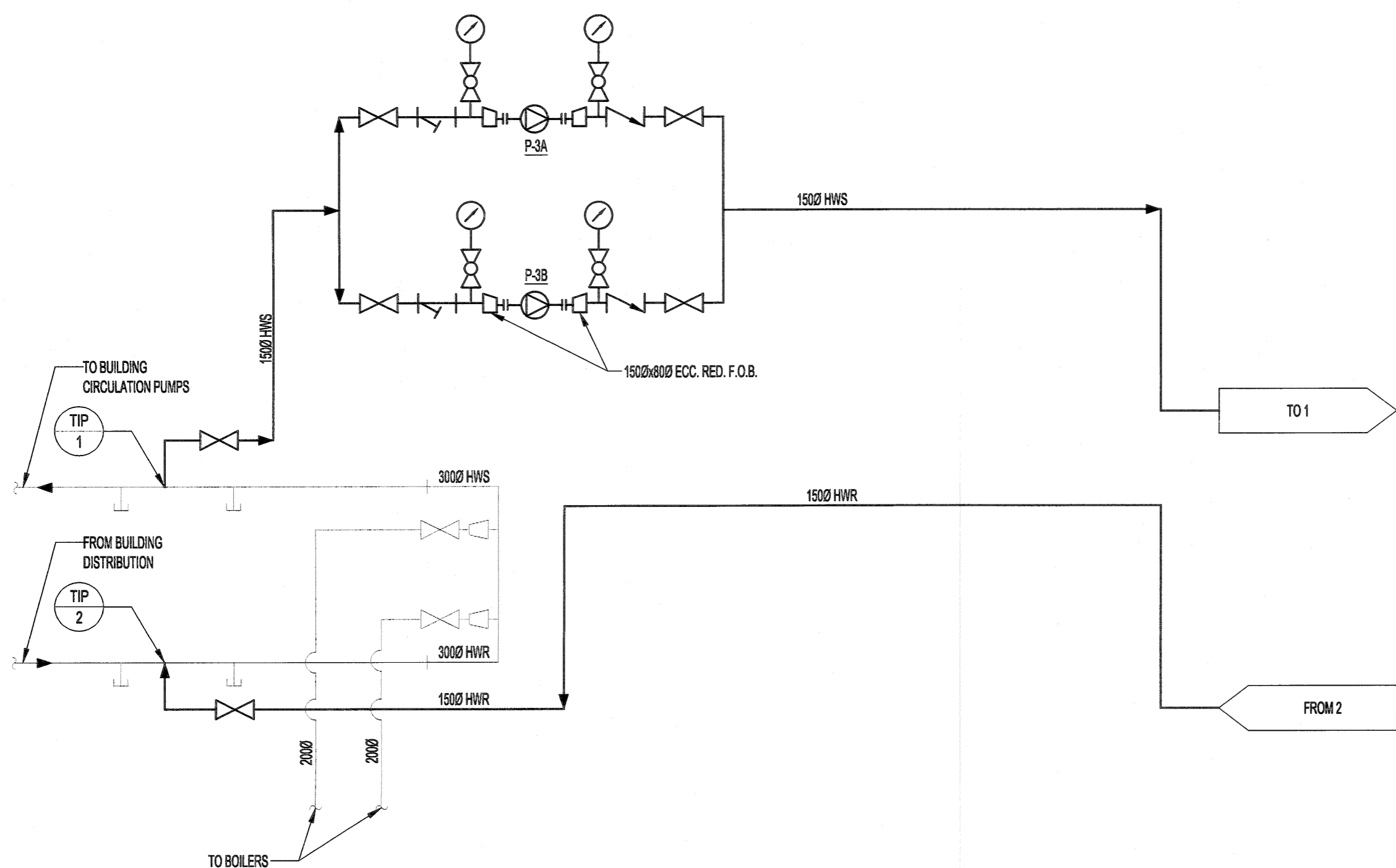
DRAWN	CHECKED	DESIGNED	MAP	APPROVED
DATE 18.01.25				USER APPROVAL

THE CITY OF WINNIPEG
 PLANNING, PROPERTY AND
 DEVELOPMENT DEPARTMENT
 MUNICIPAL ACCOMMODATIONS DIVISION
 3-65 GARRY STREET, R3C 4K4

PROJECT
**REPLACEMENT OF ROOF TOP UNITS
 SERVING LAP POOL
 AT PAN AM POOL**
 25 POSEIDON BAY

SHEET TITLE
**MECHANICAL
 PIPING SCHEMATIC**

SCALE	PROJECT No:	SHEET No:
AS SHOWN	17-0107-023	M11



PIPING SCHEMATIC
SCALE: N.T.S.

