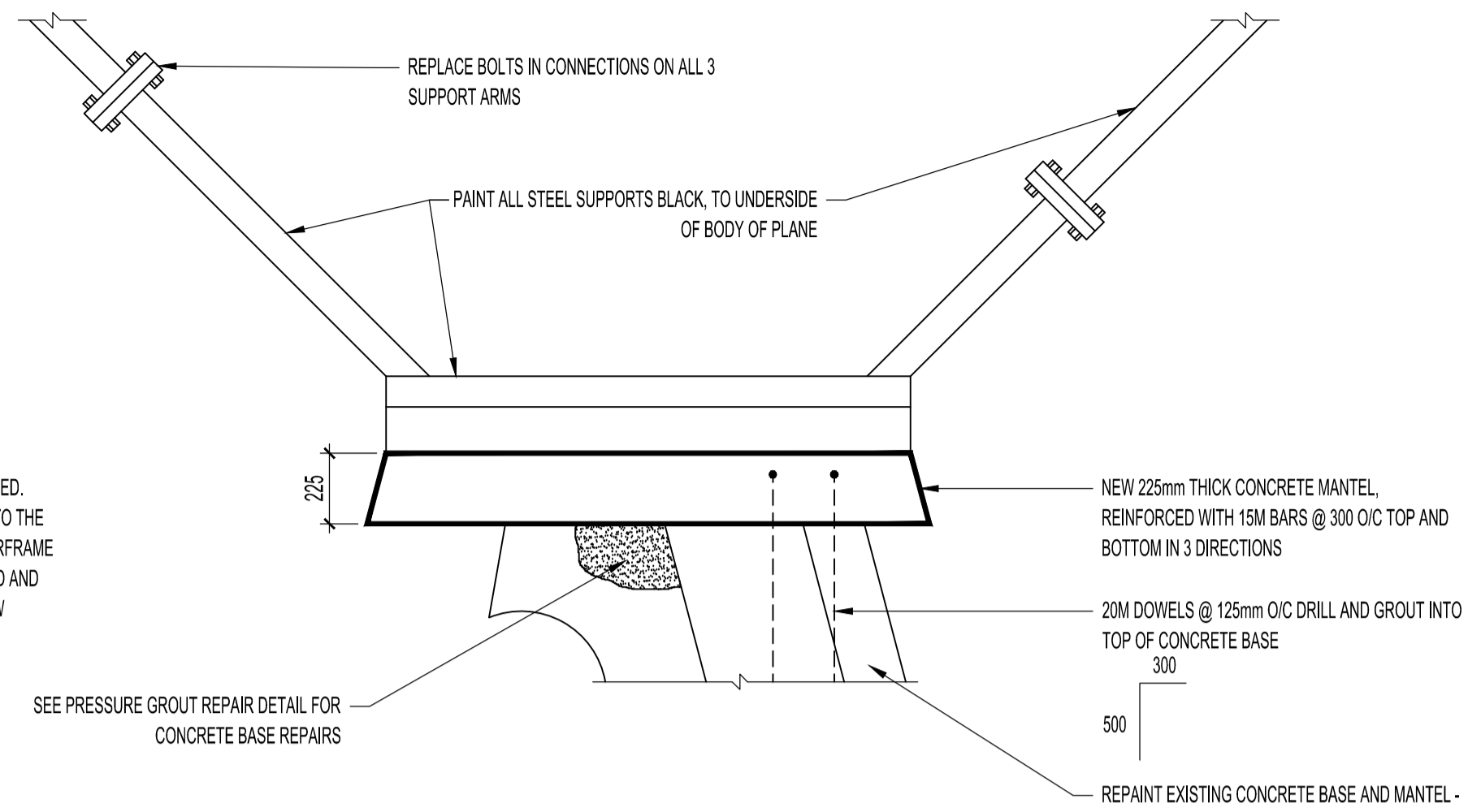
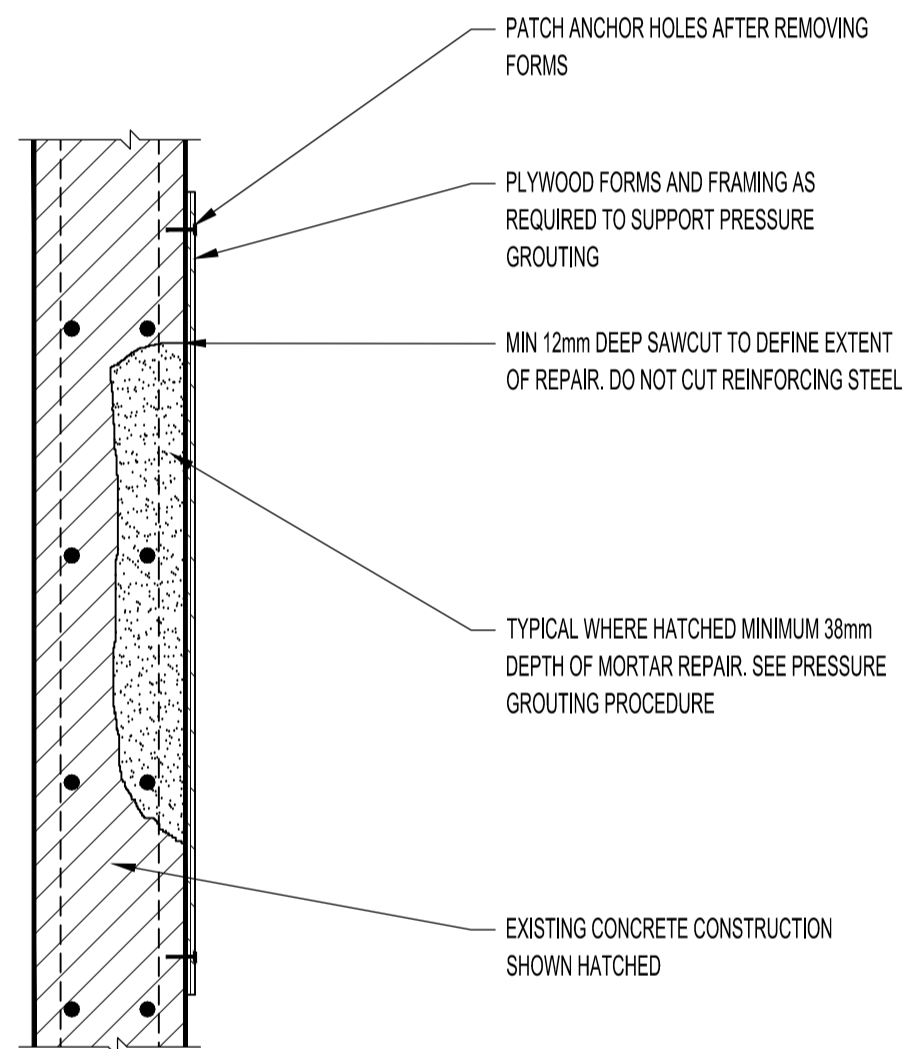


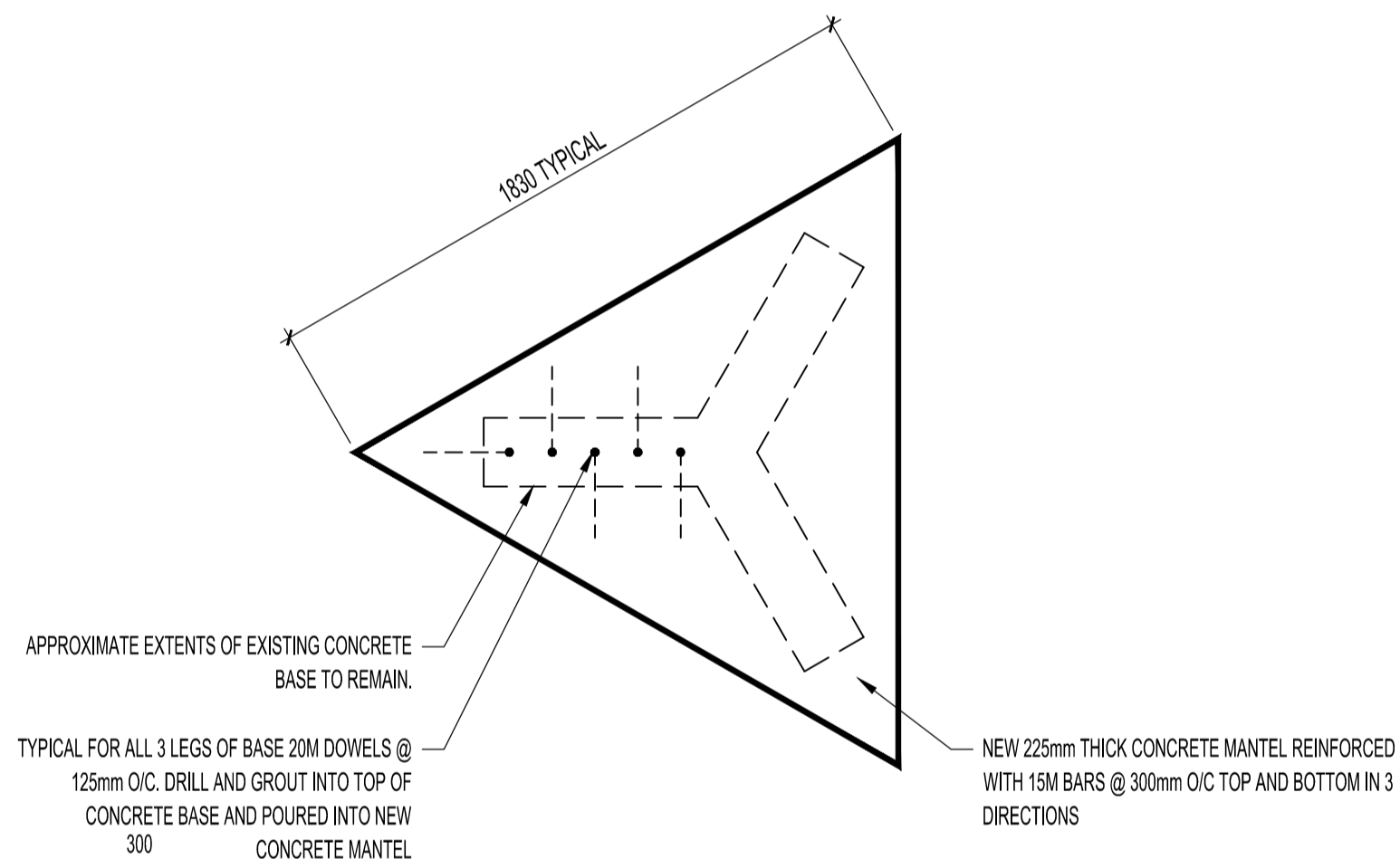
CONCRETE MANTEL DEMOLITION
SCALE 1:20



CONCRETE MANTEL RESTORATION
SCALE 1:20



PRESSURE GROUT REPAIR DETAIL BIDDERS TO PROVIDE UNIT PRICING PER cm² OF REPAIR MORTAR BASED ON 100,000 cm²
SCALE 1:10



CONCRETE MANTEL PLAN
SCALE 1:20

NOTES:
THESE DRAWINGS SHALL NOT BE SCALED.
THE CONTRACTOR SHALL VISIT THE SITE AND SATISFY ONESELF ALL DIMENSIONS, DATUM, AND DETAILED INFORMATION SHOWN ARE CORRECT
ALL PRODUCTS AND MATERIALS TO BE USED AND INSTALLED SHALL CONFORM WITH MANUFACTURERS SPECIFICATIONS & APPLICABLE CODES.
THE CONTRACTOR SHALL BE RESPONSIBLE TO PATCH AND MAKE GOOD ALL EXISTING CONSTRUCTION AFFECTED BY THE REMOVAL OF ALL ITEMS FORMING THE PART OF THE RENOVATION WORK.

0	ISSUED FOR REVIEW	JAW	MAY 9 2018
No.	REVISION/DESCRIPTION	BY	DATE

PRESSURE GROUTING PROCEDURE	CONCRETE	REINFORCING
1. REMOVE ALL LOOSE AND DELAMINATED CONCRETE ABOVE AND AROUND CORRODED REINFORCING STEEL.	1. CONCRETE MATERIALS AND WORKMANSHIP SHALL BE IN ACCORDANCE WITH CANCSA-A23.1 (LATEST EDITION). SEE BELOW FOR MIX REQUIREMENTS.	1. ALL BARS TO CONFORM TO CSA G30.16-M92, GRADE 400
2. EXTEND CONCRETE REMOVAL TO ENSURE REINFORCING BARS ARE COMPLETELY FREE OF CORROSION AND WELL BONDED TO THE SURROUNDING CONCRETE.	2. CEMENT TYPE SHALL BE AS NOTED IN INDIVIDUAL MIX DESIGNS TO CANCSA-A5 (LATEST).	2. ALL STEEL TO BE DETAILED IN ACCORDANCE WITH THE CURRENT ACI DETAILING MANUAL.
3. WHERE THE CONCRETE REMOVAL HAS EXTENDED TO EXPOSE MORE THAN 1/3 OF THE CIRCUMFERENCE OF A REINFORCING BAR, THE CONCRETE ADJACENT TO THE BAR SHALL BE REMOVED TO CREATE A MINIMUM OF 20mm CLEARANCE BETWEEN THE STEEL AND EXPOSED CONCRETE SURFACE.	3. MIX WATER TO BE POTABLE. CALCIUM CHLORIDE SHALL NOT BE USED	3. MINIMUM CLEAR COVER TO REINFORCING - 38mm
4. SANDBLAST THE EXPOSED AREA TO REMOVE ALL RUST FROM REINFORCING STEEL AND REMOVE ALL DELETERIOUS MATERIAL FROM CONCRETE SURFACES.	4. ADMIXTURES SHALL NOT BE USED UNLESS SPECIFIED HEREIN OR APPROVED BY THE DESIGN ENGINEER. CALCIUM CHLORIDE SHALL NOT BE USED.	4. ALL REINFORCING SHALL BE HELD IN PLACE WITH PROPER ACCESSORIES.
5. WHERE MORE THAN 30% OF THE CROSS-SECTIONAL AREA OF ANY REINFORCING STEEL HAS BEEN LOST DUE TO CORROSION, ADD ADDITIONAL BARS TO SUPPLEMENT.	5. DESIGN, FABRICATE AND ERECT FORMWORK/SHORING IN ACCORDANCE WITH CANCSA-S289.3-M92. ALLOW SUFFICIENT CONCRETE CURING TIME PRIOR TO REMOVAL.	5. DO NOT CUT REINFORCING AT OPENINGS WHERE IT CAN BE SPREAD CONTINUOUSLY AROUND OPENING.
6. PROVIDE PLYWOOD FORMWORK (WITH FORM RELEASE AGENT) TO MATCH ORIGINAL BEAM PROFILE, PROVIDING MINIMUM 25mm CONCRETE COVER TO MAIN REINFORCING STEEL.	6. PLACE AND SECURE ALL EMBEDDED ANCHORS, WELD PLATES, SLEEVES, BUCKS, DOWELS, INSERTS, WATERSTOPS, ETC., PRIOR TO POURING CONCRETE. CO-ORDINATE WITH ALL TRADES.	6. ALL REINFORCING STEEL SHALL BE CLEANED OF ALL DIRT, GREASE AND OTHER DELETERIOUS MATERIALS PRIOR TO PLACING.
7. PROVIDE DRAINAGE OUTLETS FOR PRESOAKING AND SUITABLE ACCESS POINTS TO PUMP IN REPAIR MORTAR.	7. PROVIDE ADEQUATE COLD/HOT WEATHER PROTECTION AS REQUIRED DURING CURING PERIOD.	7. ALL REINFORCING SHALL BE NEW BILLET DEFORMED BARS.
8. SEAL AROUND EDGE OF FORMWORK.	8. CONCRETE MIX DESIGN	8. REINFORCING STEEL SUPPLIER SHALL SUBMIT SHOP DRAWINGS FOR REVIEW OF FABRICATION, SIZES, DIMENSIONS, PLACEMENT AND SPJUCE LOCATIONS.
9. MIX AND PUMP IN MASTEREMACO S 440 MC SELF-CONSOLIDATING REPAIR MORTAR IN ACCORDANCE WITH MANUFACTURERS RECOMMENDATIONS (MIN. 38mm DEPTH)	28 DAY COMP. STRENGTH 30 MPA CEMENT TYPE 10 W/C RATIO 0.45 AGGREGATE SIZE (MAX.) 3/4" ENTRAINED AIR 4%-6% SLUMP (MAX.) 3 1/2" (±1/2")	
10. LEAVE FORMWORK IN PLACE FOR A MINIMUM OF 4 DAYS.		

DRAWN	JAW	CHECKED	BON	DESIGNED	BON	APPROVED	BON
DATE	2018.05.09	USER					

Winnipeg THE CITY OF WINNIPEG PLANNING, PROPERTY AND DEVELOPMENT DEPARTMENT MUNICIPAL ACCOMMODATIONS DIVISION 3-65 GARRY STREET, R3C 4K4

PROJECT STURGEON CREEK PARK REPAIRS TO JET PLANE MONUMENT

PORTAGE AVENUE
SHEET TITLE
DEMOLITION AND RENOVATION PLANS AND DETAILS

SCALE	PROJECT No:	SHEET No:
AS SHOWN	2014-167	S1