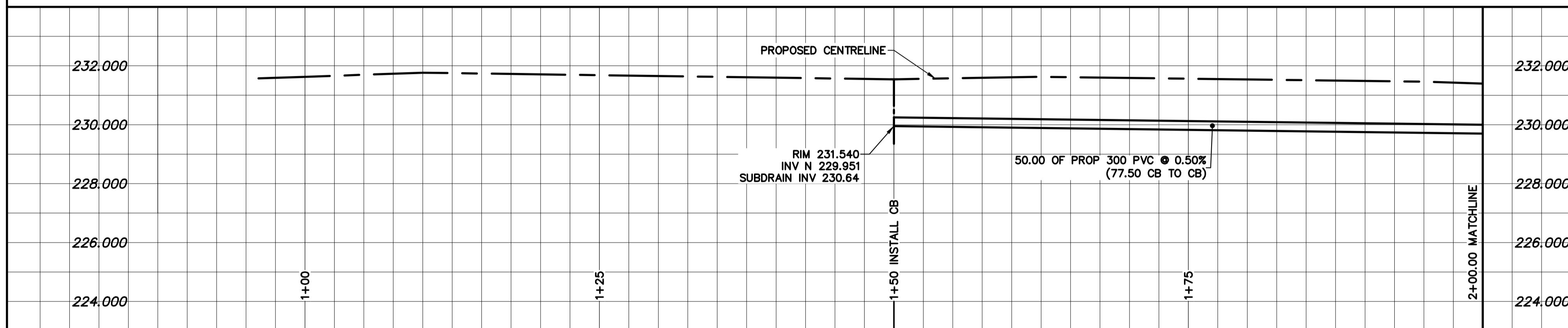


LANE PAVEMENT PROFILE

SCALE 1:250 HOR
1:10 VER

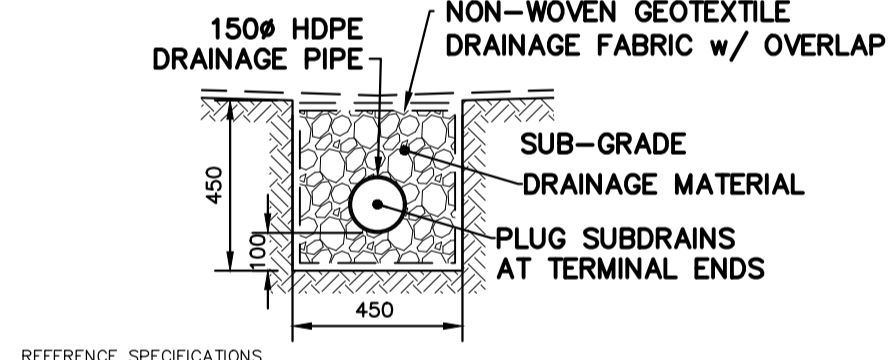
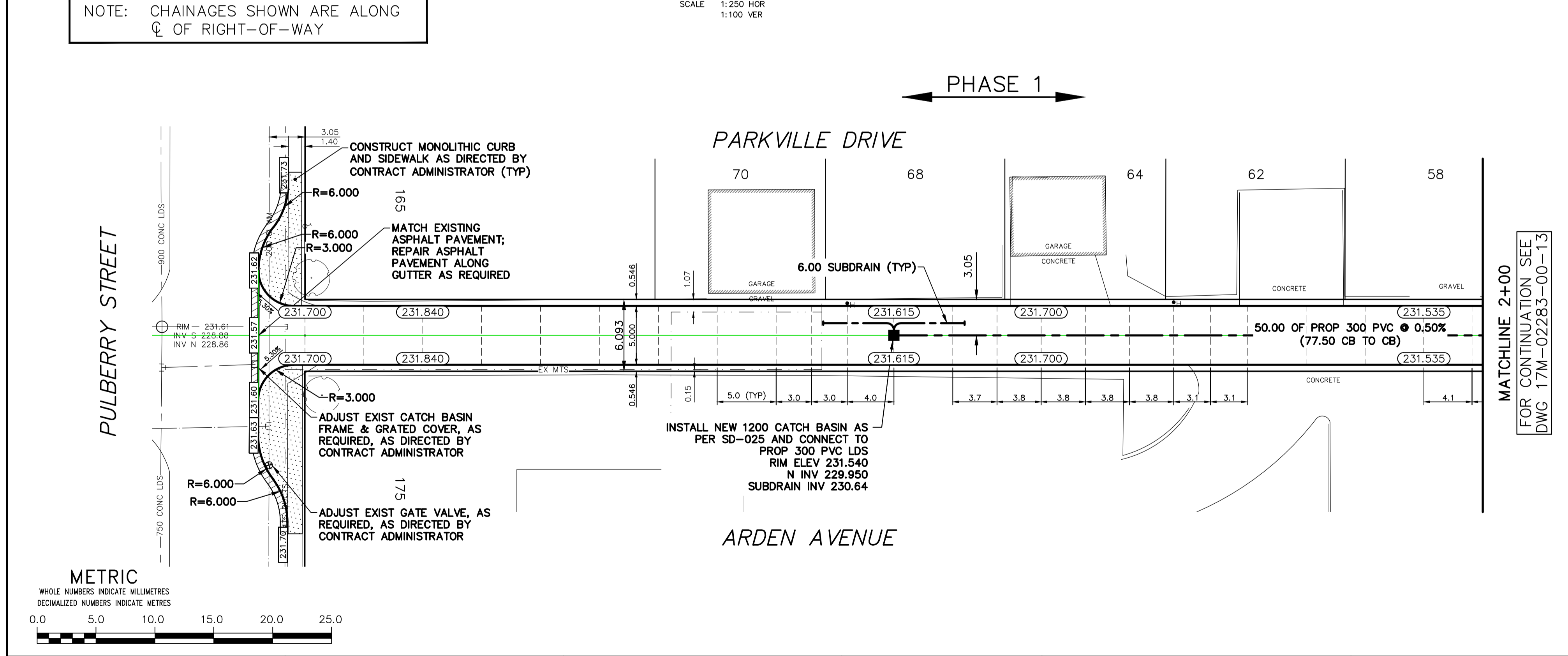
- NOTES:**
1. ALL WORK AND MATERIALS TO BE IN ACCORDANCE WITH THE LATEST REVISION OF THE CITY OF WINNIPEG STANDARD CONSTRUCTION SPECIFICATION.
 2. CONTRACTOR TO CONFIRM THE LOCATION OF ALL UTILITIES/SERVICES IN THE FIELD PRIOR TO CONSTRUCTION.
 3. CONTRACTOR TO AVOID DAMAGE TO EXISTING TREES WITHIN THE LIMITS OF THE ALLEY RIGHT OF WAY AS OUTLINED IN THE BID OPPORTUNITY.
 4. HYDRO POLES AND ANCHORS REQUIRING TEMPORARY SUPPORT TO BE DONE AT THE EXPENSE OF THE CONTRACTOR AS REQUIRED.
 5. WHERE UNSTABLE SUB-GRADES ARE ENCOUNTERED, ADDITIONAL EXCAVATION/SUB-BASE AND INSTALLATION OF GEOGRID TO BE DETERMINED BY THE CONTRACT ADMINISTRATOR AND CONSTRUCTED IN ACCORDANCE W/ CW-3110.
 6. PROPOSED ELEVATIONS GIVEN ARE FOR EDGE OF PAVEMENT.
 7. ISOLATE EXISTING HYDRO POLES AS PER SD-228C.
 8. RENEW CURB AND SIDEWALK AS DIRECTED BY THE CONTRACT ADMINISTRATOR.
 9. MODIFIED BARRIER CURBS TO BE CONSTRUCTED AT ALL BACK LANE RADII.
 10. ALL EXISTING PRIVATE APPROACHES TO BE RENEWED AS DIRECTED BY THE CONTRACT ADMINISTRATOR.
 11. ADJUSTMENTS TO PROPOSED CROSSFALL, WHERE REQUIRED, ARE TO BE DETERMINED BY THE CONTRACT ADMINISTRATOR TO SUIT EXISTING DRIVEWAYS, APPROACHES, ETC.
 12. ALL BOULEVARD RESTORATION TO BE SODDED UNLESS OTHERWISE NOTED.
 13. INSTALLATION OF LIP CURBS AND THEIR LIMITS THROUGH PRIVATE APPROACHES TO BE DETERMINED BY THE CONTRACT ADMINISTRATOR.
 14. REMOVE, ADJUST, AND SUPPLY PRECAST SIDEWALK BLOCKS AS DIRECTED BY THE CONTRACT ADMINISTRATOR.



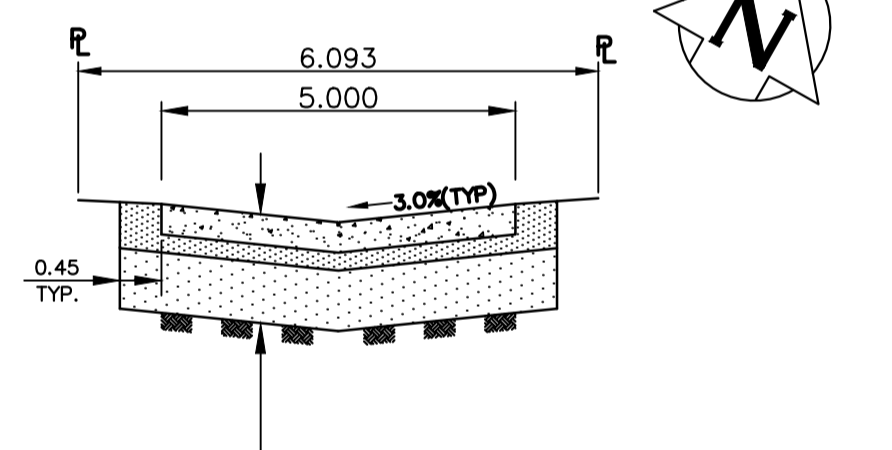
LAND DRAINAGE SEWER PROFILE

SCALE 1:250 HOR
1:100 VER

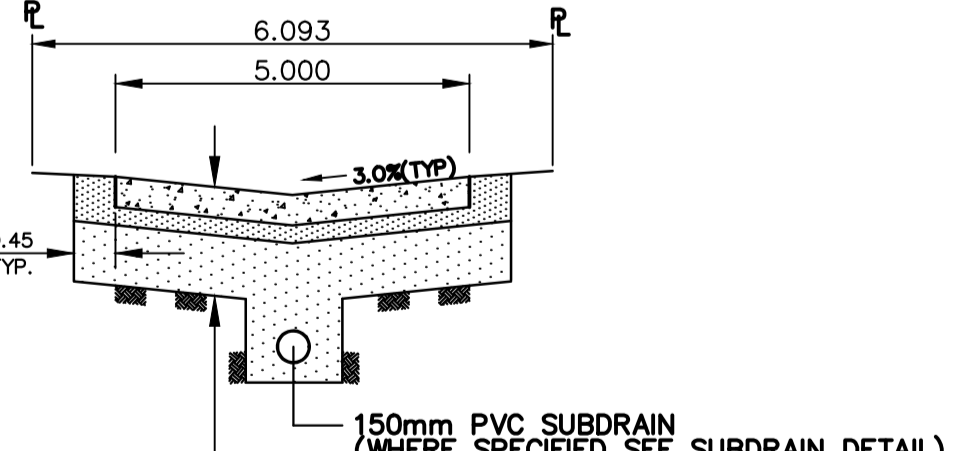
NOTE: CHAINAGES SHOWN ARE ALONG CL OF RIGHT-OF-WAY



TYPICAL ALLEY SUBDRAIN DETAIL
SCALE: N.T.S.



TYPICAL ALLEY CROSS SECTION
SCALE: N.T.S.



TYPICAL ALLEY CROSS SECTION WITH SUBDRAIN
SCALE: N.T.S.

**ENGINEERS
GEOLOGISTS
MANITOBA**
Certificate of Authorization
WSP Canada Group Limited
No. 6657

WATERMAIN	M.T.S.	WATERMAIN	LOCATION APPROVED UNDERGROUND STRUCTURES	B.M. ELEV.
HYDRANT	CONCRETE/ASPHALT	VALVE		
VALVE	SIDEWALK	LAND DRAINAGE SEWER		
CURB STOP	CURB RAMP	WASTE WATER SEWER		
LAND DRAINAGE SEWER	ELEVATIONS	CENTERLINE		
WASTE WATER SEWER	PROPERTY LINE	SOUTH & EAST GUTTER		
CB LEAD	SURVEY BAR	NORTH & WEST GUTTER		
MANHOLE	HYDRO POLE	S & E GARAGE PAD		
CATCH BASIN	STREET LIGHT	N & W GARAGE PAD		
GAS	JOINTS			
HYDRO	ASPHALT REPAIR			
EXISTING	LEGEND - PLAN	PROPOSED	EXISTING	LEGEND - PROFILE
			EXISTING	

NOTE: LOCATION OF UNDERGROUND STRUCTURES AS SHOWN ARE BASED ON THE BEST INFORMATION AVAILABLE BUT NO GUARANTEE IS GIVEN THAT ALL EXISTING UTILITIES ARE SHOWN OR THAT THE GIVEN LOCATIONS ARE EXACT. CONFIRMATION OF EXISTENCE AND EXACT LOCATION OF ALL SERVICES MUST BE OBTAINED FROM THE INDIVIDUAL UTILITIES BEFORE PROCEEDING WITH CONSTRUCTION.

NO	REVISIONS	DATE	BY
1	ISSUED FOR TENDER	18/03/20	R.H.
2	DETAILED DESIGN REVIEW	18/03/20	K.G.
3	PRELIMINARY DESIGN REVIEW	18/01/15	K.G.

wsp
111-93 Lombard Avenue
Winnipeg, Manitoba
R3B 3B1 Canada
Phone: 204-943-3178
Fax: 204-943-4948
wsp.com

DESIGNED BY: K.G.
CHECKED BY: R.H.
DRAWN BY: R.H.
APPROVED BY: S.M.
HOR. SCALE: 1:250
VERT. SCALE: 1:25
JANUARY 2018

NOT FOR CONSTRUCTION
CONSULTANT DRAWING NO. 17M-02283-00-12

Winnipeg THE CITY OF WINNIPEG
PUBLIC WORKS DEPARTMENT

2018 ALLEY RENEWALS
PARKVILLE DRIVE / ARDEN AVENUE ALLEY
FROM PULBERRY STREET TO MATCHLINE AT STA 2+00
CONCRETE PAVEMENT

CITY DRAWING NO. SHEET 1 OF 3
BID OPPORTUNITY 27-2018