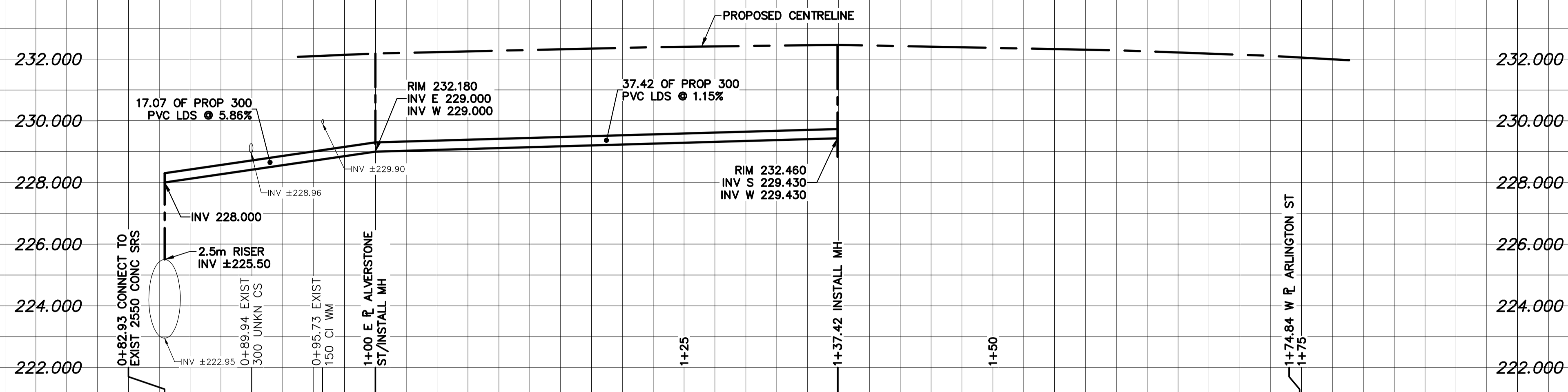


ALLEY PAVEMENT PROFILE

SCALE: 1:250 HOR
1:10 VERT

- NOTES:**
1. ALL WORK AND MATERIALS TO BE IN ACCORDANCE WITH THE LATEST REVISION OF THE CITY OF WINNIPEG STANDARD CONSTRUCTION SPECIFICATION.
 2. CONTRACTOR TO CONFIRM THE LOCATION OF ALL UTILITIES/SERVICES IN THE FIELD PRIOR TO CONSTRUCTION.
 3. CONTRACTOR TO AVOID DAMAGE TO EXISTING TREES WITHIN THE LIMITS OF THE ALLEY RIGHT OF WAY AS OUTLINED IN THE BID OPPORTUNITY.
 4. HYDRO POLES AND ANCHORS REQUIRING TEMPORARY SUPPORT TO BE DONE AT THE EXPENSE OF THE CONTRACTOR AS REQUIRED.
 5. WHERE UNSTABLE SUB-GRADES ARE ENCOUNTERED, ADDITIONAL EXCAVATION/SUB-BASE AND INSTALLATION OF GEOTRID TO BE DETERMINED BY THE CONTRACT ADMINISTRATOR AND CONSTRUCTED IN ACCORDANCE W/ CW-3110.
 6. PROPOSED ELEVATIONS GIVEN ARE FOR EDGE OF PAVEMENT.
 7. ISOLATE EXISTING HYDRO POLES AS PER SD-228C.
 8. RENEW CURB AND SIDEWALK AS DIRECTED BY THE CONTRACT ADMINISTRATOR.
 9. MODIFIED BARRIER CURB TO BE CONSTRUCTED AT ALL BACK LANE RADII.
 10. ALL EXISTING PRIVATE APPROACHES TO BE RENEWED AS DIRECTED BY THE CONTRACT ADMINISTRATOR.
 11. ADJUSTMENTS TO PROPOSED CROSSFALL, WHERE REQUIRED, ARE TO BE DETERMINED BY THE CONTRACT ADMINISTRATOR TO SUIT EXISTING DRIVEWAYS, APPROACHES, ETC.
 12. ALL BOULEVARD RESTORATION TO BE SODDED UNLESS OTHERWISE NOTED.
 13. INSTALLATION OF LIP CURBS AND THEIR LIMITS THROUGH PRIVATE APPROACHES TO BE DETERMINED BY THE CONTRACT ADMINISTRATOR.
 14. REMOVE, ADJUST, AND SUPPLY PRECAST SIDEWALK BLOCKS AS DIRECTED BY THE CONTRACT ADMINISTRATOR.



LAND DRAINAGE SEWER PROFILE

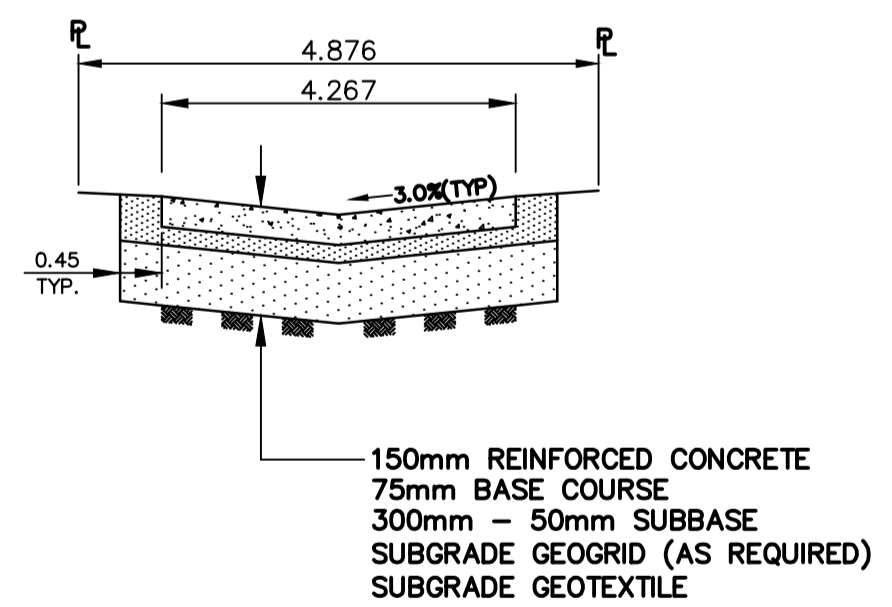
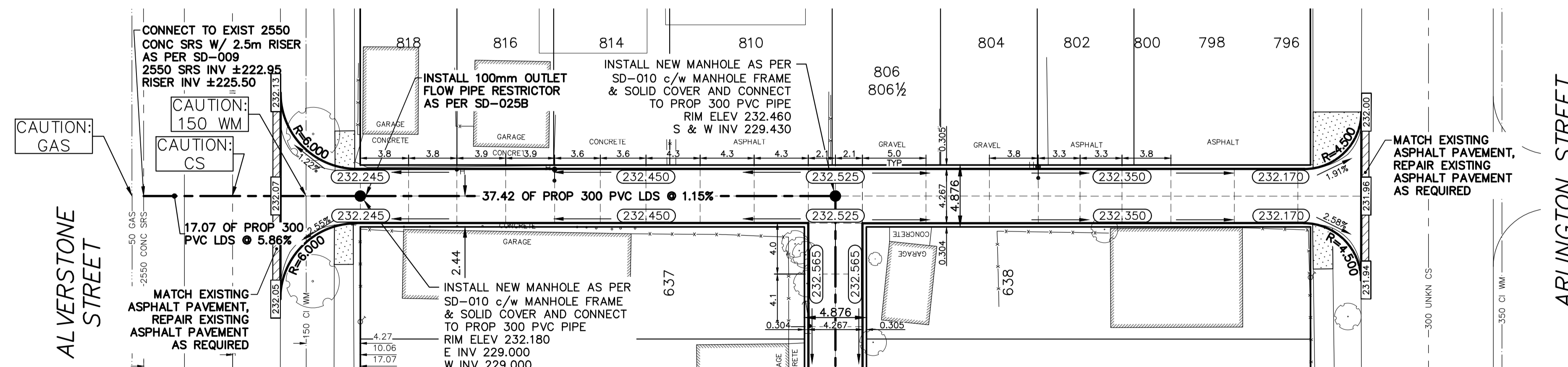
SCALE: 1:250 HOR
1:100 VERT

THERE SHALL BE NO INCREASE IN CUMULATIVE PEAK FLOW ENTERING CS AND/OR SRS SYSTEMS AS A RESULT OF CONSTRUCTION WORKS SHOWN.

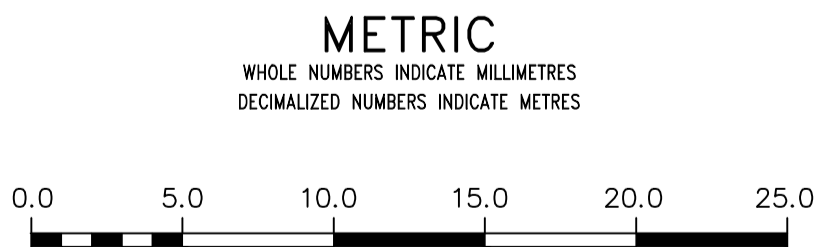
NOTE: CHAINAGES SHOWN ARE ALONG Q OF RIGHT-OF-WAY



PHASE 2
SARGENT AVENUE



TYPICAL ALLEY CROSS SECTION
SCALE: N.T.S.



FOR CONTINUATION SEE
DWG 17M-02283-00-19

**ENGINEERS
GEOSCIENTISTS
MANITOBA**
Certificate of Authorization
WSP Canada Group Limited
No. 6657

<table border="1"> <tr> <td>WATERMAIN</td> <td>CONCRETE/ASPHALT</td> <td>150 MM</td> <td>WATERMAIN</td> <td>150 MM</td> </tr> <tr> <td>HYDRANT</td> <td>SIDEWALK</td> <td>300 LDS</td> <td>VALVE</td> <td>300 LDS</td> </tr> <tr> <td>VALVE</td> <td>CURB RAMP</td> <td>250 WWS</td> <td>LAND DRAINAGE SEWER</td> <td>300 LDS</td> </tr> <tr> <td>CURB STOP</td> <td>ELEVATIONS</td> <td>(232.00)</td> <td>WASTE WATER SEWER</td> <td>250 WWS</td> </tr> <tr> <td>LAND DRAINAGE SEWER</td> <td>PROPERTY LINE</td> <td></td> <td>CENTERLINE</td> <td></td> </tr> <tr> <td>WASTE WATER SEWER</td> <td>SURVEY BAR</td> <td></td> <td>SOUTH & EAST GUTTER</td> <td></td> </tr> <tr> <td>CB LEAD</td> <td>HYDRO POLE</td> <td></td> <td>NORTH & WEST GUTTER</td> <td></td> </tr> <tr> <td>MANHOLE</td> <td>STREET LIGHT</td> <td></td> <td>S & E GARAGE PAD</td> <td></td> </tr> <tr> <td>CATCH BASIN</td> <td>JOINTS</td> <td></td> <td>N & W GARAGE PAD</td> <td></td> </tr> <tr> <td>GAS</td> <td>ASPHALT REPAIR</td> <td></td> <td></td> <td></td> </tr> <tr> <td>HYDRO</td> <td></td> <td></td> <td></td> <td></td> </tr> </table>	WATERMAIN	CONCRETE/ASPHALT	150 MM	WATERMAIN	150 MM	HYDRANT	SIDEWALK	300 LDS	VALVE	300 LDS	VALVE	CURB RAMP	250 WWS	LAND DRAINAGE SEWER	300 LDS	CURB STOP	ELEVATIONS	(232.00)	WASTE WATER SEWER	250 WWS	LAND DRAINAGE SEWER	PROPERTY LINE		CENTERLINE		WASTE WATER SEWER	SURVEY BAR		SOUTH & EAST GUTTER		CB LEAD	HYDRO POLE		NORTH & WEST GUTTER		MANHOLE	STREET LIGHT		S & E GARAGE PAD		CATCH BASIN	JOINTS		N & W GARAGE PAD		GAS	ASPHALT REPAIR				HYDRO					<p>LOCATION APPROVED UNDERGROUND STRUCTURES</p> <p>SUPV. U/G STRUCTURES DATE COMMITTEE</p> <p>NOTE: LOCATION OF UNDERGROUND STRUCTURES AS SHOWN ARE BASED ON THE BEST INFORMATION AVAILABLE BUT NO GUARANTEE IS GIVEN THAT ALL EXISTING UTILITIES ARE SHOWN OR THAT THE GIVEN LOCATIONS ARE EXACT. CONFIRMATION OF EXISTENCE AND EXACT LOCATION OF ALL SERVICES MUST BE OBTAINED FROM THE INDIVIDUAL UTILITIES BEFORE PROCEEDING WITH CONSTRUCTION.</p>	<table border="1"> <tr> <td>B.M. ELEV.</td> <td></td> <td></td> <td></td> </tr> <tr> <td>DESIGNED BY</td> <td>K.G.</td> <td>CHECKED BY</td> <td>R.H.</td> </tr> <tr> <td>DRAWN BY</td> <td>D.R./K.G.</td> <td>APPROVED BY</td> <td>S.M.</td> </tr> <tr> <td>HOR. SCALE:</td> <td>1:250</td> <td>RELEASED FOR CONSTRUCTION</td> <td></td> </tr> <tr> <td>VERT. SCALE:</td> <td>AS SHOWN</td> <td></td> <td></td> </tr> <tr> <td>DESIGNED</td> <td>BY</td> <td>DATE</td> <td>BY</td> </tr> <tr> <td>4</td> <td>ISSUED FOR TENDER</td> <td>18/03/19</td> <td>K.G.</td> </tr> <tr> <td>3</td> <td>UGS REVIEW</td> <td>18/02/23</td> <td>K.G.</td> </tr> <tr> <td>2</td> <td>DETAILED DESIGN REVIEW</td> <td>18/02/16</td> <td>K.G.</td> </tr> <tr> <td>1</td> <td>PRELIMINARY DESIGN REVIEW</td> <td>18/01/15</td> <td>K.G.</td> </tr> <tr> <td>NO</td> <td>REVISIONS</td> <td>DATE</td> <td>BY</td> </tr> </table>	B.M. ELEV.				DESIGNED BY	K.G.	CHECKED BY	R.H.	DRAWN BY	D.R./K.G.	APPROVED BY	S.M.	HOR. SCALE:	1:250	RELEASED FOR CONSTRUCTION		VERT. SCALE:	AS SHOWN			DESIGNED	BY	DATE	BY	4	ISSUED FOR TENDER	18/03/19	K.G.	3	UGS REVIEW	18/02/23	K.G.	2	DETAILED DESIGN REVIEW	18/02/16	K.G.	1	PRELIMINARY DESIGN REVIEW	18/01/15	K.G.	NO	REVISIONS	DATE	BY	<p>NOT FOR CONSTRUCTION</p> <p>CONSULTANT DRAWING NO. 17M-02283-00-20</p>	<p>THE CITY OF WINNIPEG PUBLIC WORKS DEPARTMENT</p> <p>2018 ALLEY RENEWALS SARGENT AVENUE ALLEY FROM ALVERSTONE STREET TO ARLINGTON STREET CONCRETE PAVEMENT</p> <p>CITY DRAWING NO. SHEET 4 OF 4 BID OPPORTUNITY 28-2018</p>
WATERMAIN	CONCRETE/ASPHALT	150 MM	WATERMAIN	150 MM																																																																																																			
HYDRANT	SIDEWALK	300 LDS	VALVE	300 LDS																																																																																																			
VALVE	CURB RAMP	250 WWS	LAND DRAINAGE SEWER	300 LDS																																																																																																			
CURB STOP	ELEVATIONS	(232.00)	WASTE WATER SEWER	250 WWS																																																																																																			
LAND DRAINAGE SEWER	PROPERTY LINE		CENTERLINE																																																																																																				
WASTE WATER SEWER	SURVEY BAR		SOUTH & EAST GUTTER																																																																																																				
CB LEAD	HYDRO POLE		NORTH & WEST GUTTER																																																																																																				
MANHOLE	STREET LIGHT		S & E GARAGE PAD																																																																																																				
CATCH BASIN	JOINTS		N & W GARAGE PAD																																																																																																				
GAS	ASPHALT REPAIR																																																																																																						
HYDRO																																																																																																							
B.M. ELEV.																																																																																																							
DESIGNED BY	K.G.	CHECKED BY	R.H.																																																																																																				
DRAWN BY	D.R./K.G.	APPROVED BY	S.M.																																																																																																				
HOR. SCALE:	1:250	RELEASED FOR CONSTRUCTION																																																																																																					
VERT. SCALE:	AS SHOWN																																																																																																						
DESIGNED	BY	DATE	BY																																																																																																				
4	ISSUED FOR TENDER	18/03/19	K.G.																																																																																																				
3	UGS REVIEW	18/02/23	K.G.																																																																																																				
2	DETAILED DESIGN REVIEW	18/02/16	K.G.																																																																																																				
1	PRELIMINARY DESIGN REVIEW	18/01/15	K.G.																																																																																																				
NO	REVISIONS	DATE	BY																																																																																																				