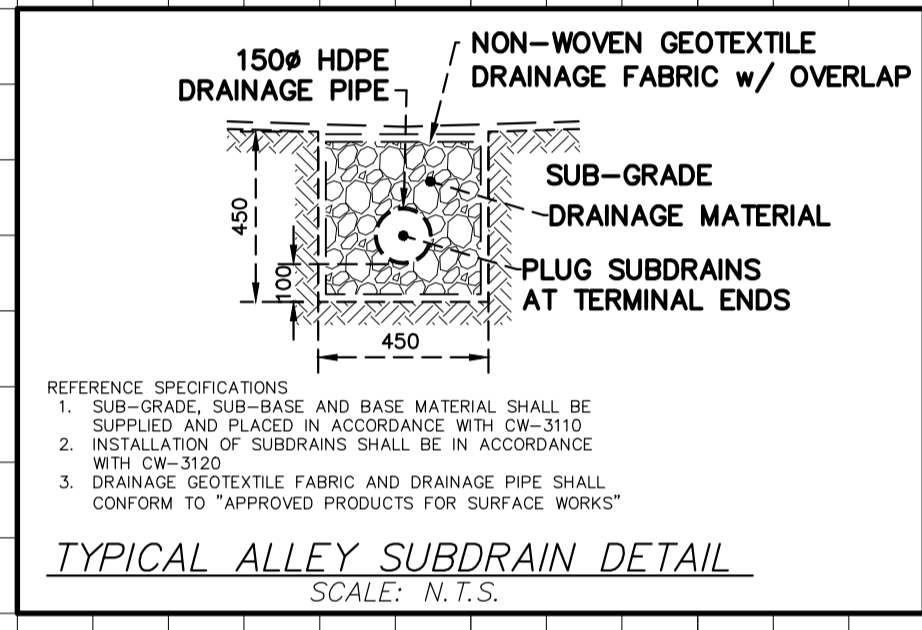
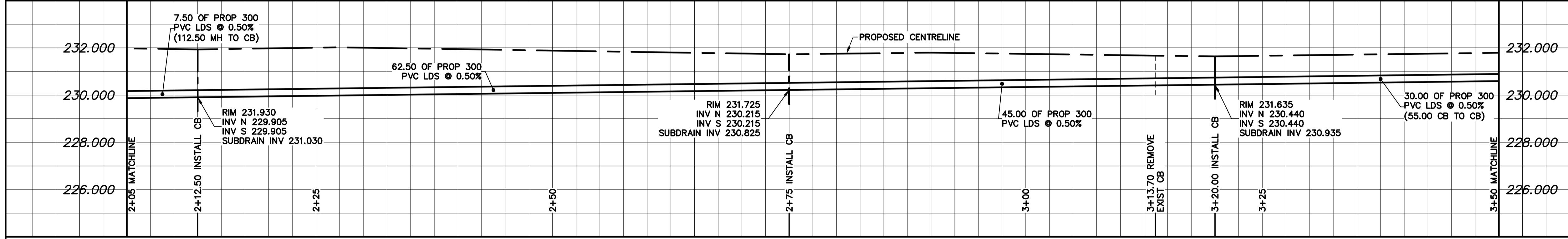


- NOTES:**
1. ALL WORK AND MATERIALS TO BE IN ACCORDANCE WITH THE LATEST REVISION OF THE CITY OF WINNIPEG STANDARD CONSTRUCTION SPECIFICATION.
 2. CONTRACTOR TO CONFIRM THE LOCATION OF ALL UTILITIES/SERVICES IN THE FIELD PRIOR TO CONSTRUCTION.
 3. CONTRACTOR TO AVOID DAMAGE TO EXISTING TREES WITHIN THE LIMITS OF THE ALLEY RIGHT OF WAY AS OUTLINED IN THE BID OPPORTUNITY.
 4. HYDRO POLES AND ANCHORS REQUIRING TEMPORARY SUPPORT TO BE DONE AT THE EXPENSE OF THE CONTRACTOR AS REQUIRED.
 5. WHERE UNSTABLE SUB-GRADES ARE ENCOUNTERED, ADDITIONAL EXCAVATION/SUB-BASE AND INSTALLATION OF GEGRID TO BE DETERMINED BY THE CONTRACT ADMINISTRATOR AND CONSTRUCTED IN ACCORDANCE W/ CW-3110.
 6. PROPOSED ELEVATIONS GIVEN ARE FOR EDGE OF PAVEMENT.
 7. ISOLATE EXISTING HYDRO POLES AS PER SD-228C.
 8. RENEW CURB AND SIDEWALK AS DIRECTED BY THE CONTRACT ADMINISTRATOR.
 9. MODIFIED BARRIER CURB TO BE CONSTRUCTED AT ALL BACK LANE RADII.
 10. ALL EXISTING PRIVATE APPROACHES TO BE RENEWED AS DIRECTED BY THE CONTRACT ADMINISTRATOR.
 11. ADJUSTMENTS TO PROPOSED CROSSFALL, WHERE REQUIRED, ARE TO BE DETERMINED BY THE CONTRACT ADMINISTRATOR TO SUIT EXISTING DRIVEWAYS, APPROACHES, ETC.
 12. ALL BOULEVARD RESTORATION TO BE SOODED UNLESS OTHERWISE NOTED.
 13. INSTALLATION OF LIP CURBS AND THEIR LIMITS THROUGH PRIVATE APPROACHES TO BE DETERMINED BY THE CONTRACT ADMINISTRATOR.
 14. REMOVE, ADJUST, AND SUPPLY PRECAST SIDEWALK BLOCKS AS DIRECTED BY THE CONTRACT ADMINISTRATOR.

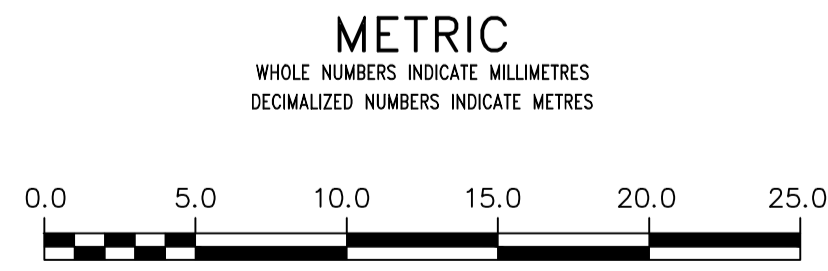
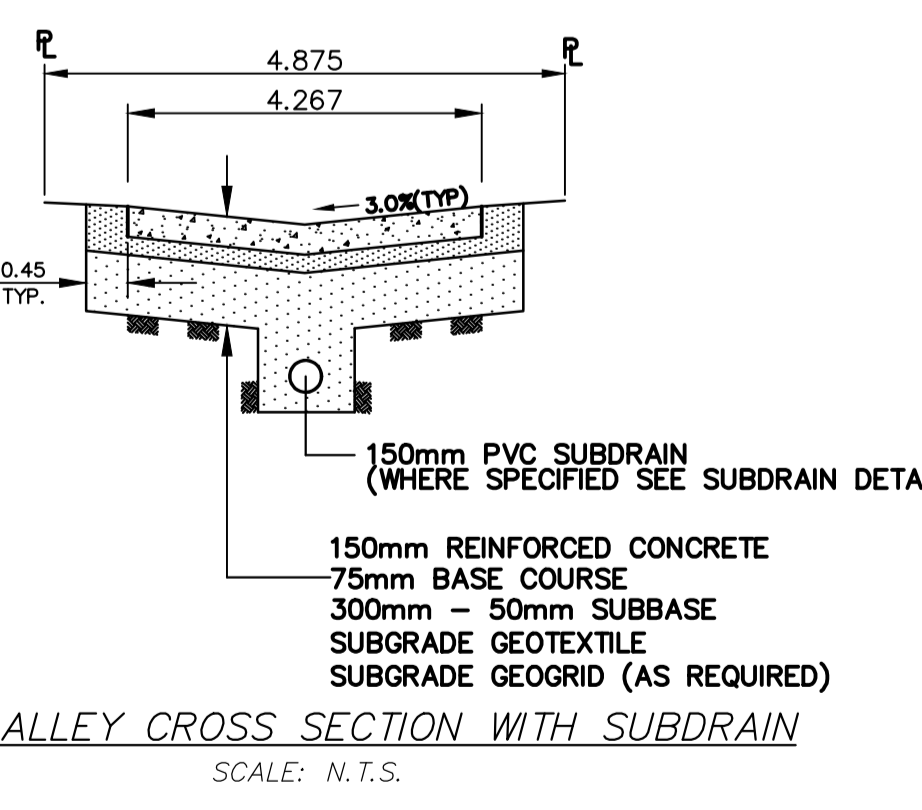
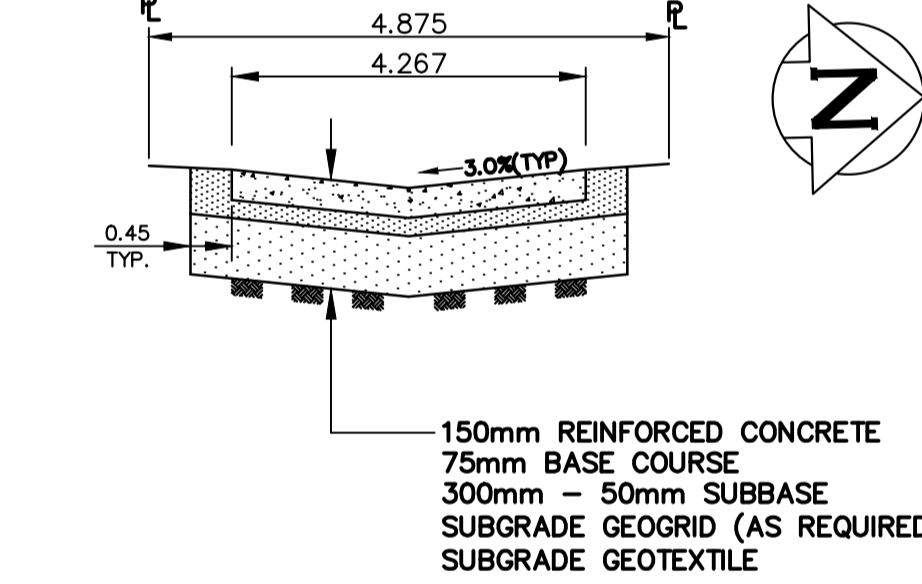
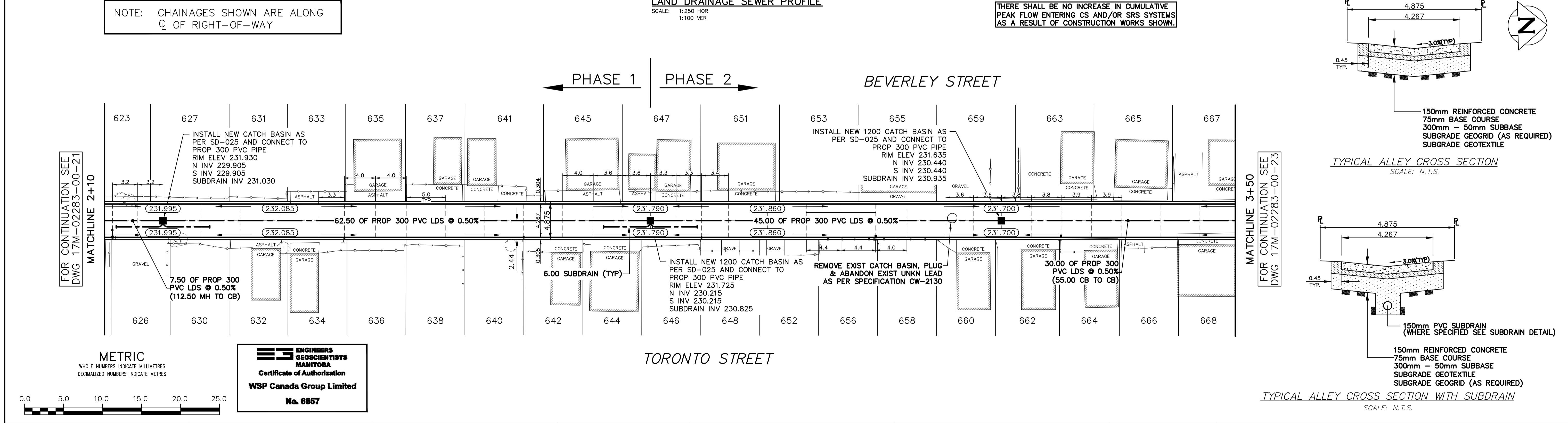
ALLEY PAVEMENT PROFILE
SCALE: 1:250 HOR
1:10 VER



LAND DRAINAGE SEWER PROFILE
SCALE: 1:250 HOR
1:100 VER

THERE SHALL BE NO INCREASE IN CUMULATIVE PEAK FLOW ENTERING CS AND/OR SRS SYSTEMS AS A RESULT OF CONSTRUCTION WORKS SHOWN.

NOTE: CHAINAGES SHOWN ARE ALONG C OF RIGHT-OF-WAY



**ENGINEERS
GEOSCIENTISTS
MANITOBA**
Certificate of Authorization
WSP Canada Group Limited
No. 6657

WATERMAIN	CONCRETE/ASPHALT	150 MM	WATERMAIN	150 MM
HYDRANT	SIDEWALK	300 LDS	VALVE	300 LDS
VALVE	CURB RAMP	250 WWS	LAND DRAINAGE SEWER	300 LDS
CURB STOP	ELEVATIONS	(232.00)	WASTE WATER SEWER	250 WWS
LAND DRAINAGE SEWER	PROPERTY LINE		CENTERLINE	
WASTE WATER SEWER	SURVEY BAR		SOUTH & EAST GUTTER	
CB LEAD	HYDRO POLE		NORTH & WEST GUTTER	
MANHOLE	STREET LIGHT		S & E GARAGE PAD	
CATCH BASIN	JOINTS		N & W GARAGE PAD	
GAS	ASPHALT REPAIR			
HYDRO				
EXISTING	LEGEND - PLAN	PROPOSED	EXISTING	LEGEND - PROFILE
				PROPOSED

LOCATION APPROVED UNDERGROUND STRUCTURES

SUPV. U/G STRUCTURES DATE COMMITTEE

NOTE:
LOCATION OF UNDERGROUND STRUCTURES AS SHOWN ARE BASED ON THE BEST INFORMATION AVAILABLE BUT NO GUARANTEE IS GIVEN THAT ALL EXISTING UTILITIES ARE SHOWN OR THAT THE GIVEN LOCATIONS ARE EXACT. CONFIRMATION OF EXISTENCE AND EXACT LOCATION OF ALL SERVICES MUST BE OBTAINED FROM THE INDIVIDUAL UTILITIES BEFORE PROCEEDING WITH CONSTRUCTION.

REVISIONS

NO	REVISIONS	DATE	BY
1 <td>ISSUED FOR TENDER</td> <td>18/03/19</td> <td>K.G.</td>	ISSUED FOR TENDER	18/03/19	K.G.
2 <td>UGS REVIEW</td> <td>18/02/23</td> <td>K.G.</td>	UGS REVIEW	18/02/23	K.G.
3 <td>DETAILED DESIGN REVIEW</td> <td>18/02/16</td> <td>K.G.</td>	DETAILED DESIGN REVIEW	18/02/16	K.G.
4 <td>PRELIMINARY DESIGN REVIEW</td> <td>18/01/15</td> <td>K.G.</td>	PRELIMINARY DESIGN REVIEW	18/01/15	K.G.

wsp

111-93 Lombard Avenue
Winnipeg, Manitoba
R3B 3B1 Canada
Phone: 204-943-3178
Fax: 204-943-4948
wsp.com

DESIGNED BY: K.G.
CHECKED BY: R.H.
DRAWN BY: D.R./K.G.
APPROVED BY: S.M.
HOR. SCALE: 1:250
VERT. SCALE: 1:25
DESIGNED: JANUARY 2018

NOT FOR CONSTRUCTION

CONSULTANT DRAWING NO.
17M-02283-00-22

THE CITY OF WINNIPEG
PUBLIC WORKS DEPARTMENT

2018 ALLEY RENEWALS
BEVERLY STREET / TORONTO STREET ALLEY
FROM STA 2+05 TO STA 3+50

CITY DRAWING NO.
SHEET 2 OF 3
BID OPPORTUNITY
28-2018