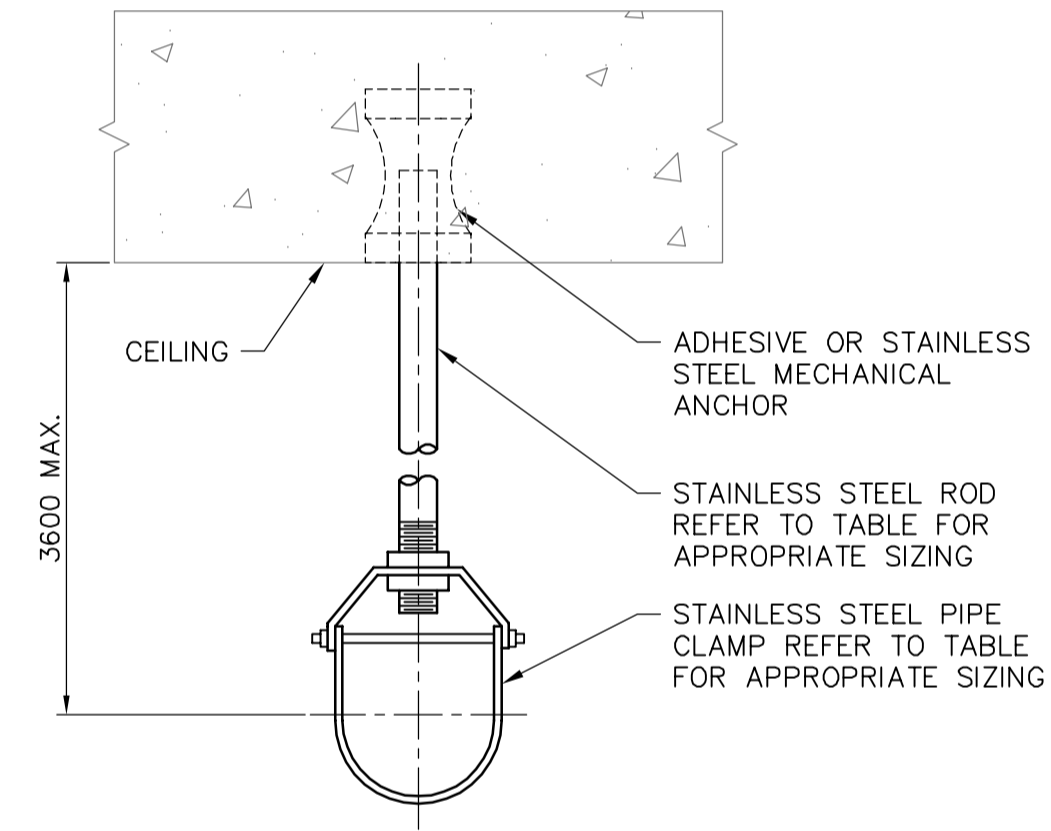


1 CLEAN OUT DETAIL  
SCALE 1:10



PIPE SIZE (mm)	ROD SIZE (mm)	MAX LOAD (kg)
150	20.0	1230

GRINNEL OR SIMILAR, SAFETY FACTOR = 5

2 PIPE SUPPORT  
SCALE NONE

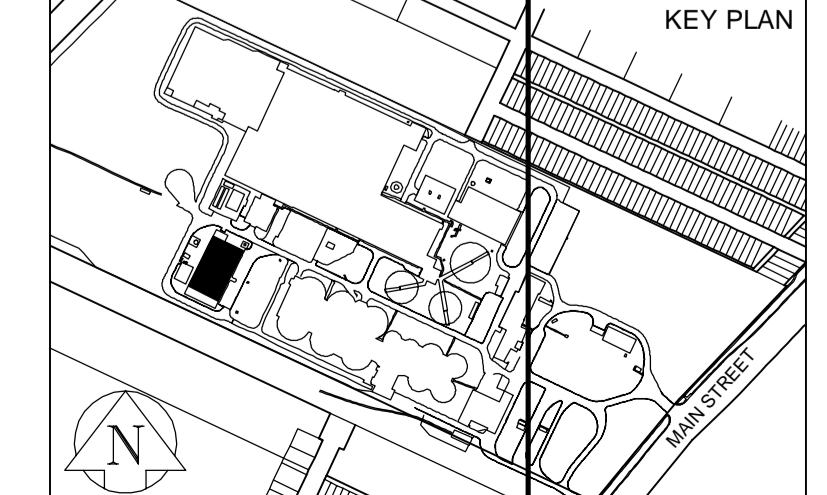


LOWER LEVEL PLAN  
SCALE : 1:100

NOTES:  
1. DIFFUSERS UNDER DECANTER ARRANGEMENTS OMITTED FOR CLARITY.

NOTICE:  
AS-CONSTRUCTED DIMENSIONS, MEASUREMENTS AND OTHER DETAILS CONTAINED IN THIS RECORD DRAWING HAVE BEEN OBTAINED BY AECOM CANADA LTD. ("AECOM") FROM VARIOUS SOURCES. SUCH INFORMATION REPRESENTS THE BEST INFORMATION AVAILABLE TO AECOM AT THE TIME OF PREPARATION OF THIS RECORD DRAWING. AECOM DOES NOT IN ANY WAY REPRESENT OR WARRANT THAT SUCH INFORMATION IS ACCURATE AND ASSUMES NO RESPONSIBILITY FOR ANY ERRORS OR OMISSIONS CONTAINED THEREIN.

REVISION 02 CHANGES	
THE ENGINEER'S DESIGN RESPONSIBILITIES ARE LIMITED TO THE CHANGES INDICATED IN THE CLOUDED WORK	
DESIGNED BY: NK	CHECKED BY: KJS
DRAWN BY: ES	APPROVED BY: KJS
DATE: 18/04/12	RELEASED FOR CONSTR. DATE: 18/04/12



B.M. ELEV.	NO.	REVISIONS	DATE	BY
	02	ISSUED FOR TENDER: BID OP 281-2018	18/04/12	ES
	01	ISSUED FOR CONSTRUCTION:	16/10/06	SE
	00	ISSUED FOR TENDER: BID OP 547-2016	16/06/23	SRG

**AECOM**

DESIGNED BY: NK	CHECKED BY: KJS
DRAWN BY: SRG	APPROVED BY: KJS
SCALE: HORIZONTAL NTS	RELEASED FOR CONSTRUCTION
DATE: 2018 04 12	DATE:

CONSULTANT DRAWING NUMBER  
D-1002

**THE CITY OF WINNIPEG**  
WATER AND WASTE DEPARTMENT  
ENGINEERING DIVISION

2016 NEWPCC  
SBR UPGRADES  
PROCESS  
SBR TANKS  
LOWER LEVEL PLAN & DETAILS

CITY DRAWING NUMBER: 1-0101C-P0051-001-02  
SHEET 5 OF 5