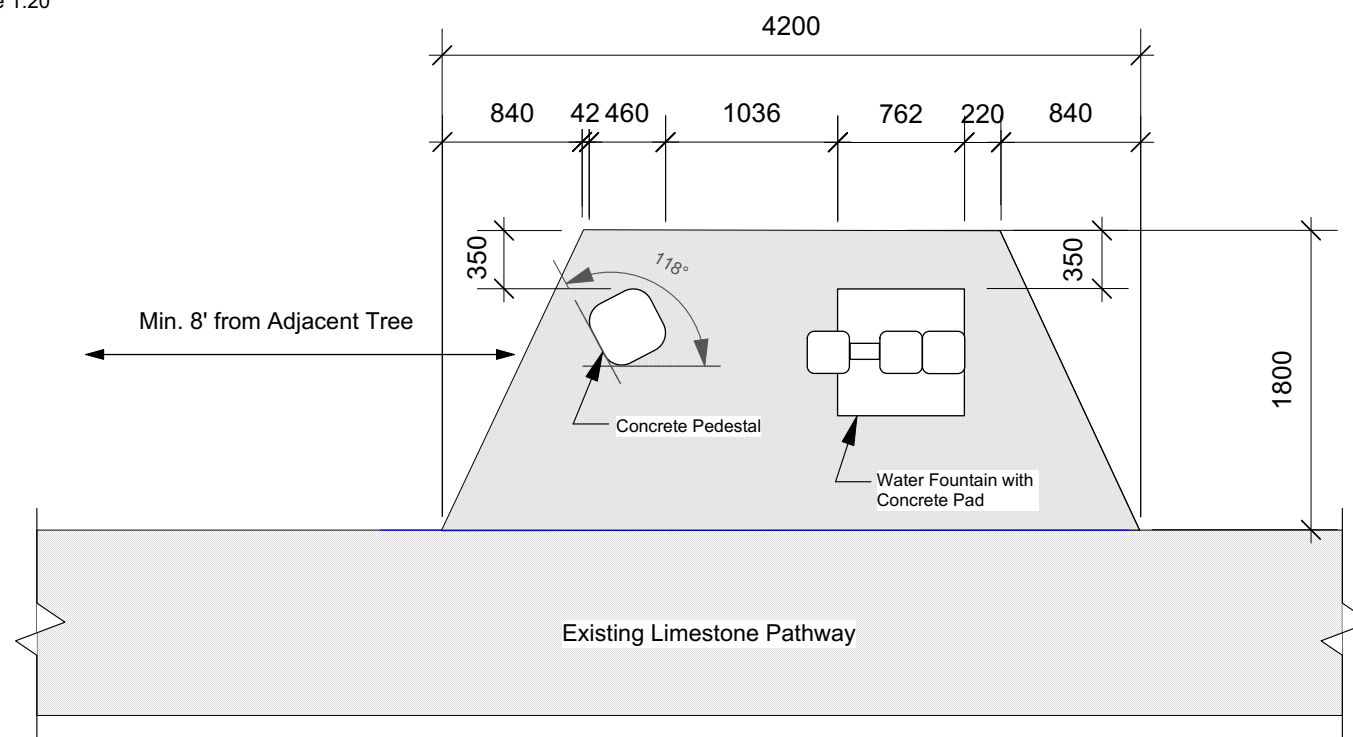
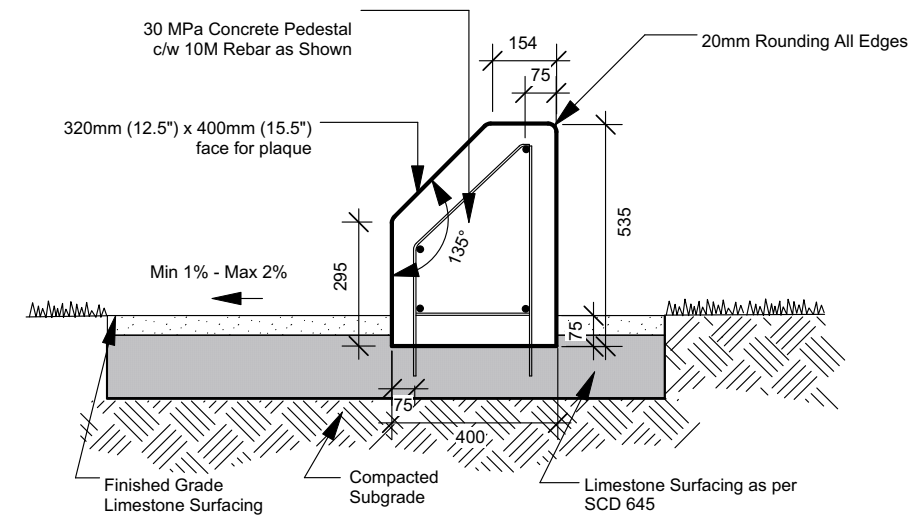


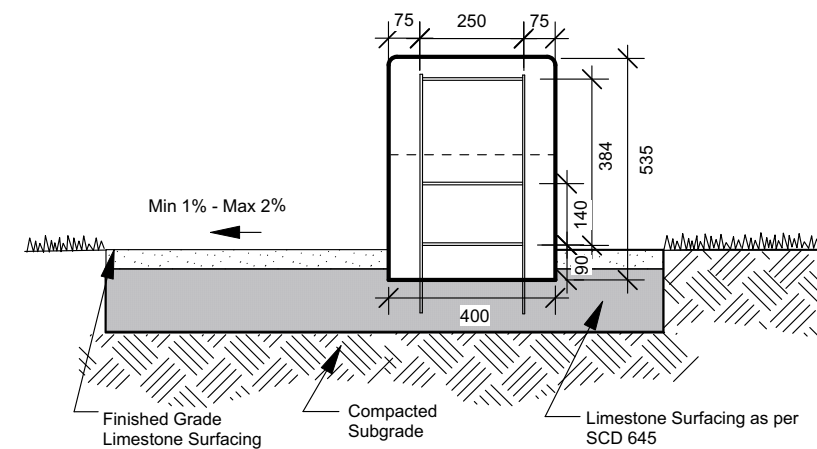
1 Fountain Concrete Footing Detail
W.60-E scale 1:20



3 Guelph Fountain Node Detail
W.60-E scale 1:50



CROSS SECTION - Side View



CROSS SECTION - Front View

2 Concrete Pedestal Detail
W.60-E scale 1:20



THE CITY OF WINNIPEG
Planning, Property and Development Dept.
Planning and Land Use Division
15-30 Fort Street, Winnipeg, MB, (R3C 4X5)

DESIGNED BY	CH	CHECKED BY	APPROVED BY
DRAWN BY	CH	RELEASED FOR CONSTRUCTION	
HORIZ. SCALE	as shown		
VERT. SCALE	as shown		
DATE	May/18	MANAGER, PLANNING AND LAND USE DIVISION	DATE

DRAWING TITLE
WELLINGTON CRESC. WATER FOUNTAINS
Details

CAD DRAWING NO.

DRAWING NO.

W.60-E