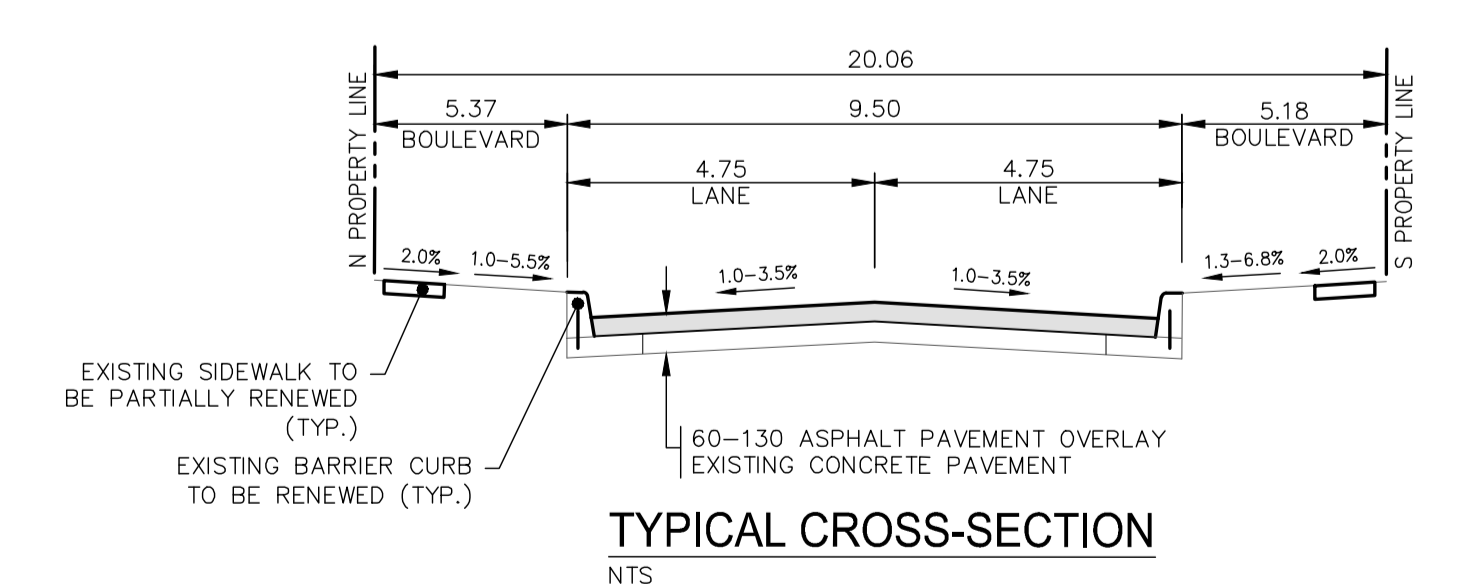


MATCHLINE AT STA. 2+40  
SEE DWG C-11

EXISTING	LEGEND-PLAN	PROPOSED	EXISTING	LEGEND-PLAN	PROPOSED	EXISTING	LEGEND-PROFILE	PROPOSED
---	WATER MAIN	---	---	IRON BAR	---	---	---	---
---	LAND DRAINAGE SEWER	---	---	HYDRO POLE & LIGHT STANDARD	---	---	---	---
---	WASTE WATER SEWER	---	---	LIGHT STANDARD OR TRAFFIC SIGNAL	---	---	---	---
---	HYDRO	---	---	HYDRO POLE	---	---	---	---
---	M.T.S.	---	---	CURB RAMP	---	---	---	---
---	GAS	---	---	DETECTABLE WARNING SURFACE TILE	---	---	---	---
---	SIGNALS	---	---	EDGE OF SIDEWALK	---	---	---	---
○	MANHOLE	●	---	FENCE	---	---	---	---
□	CATCH BASIN	■	---	PROPERTY LINE	---	---	---	---
△	CURB INLET	▽	---	EDGE OF ASPHALT	---	---	---	---
△ □ ○	UTILITIES ADJUSTED	△ □ ○	---	EDGE OF CONCRETE	---	---	---	---
┘	PLUG	┘	---	MODIFIED BARRIER CURB	---	---	---	---
◇	HYDRANT	◆	---	BARRIER CURB	---	---	---	---
⊗	VALVE	⊗	---	CONC SIDEWALK	---	---	---	---
⌂	CURB STOP	⌂	---	CONCRETE SLAB	---	---	---	---
230.99	GROUND GRADE	---	---	ASPHALT	---	---	---	---
(31.00)	PAVEMENT GRADE	(31.00)	---	MILLED SURFACE	---	---	---	---
→	ANCHOR	→	---	ASPHALT JOINT REPAIR	---	---	---	---
#111	CIVIC ADDRESS	---	---	GLASS GRID	---	---	---	---
---	LEGEND-PLAN	---	---	LEGEND-PLAN	---	---	---	---



- NOTES:
- ALL WORK AND MATERIALS TO BE IN ACCORDANCE WITH THE LATEST REVISION OF THE CITY OF WINNIPEG STANDARD CONSTRUCTION SPECIFICATIONS.
  - CONTRACTOR TO CONFIRM THE LOCATION OF ALL UTILITIES/SERVICES IN THE FIELD PRIOR TO CONSTRUCTION.
  - ALL ROADWAY DIMENSIONS SHOWN ARE TO BACK OF CURB.
  - ADD 200.00 TO ABBREVIATED ELEVATIONS TO OBTAIN GEODETIC ELEVATION.
  - EXISTING ASPHALT TO BE PLANED AS IDENTIFIED BY CONTRACT ADMINISTRATOR.
  - RENEW CURB AND SIDEWALK AS IDENTIFIED BY CONTRACT ADMINISTRATOR.
  - ALL PRIVATE WALKWAYS TO BE ADJUSTED TO NEW SIDEWALK OR TOP OF CURB ELEVATION, AS REQUIRED.
  - MODIFIED BARRIER CURB TO BE CONSTRUCTED AT ALL INTERSECTION RADII AND BACK LANE RADII.
  - ADJUST MH FRAMES, CB RIMS, AND VALVES TO NEW GRADES, AS REQUIRED.
  - INSTALL 40mm LIP CURB THROUGH RESIDENTIAL APPROACHES AS IDENTIFIED BY CONTRACT ADMINISTRATOR.
  - CONTRACTORS TO TAKE PRECAUTIONARY STEPS TO PROTECT EXISTING TREES WITHIN THE LIMITS OF CONSTRUCTION FROM DAMAGE FROM CONSTRUCTION ACTIVITIES AS OUTLINED IN THE SPECIFICATIONS.
  - LAMP STANDARDS, HYDRO POLES, AND ANCHORS THAT REQUIRE TEMPORARY SUPPORT, REMOVAL OR REPLACEMENT, TO BE DONE SO AT THE EXPENSE OF THE CONTRACTOR AS NECESSARY.
  - ALL BOULEVARDS TO BE SODDED UNLESS OTHERWISE NOTED.
  - CONTRACTOR TO CONFIRM LOCATION AND LIMITS OF SEWER REPAIRS BY PERFORMING VIDEO INSPECTION AND REVIEWING WITH CONTRACT ADMINISTRATOR PRIOR TO CONSTRUCTION (IF REQ'D).
  - ADJUST ALL WATER VALVES, HYDRANTS, MANHOLES, AND CATCH BASINS IN WORK AREA TO GRADE.
  - INSTALL GLASS GRID AS IDENTIFIED BY CONTRACT ADMINISTRATOR.

PRELIMINARY  
NOT FOR CONSTRUCTION

**METRIC**  
WHOLE NUMBERS INDICATE MILLIMETRES  
DECIMALIZED NUMBERS INDICATE METRES

**ENGINEERS  
GEOSCIENTISTS  
MANITOBA**  
Certificate of Authorization  
**WSP Canada Group Limited**  
No. 6657

LOCATIONS APPROVED UNDERGROUND STRUCTURES

SIGNED BY: \_\_\_\_\_ DATE: \_\_\_\_\_

SUPV U/G STRUCTURES

LOCATION OF UNDERGROUND STRUCTURES AS SHOWN ARE BASED ON THE BEST INFORMATION AVAILABLE BUT NO GUARANTEE IS GIVEN THAT ALL EXISTING UTILITIES ARE SHOWN OR THAT THE GIVEN LOCATIONS ARE EXACT CONFIRMATION OF EXISTENCE AND EXACT LOCATION OF ALL SERVICES MUST BE OBTAINED FROM THE INDIVIDUAL UTILITIES BEFORE PROCEEDING

NO.	REVISIONS	DATE	BY
H			
G			
F			
E			
D			
C	ISSUED FOR TENDER	2018-03-20	SM
B	ISSUED FOR UNDERGROUND STRUCTURES REVIEW	2018-03-09	SM
A	ISSUED FOR CLIENT REVIEW	2018-02-21	SM
NO.	REVISIONS	DATE	BY

**wsp**

WSP Canada Inc  
Suite 111 - 93 Lombard Ave  
Winnipeg, MB R3B 3B1  
t. 204.943.3178  
f. 204.943.4948  
www.wsp.com

DESIGNED BY: MCW  
CHECKED BY: VM/SM

DRAWN BY: HK  
APPROVED BY: SM

HOR. SCALE: 1:250  
VERTICAL: 1:10

RELEASED FOR CONSTRUCTION

DATE: 2017-11-20

ENGINEER'S SEAL

**M.C.Y. WONG**  
Member 32500  
REGISTERED PROFESSIONAL ENGINEER

CONSULTANT ACAD DWG. NO.  
17M-02216-00-C-10

**THE CITY OF WINNIPEG**  
PUBLIC WORKS DEPARTMENT  
ENGINEERING SERVICES DIVISION

**Winnipeg**

2018 LOCAL STREET RENEWAL PROGRAM

EDISON AVENUE  
DE GRAFF PLACE TO RALEIGH STREET  
PAVEMENT REHABILITATION  
STA. 0+94.91 TO STA. 2+40

CITY DRAWING NUMBER: ---  
SHEET 10 OF 22  
BID NO. 33-2018