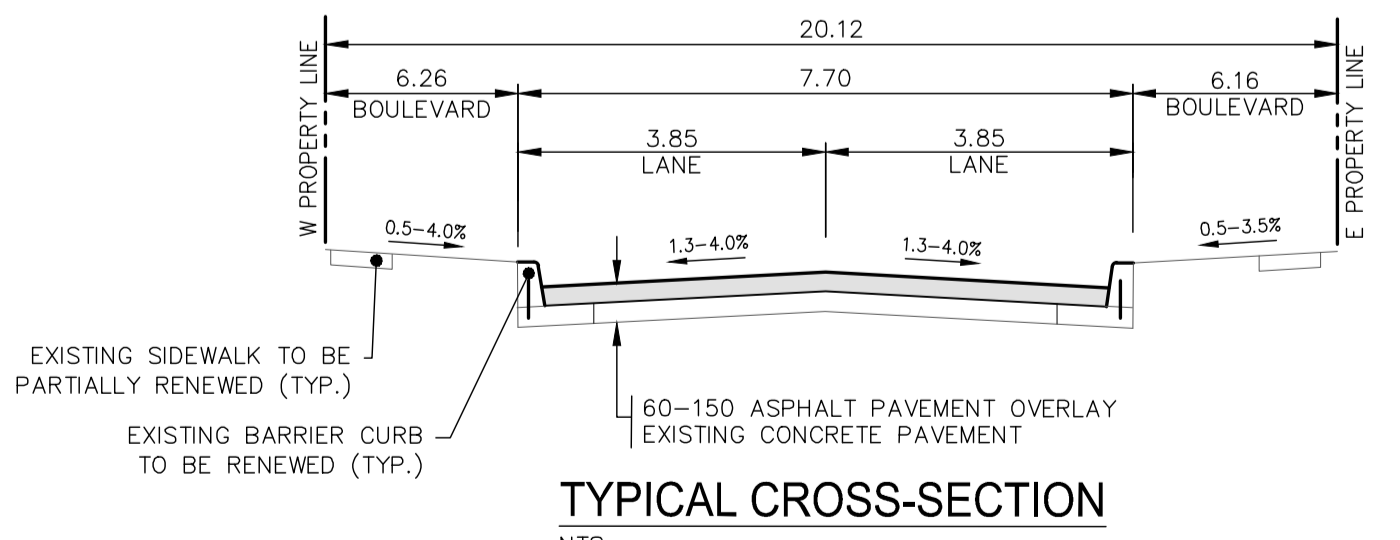


| EXISTING | LEGEND-PLAN | PROPOSED | EXISTING | LEGEND-PLAN | PROPOSED | EXISTING | LEGEND-PROFILE | PROPOSED |
|----------|----------------------|----------|----------|----------------------------------|----------|----------|----------------|----------|
| --- | WATER MAIN | --- | --- | HYDRO POLE & LIGHT STANDARD | --- | --- | --- | --- |
| --- | LAND DRAINAGE SEWER | --- | --- | LIGHT STANDARD OR TRAFFIC SIGNAL | --- | --- | --- | --- |
| --- | WASTE WATER SEWER | --- | --- | HYDRO POLE | --- | --- | --- | --- |
| --- | HYDRO | --- | --- | CURB RAMP | --- | --- | --- | --- |
| --- | M.T.S. | --- | --- | CURB CUT | --- | --- | --- | --- |
| --- | GAS | --- | --- | DETECTABLE WARNING SURFACE TILE | --- | --- | --- | --- |
| --- | SIGNALS | --- | --- | EDGE OF SIDEWALK | --- | --- | --- | --- |
| ○ | MANHOLE | ● | --- | FENCE | --- | --- | --- | --- |
| □ | CATCH BASIN | ■ | --- | PROPERTY LINE | --- | --- | --- | --- |
| △ | CURB INLET | ▼ | --- | EDGE OF ASPHALT | --- | --- | --- | --- |
| ∩ | UTILITIES ADJUSTED | △ □ ○ | --- | EDGE OF CONCRETE | --- | --- | --- | --- |
| ∩ | PLUG | ∩ | --- | MODIFIED BARRIER CURB | --- | --- | --- | --- |
| ⊕ | HYDRANT | ⊕ | --- | BARRIER CURB | --- | --- | --- | --- |
| ⊗ | VALVE | ⊗ | --- | CONC SIDEWALK | --- | --- | --- | --- |
| ⊕ | CURB STOP | ⊕ | --- | CONCRETE SLAB | --- | --- | --- | --- |
| 230.99 | GROUND GRADE | --- | --- | ASPHALT | --- | --- | --- | --- |
| (31.00) | PAVEMENT GRADE | (31.00) | --- | MILLED SURFACE | --- | --- | --- | --- |
| → | ANCHOR | → | --- | ROADWAY CENTRELINE | --- | --- | --- | --- |
| #111 | CIVIC ADDRESS | --- | --- | NORTH OR WEST GUTTER | --- | --- | --- | --- |
| ⊕ | IRON BAR | ⊕ | --- | SOUTH OR EAST GUTTER | --- | --- | --- | --- |
| --- | EXISTING LEGEND-PLAN | --- | --- | --- | --- | --- | --- | --- |



| LOCATIONS APPROVED UNDERGROUND STRUCTURES | | BENCHMARK LOCATION | |
|---|-----------|--------------------|---------|
| SIGNED BY: | DATE: | G.B.M. - | ELEV. - |
| --- | --- | 231.248 | 231.248 |
| LOCATION OF UNDERGROUND STRUCTURES AS SHOWN ARE BASED ON THE BEST INFORMATION AVAILABLE BUT NO GUARANTEE IS GIVEN THAT ALL EXISTING UTILITIES ARE SHOWN OR THAT THE GIVEN LOCATIONS ARE EXACT CONFIRMATION OF EXISTENCE AND EXACT LOCATION OF ALL SERVICES MUST BE OBTAINED FROM THE INDIVIDUAL UTILITIES BEFORE PROCEEDING | | | |
| NO. | REVISIONS | DATE | BY |
| --- | --- | --- | --- |

- NOTES:
- ALL WORK AND MATERIALS TO BE IN ACCORDANCE WITH THE LATEST REVISION OF THE CITY OF WINNIPEG STANDARD CONSTRUCTION SPECIFICATIONS.
 - CONTRACTOR TO CONFIRM THE LOCATION OF ALL UTILITIES/SERVICES IN THE FIELD PRIOR TO CONSTRUCTION.
 - ALL ROADWAY DIMENSIONS SHOWN ARE TO BACK OF CURB.
 - ADD 200.00 TO ABBREVIATED ELEVATIONS TO OBTAIN GEODETIC ELEVATION.
 - RENEW CURB AND SIDEWALK AS IDENTIFIED BY CONTRACT ADMINISTRATOR.
 - ALL PRIVATE WALKWAYS TO BE ADJUSTED TO NEW SIDEWALK OR TOP OF CURB ELEVATION, AS REQUIRED.
 - MODIFIED BARRIER CURB TO BE CONSTRUCTED AT ALL INTERSECTION RADII AND BACK LANE RADII.
 - ADJUST MH FRAMES, CB RIMS, AND VALVES TO NEW GRADES, AS REQUIRED.
 - INSTALL 40mm LIP CURB THROUGH RESIDENTIAL APPROACHES AS IDENTIFIED BY CONTRACT ADMINISTRATOR.
 - CONTRACTORS TO TAKE PRECAUTIONARY STEPS TO PROTECT EXISTING TREES WITHIN THE LIMITS OF CONSTRUCTION FROM DAMAGE FROM CONSTRUCTION ACTIVITIES AS OUTLINED IN THE SPECIFICATIONS.
 - LAMP STANDARDS, HYDRO POLES, AND ANCHORS THAT REQUIRE TEMPORARY SUPPORT, REMOVAL OR REPLACEMENT, TO BE DONE SO AT THE EXPENSE OF THE CONTRACTOR AS NECESSARY.
 - CONTRACTOR TO CONFIRM LOCATION AND LIMITS OF SEWER REPAIRS BY PERFORMING VIDEO INSPECTION AND REVIEWING WITH CONTRACT ADMINISTRATOR PRIOR TO CONSTRUCTION (IF REQ'D).
 - ADJUST ALL WATER VALVES, HYDRANTS, MANHOLES, AND CATCH BASINS IN WORK AREA TO GRADE.
 - INSTALL GLASS GRID AS IDENTIFIED BY CONTRACT ADMINISTRATOR.

wsp

WSP Canada Inc
Suite 111 - 93 Lombard Ave
Winnipeg, MB R3B 3B1
t. 204.943.3178
f. 204.943.4948
www.wsp.com

DESIGNED BY: KG
CHECKED BY: VM/SM
DRAWN BY: HK
APPROVED BY: SM

HOR. SCALE: 1:250
VERTICAL: 1:10

2017-11-20

NOT FOR CONSTRUCTION

CONSULTANT ACAD DWG. NO. 17M-02216-00-C-12

Winnipeg

THE CITY OF WINNIPEG
PUBLIC WORKS DEPARTMENT
ENGINEERING SERVICES DIVISION

2018 LOCAL STREET RENEWAL PROGRAM

AIKINS STREET
TEMPLETON AVENUE TO NORTH END
PAVEMENT REHABILITATION
STA. 0+94.35 TO STA. 2+30

CITY DRAWING NUMBER: 12 OF 22
BID NO. 33-2018

PRELIMINARY
NOT FOR CONSTRUCTION

METRIC

WHOLE NUMBERS INDICATE MILLIMETRES
DECIMALIZED NUMBERS INDICATE METRES

ENGINEERS GEOSCIENTISTS MANITOBA
Certificate of Authorization
WSP Canada Group Limited
No. 6657