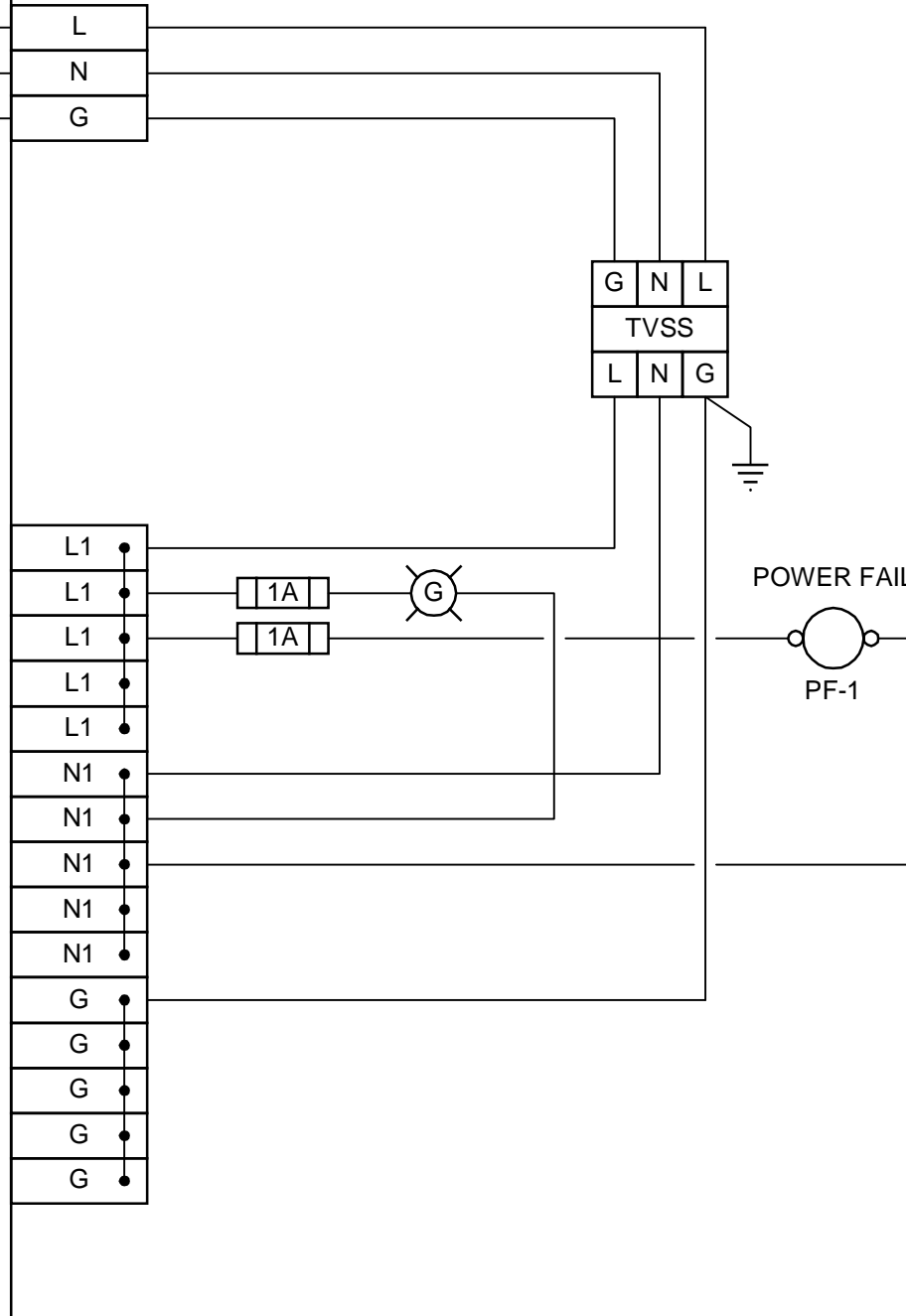


FIELD

CONTROL PANEL

SCADAPACK 357E 5606 I/O BOARD 350 CPU


15A
120 VAC
PNL-010-04



File\\name.c:\project\working directory\active\40sk\40631074175009-21-mccarthy-loops.dwg

0	ISSUED FOR BID OP 330-2018	18/04/19	B.L.M.
NO.	REVISION	DATE	BY


DILLON CONSULTING
 DATE: 17/07/06 PROJECT No. 175009


THE CITY OF WINNIPEG
 WATER AND WASTE DEPARTMENT
 ENGINEERING DIVISION

DESIGNED BY	CHECKED BY
B.L.M.	B.L.M.
DRAWN BY	APPROVED BY
S.C.K.	

REHABILITATION OF PUBLIC WATER SERVICE
 OUTLETS: BILLING SYSTEM, BUILDING SUPPLY,
 DEMOLITION AND ELECTRICAL
**McCARTHY STREET 120 VAC POWER
 LOOP DIAGRAM**

SHEET 11 OF 18
CITY DRAWING NUMBER
D-14931