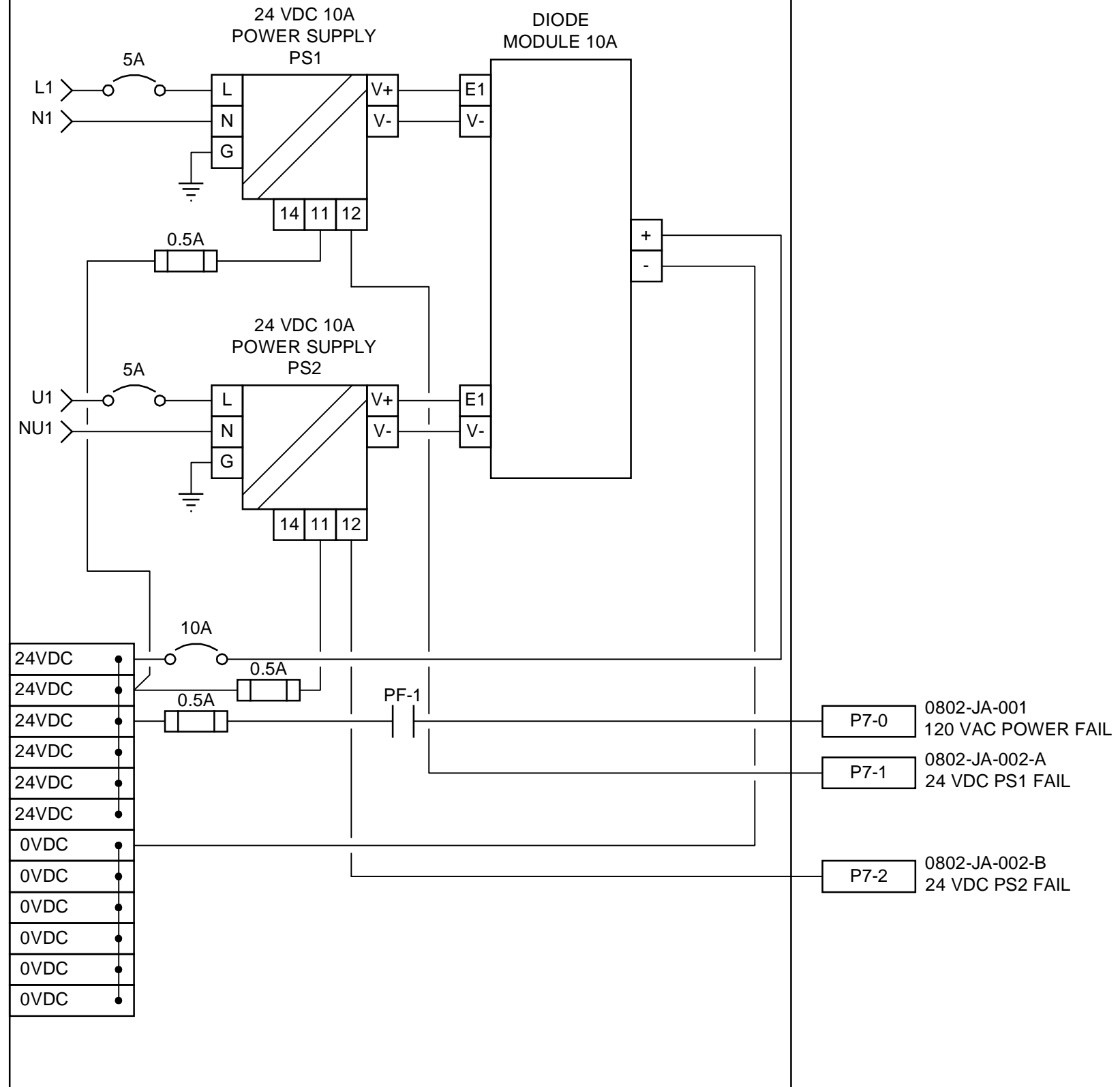


FIELD

CONTROL PANEL

SCADAPACK 357E 5606 I/O BOARD 350 CPU



File Name: c:\project\working directory\active\40sk\40631074175009-21-mccarthy-loops.dwg

0	ISSUED FOR BID OP 330-2018	18/04/19	B.L.M.
NO.	REVISION	DATE	BY



DILLON CONSULTING



Winnipeg

DATE: 17/07/06 PROJECT No. 175009

THE CITY OF WINNIPEG
 WATER AND WASTE DEPARTMENT
 ENGINEERING DIVISION

DESIGNED BY	B.L.M.	CHECKED BY	B.L.M.
DRAWN BY	S.C.K.	APPROVED BY	

REHABILITATION OF PUBLIC WATER SERVICE
 OUTLETS: BILLING SYSTEM, BUILDING SUPPLY,
 DEMOLITION AND ELECTRICAL
McCARTHY STREET
24 VDC POWER LOOP DIAGRAM

SHEET 13 OF 18
CITY DRAWING NUMBER
D-14933