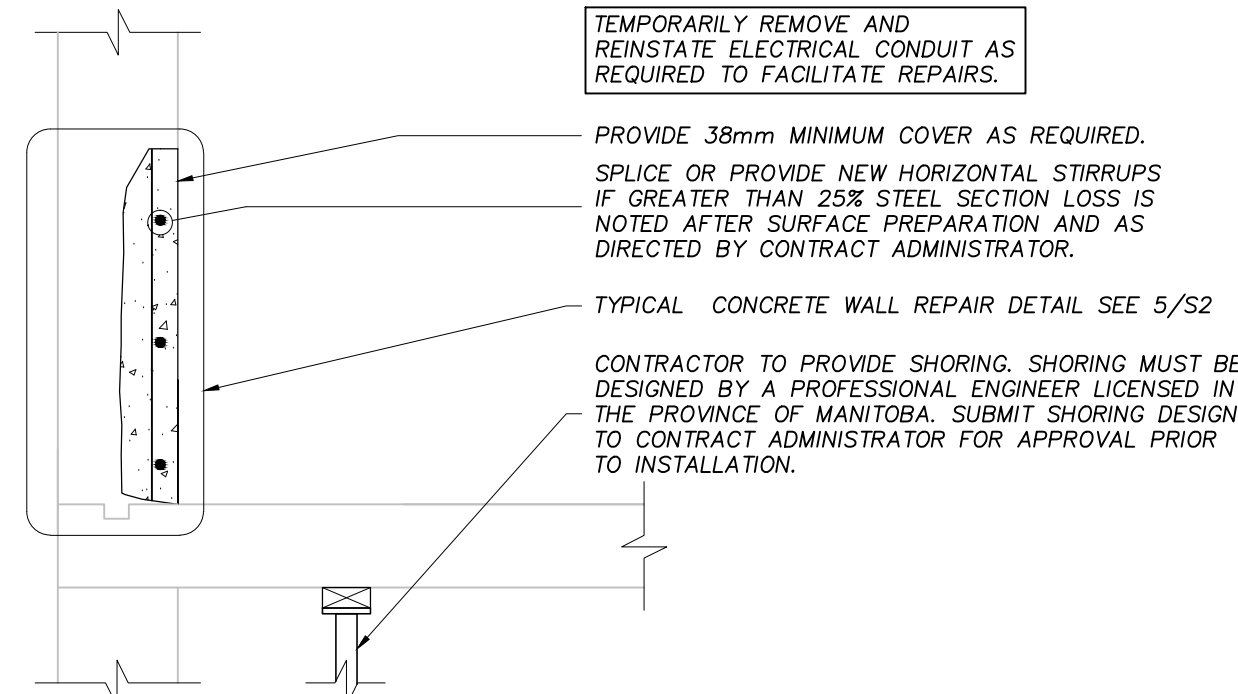


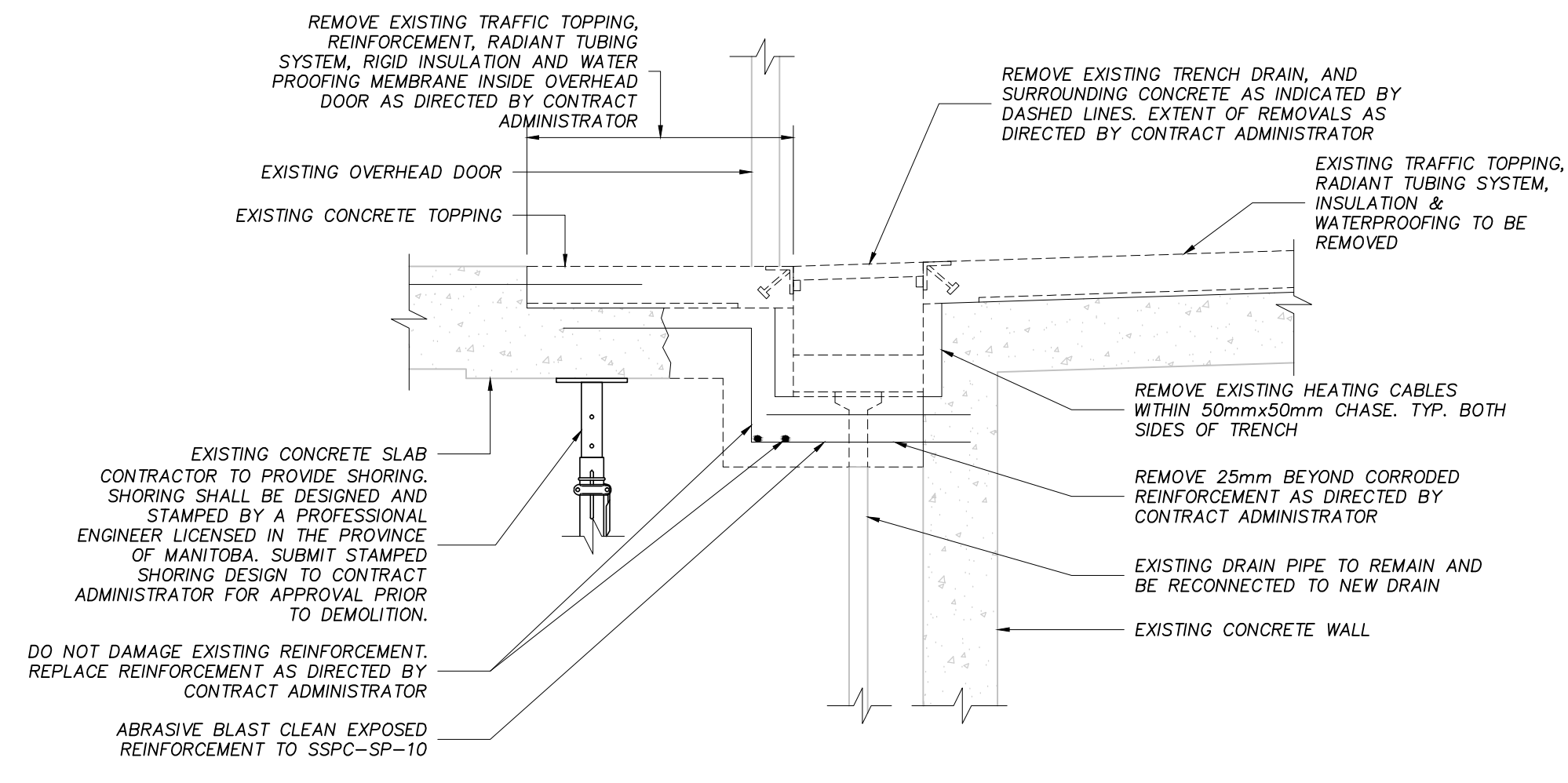
1 TYP. RAMP DEMOLITION/REMOVALS SECTION
S2 SCALE: 1:16

NOTE:
ALLOW FOR CONTRACT ADMINISTRATOR INSPECTION OF RAMP SLABS UPON COMPLETION OF REMOVAL & DEMOLITION WORK.
----- INDICATES EXTENT OF REMOVALS



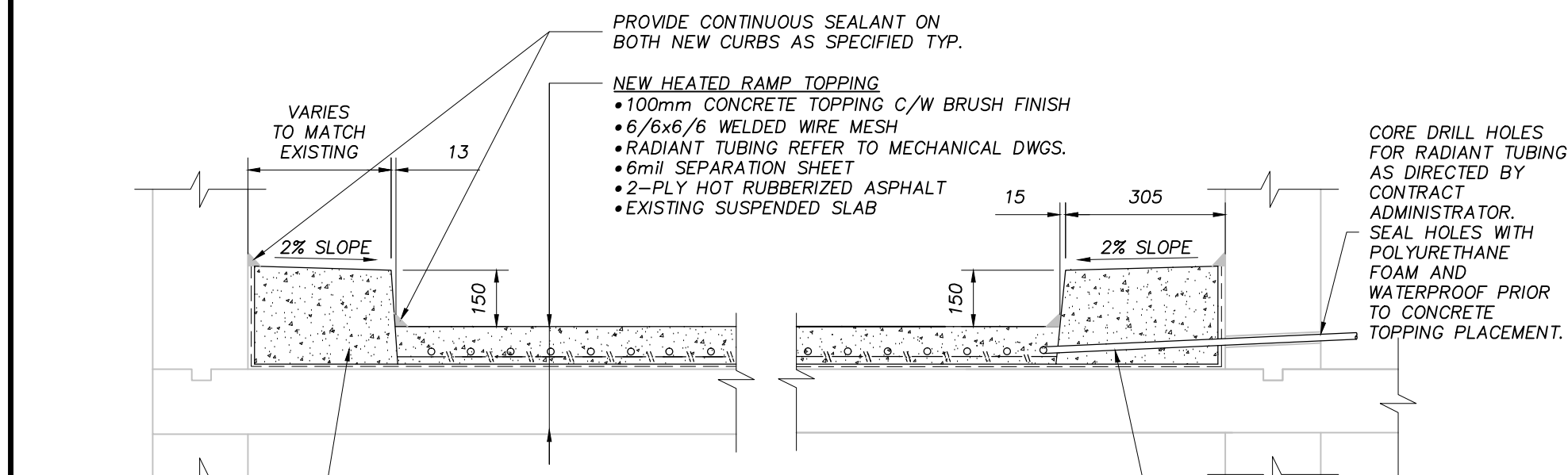
4 CONCRETE BASE REPAIR DETAIL
S2 SCALE: 1:16

NOTE:
CONCRETE CURB AND HEATED RAMP TOPPING NOT SHOWN FOR CLARITY. LOCATIONS AS DIRECTED BY CONTRACT DOCUMENTS AND/OR CONTRACT ADMINISTRATOR.

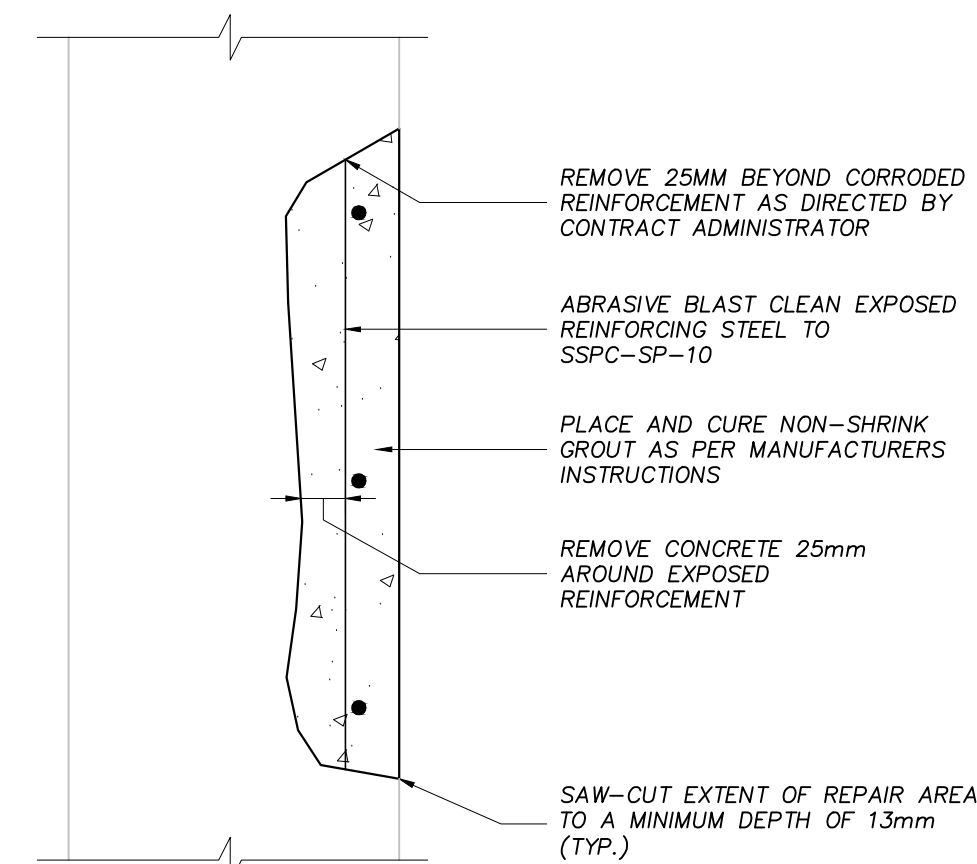


6 EXISTING TRENCH DRAIN DEMOLITION SECTION
S2 SCALE: 1:16

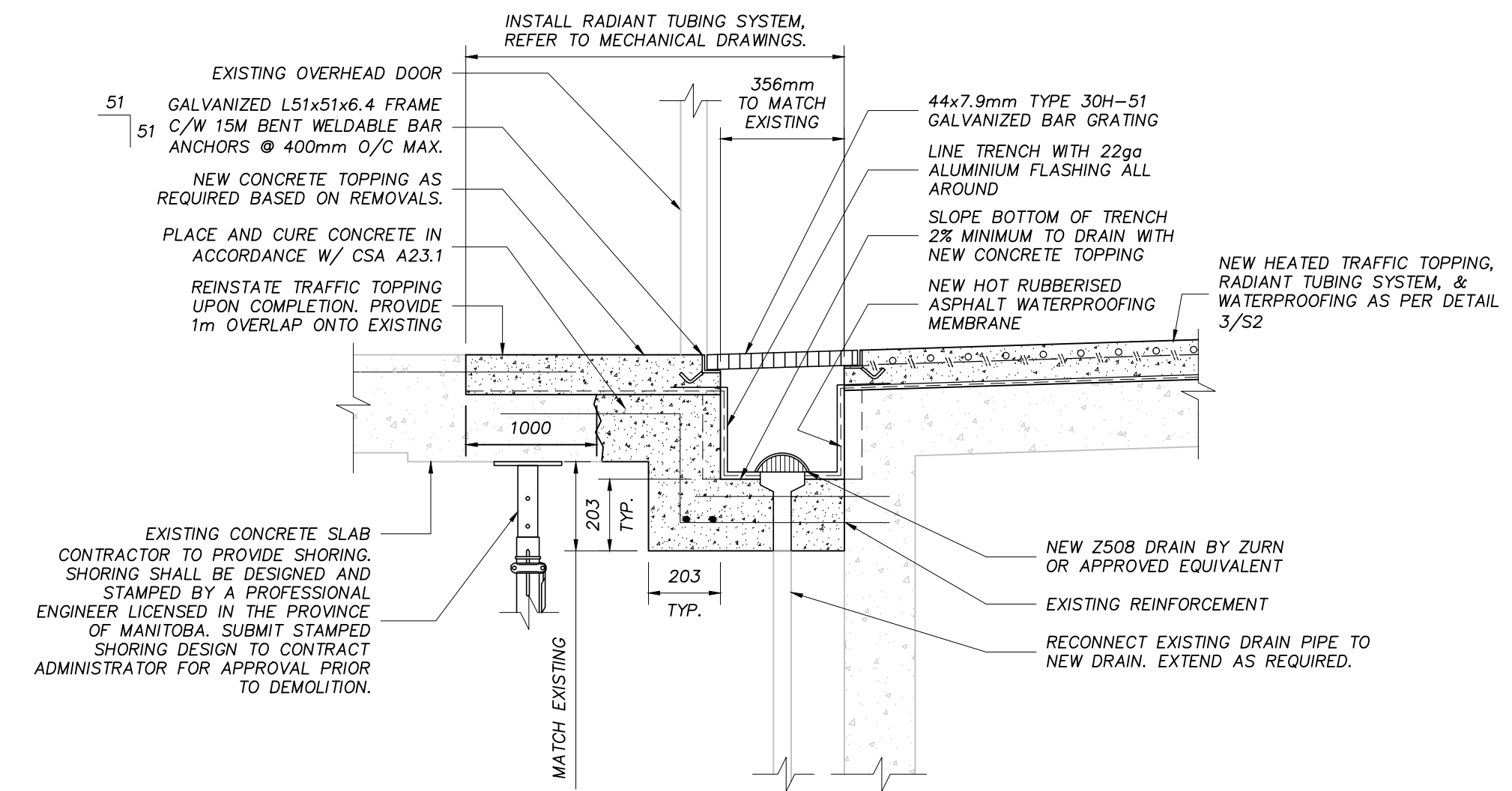
NOTE:
ALLOW FOR CONTRACT ADMINISTRATOR INSPECTION OF TRENCH DRAIN REINFORCEMENT UPON COMPLETION OF REMOVAL & DEMOLITION WORK.
----- INDICATES EXTENT OF REMOVALS



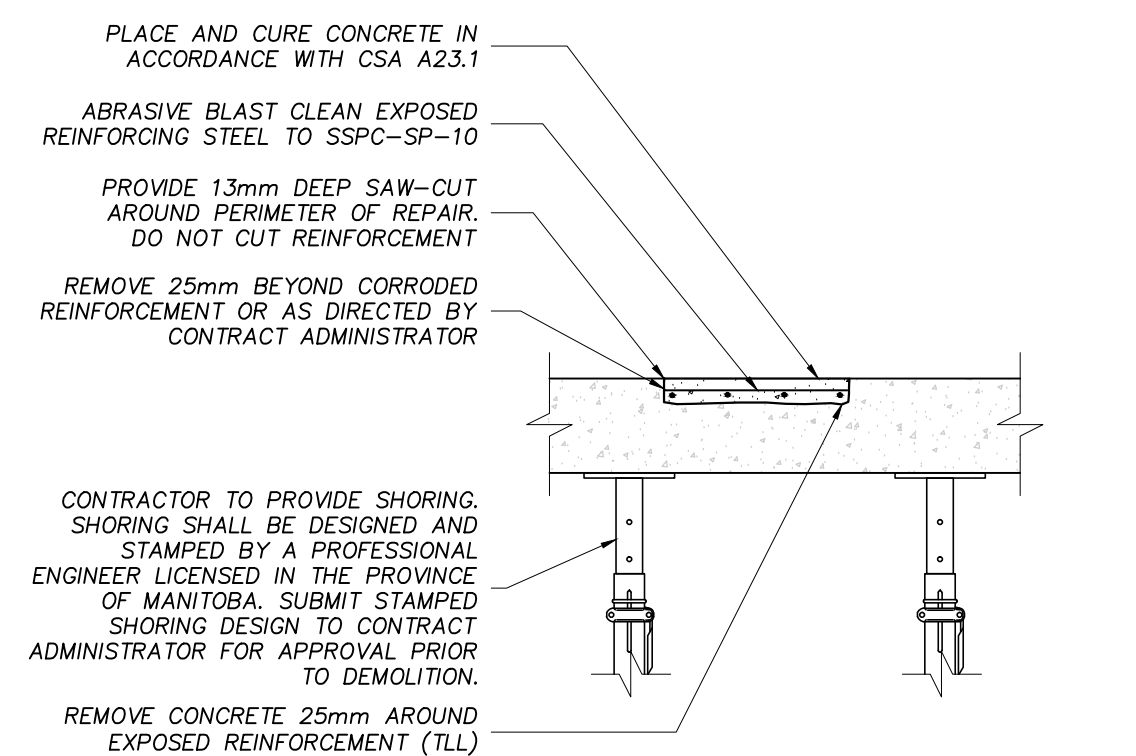
2 TYP. NEW SNOW MELTING SYSTEM
S2 SCALE: 1:16



5 TYPICAL CONCRETE WALL REPAIR DETAIL
S2 SCALE: 1:5



7 TRENCH DRAIN REPAIR SECTION
S2 SCALE: 1:16



3 TYPICAL TOP SURFACE REPAIR DETAIL
S2 SCALE: 1:16

NOTE:
LOCATIONS AS DIRECTED BY CONTRACT DOCUMENTS AND/OR CONTRACT ADMINISTRATOR.

NO.	REVISION	DATE
1	ISSUED FOR CLIENT REVIEW	OCT. 27, 2017
2	ISSUED FOR TENDER	APR. 6, 2018
3		
4		
5		
6		
7		

NOTES:
CONTRACTOR SHALL CHECK AND VERIFY ALL DIMENSIONS AND BE RESPONSIBLE FOR REPORTING ALL DISCREPANCIES TO THE CITY AND/OR CONTRACT ADMINISTRATOR PRIOR TO BID CLOSING.
LATEST APPROVED DRAWINGS ONLY TO BE USED FOR CONSTRUCTION.
PRINTS ARE NOT TO BE SCALED.
ALL DIMENSIONS INDICATED ARE IN MILLIMETRES (mm) UNLESS OTHERWISE NOTED.



CONCENTRIC
CLIENT-CENTRIC. CHALLENGE DRIVEN.

LONDON Toll Free 1-866-919-4531
OTTAWA Toll Free 1-866-919-4530
IQALUIT Toll Free 1-866-919-4531
SASKATOON Toll Free 1-866-919-8899
WINNIPEG Toll Free 1-866-919-4531
TORONTO Tel. 1-647-351-0095
COQUITLAM Toll Free 1-866-919-4531

CLIENT NAME:
CITY OF WINNIPEG

PROJECT ADDRESS:
251 DONALD STREET WINNIPEG, MB

PROJECT NAME:
GARAGE ENTRANCE AND EXIT RAMP REHABILITATION

DRAWING TITLE:
RAMP 5 & 6 PLAN AND DETAILS

DESIGN: EGB SCALE: AS SHOWN
DRAWN: AJG/JAVA DATE: AUG / 2017
APPVD: PSM FILE No: 17-7259

SHEET No.
S2