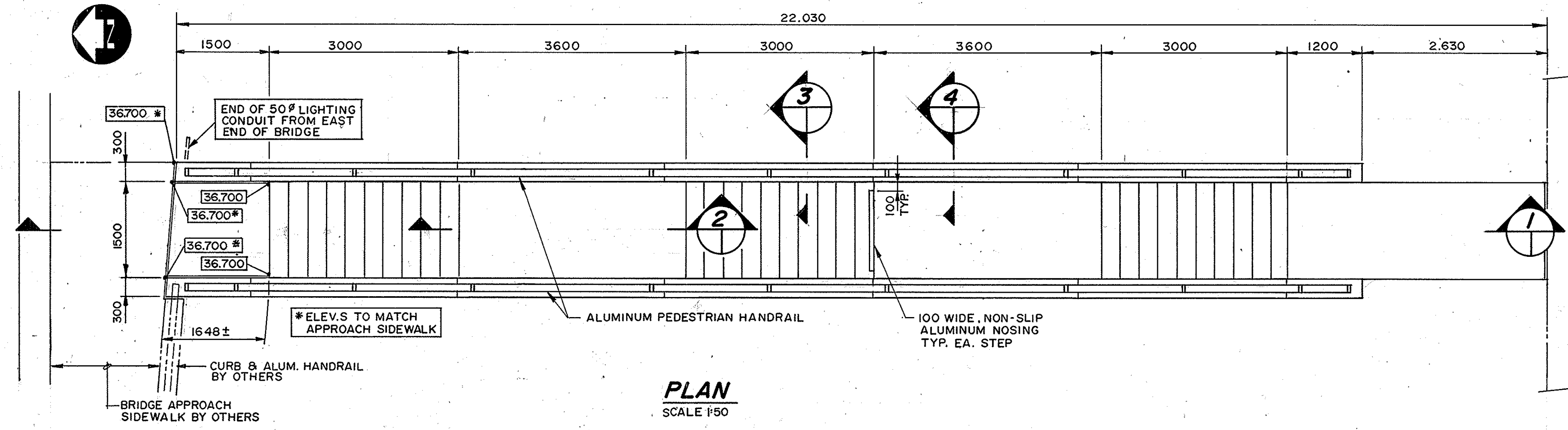
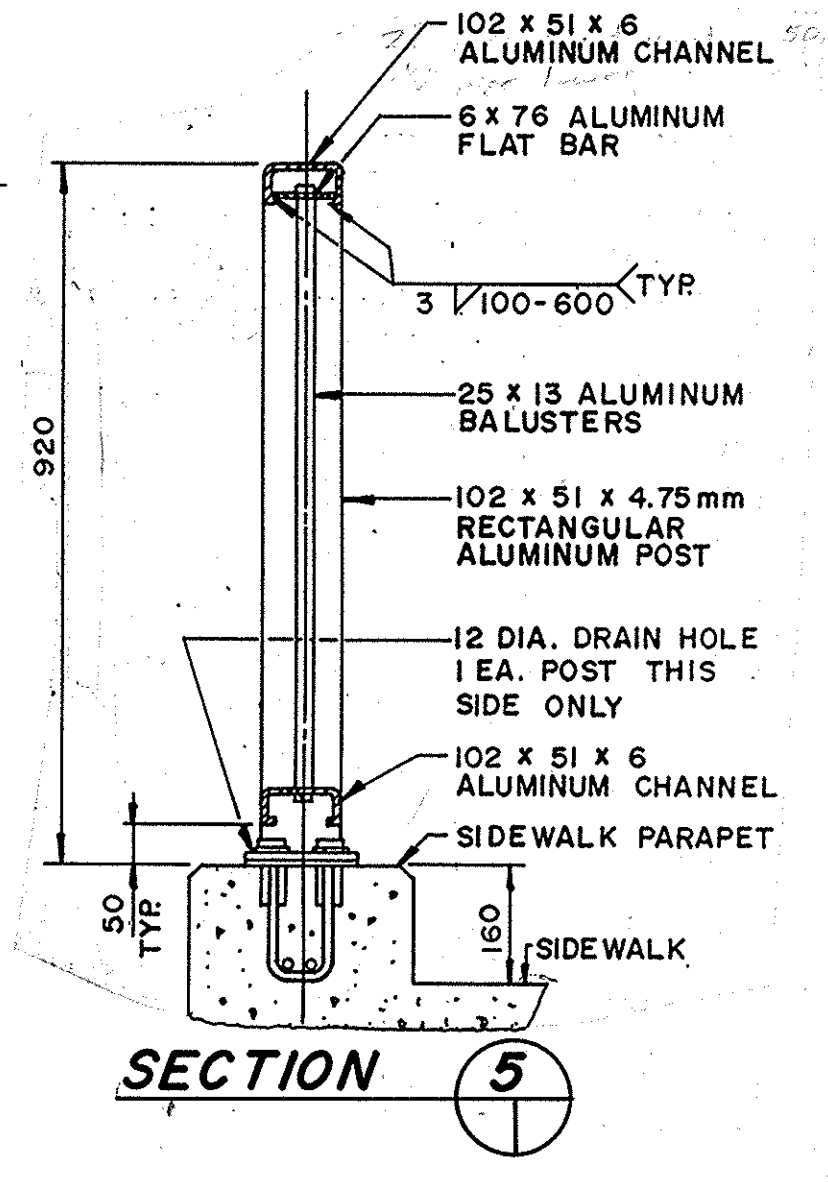


APPENDIX 'J'

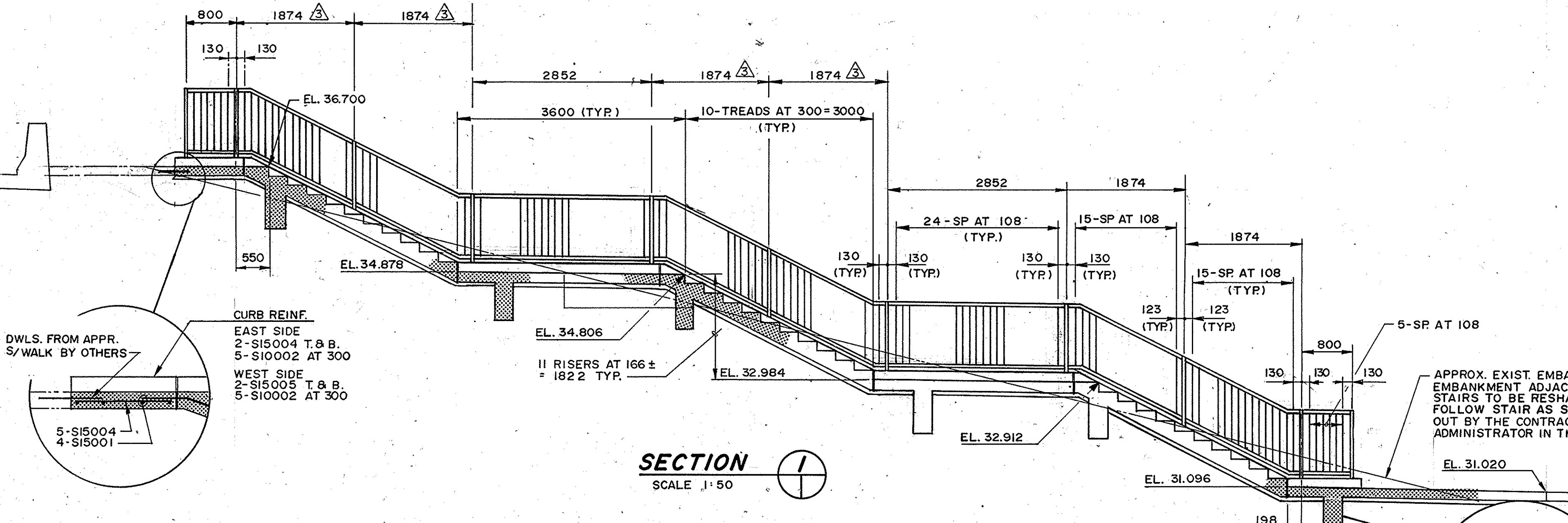
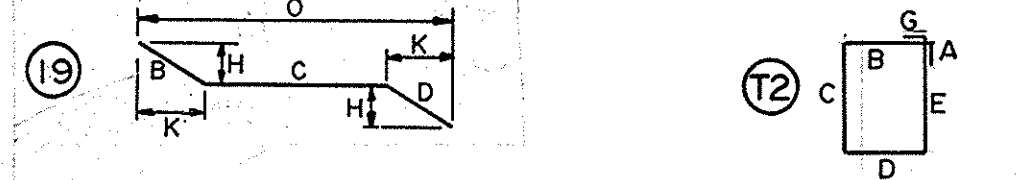
CONCRETE STAIRS AS-BUILT



PLAN
SCALE 1:50

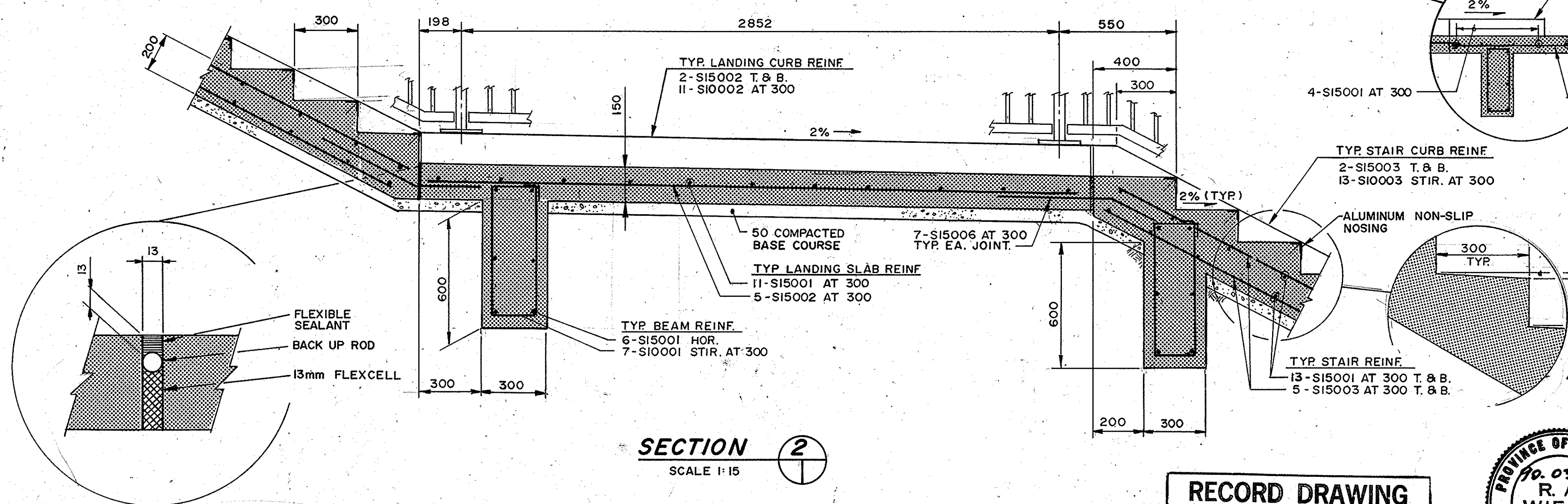


SECTION 5

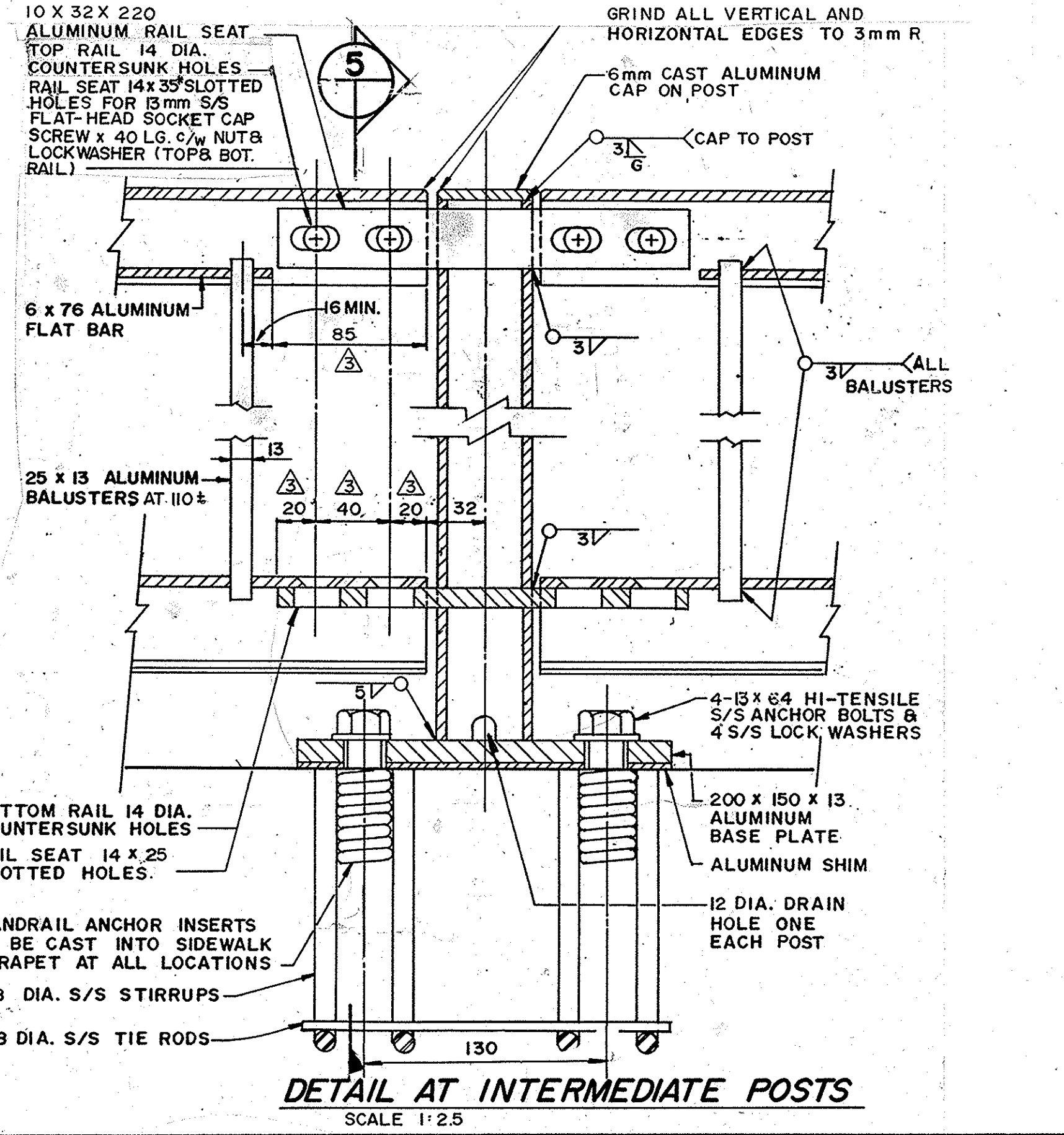


SECTION 1
SCALE 1:50

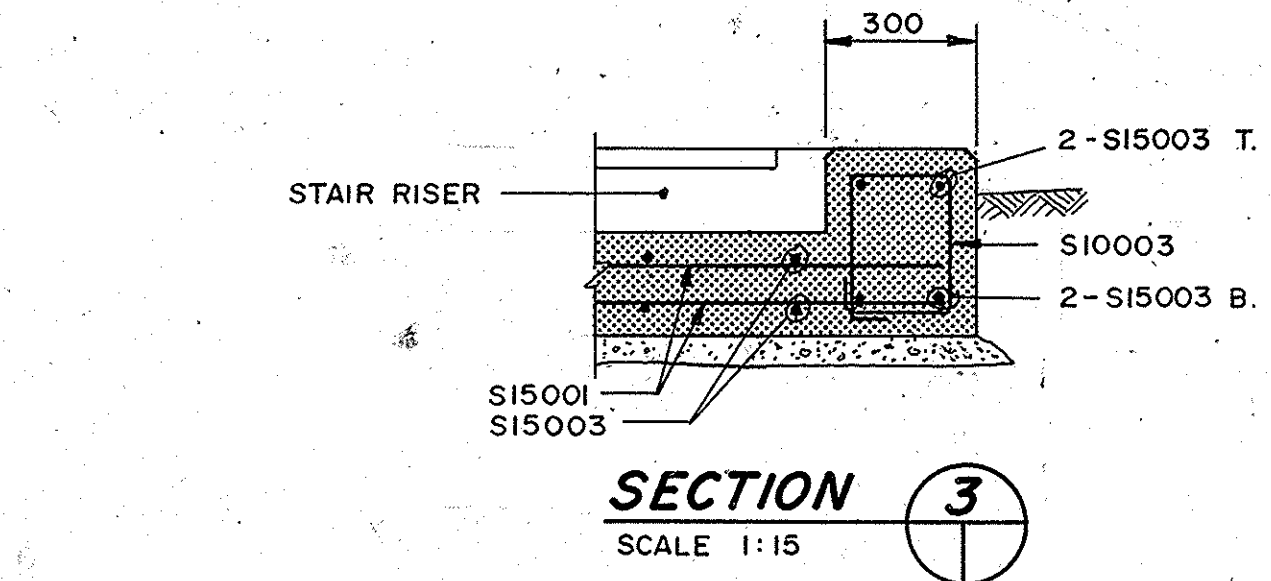
MARK	NO. BARS	SIZE	LENGTH	TYPE	A	B	C	D	E	F	G	H	I	J	K	R	SHAPE	MASS
S10001	42	10	1850	T2	100	200	625	200	625	100								61.0
S10002	62	10	1000	T2	100	200	200	200	200	100								48.7
S10003	78	10	1060	T2	100	200	230	200	230	100								64.9
S15001	144	15	2000	ST														452.2
S15002	26	15	3100	ST														126.5
S15003	54	15	3650	ST														309.4
S15004	9	15	1000	ST														14.1
S15005	4	15	1150	ST														7.2
S15006	42	15	900	T9		300	600				145				262		59.3	
S15007	8	15	1100	ST														13.8
S15008	10	15	1400	ST														21.9
S15009	6	15	3880	ST														36.5
TOTAL																		1215.5 KG.



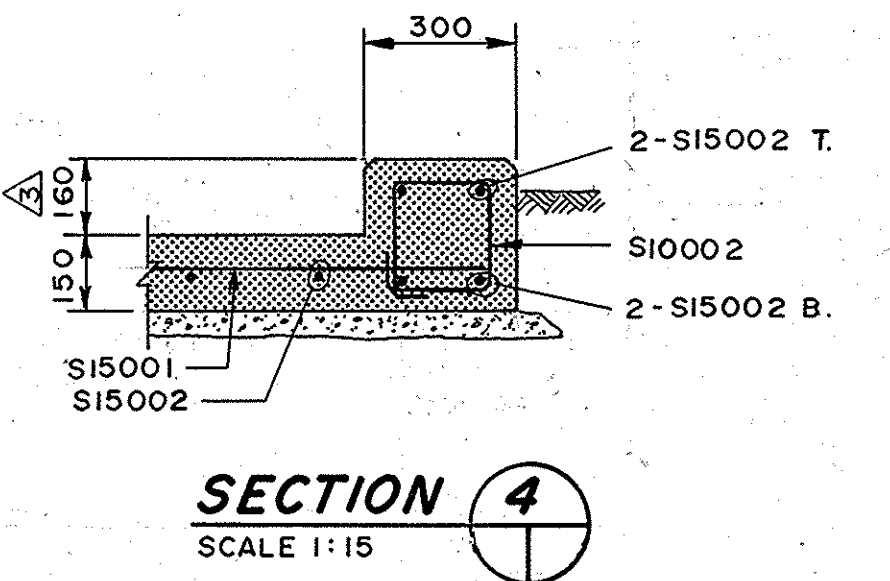
SECTION 2
SCALE 1:15



DETAIL AT INTERMEDIATE POSTS
SCALE 1:2.5

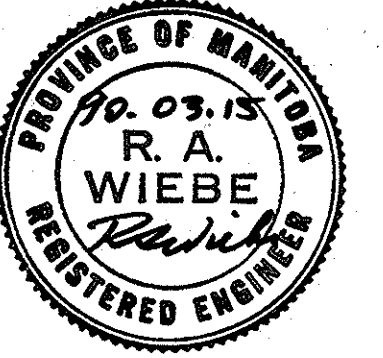


SECTION 3
SCALE 1:15



SECTION 4
SCALE 1:15

RECORD DRAWING
APPROVED BY: *Brad Parker* DATE: *Dec 19/90*



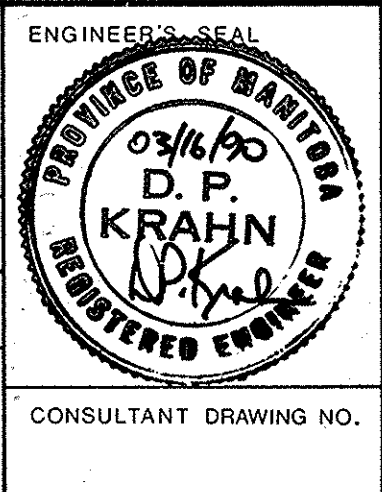
NO.	REVISIONS	DATE	BY
Δ	DIMENSION REVISIONS		
Δ	WHERE MARKED	8-15-90	W.P.S.
Δ	GENERAL REVISIONS	7-6-90	W.P.S.
Δ	GENERAL REVISIONS	6-19-90	D.M.W.

DILLON
Consulting Engineers • Planners
Environmental Scientists

DESIGNED BY: G.S. CHECKED BY: D.P.K.
DRAWN BY: S.K.B. APPROVED BY: N.B.U.

HOR. SCALE: AS SHOWN
VERTICAL: AS SHOWN

RELEASED FOR CONSTRUCTION: _____
DATE: MARCH/90



THE CITY OF WINNIPEG
WORKS AND OPERATIONS DIVISION

KILDONAN BRIDGE PROJECT

CITY DRAWING NUMBER: **P2986-14**
SHEET 14 OF 14

CONCRETE STAIRS CONSTRUCTION DETAILS

CONSULTANT DRAWING NO. _____