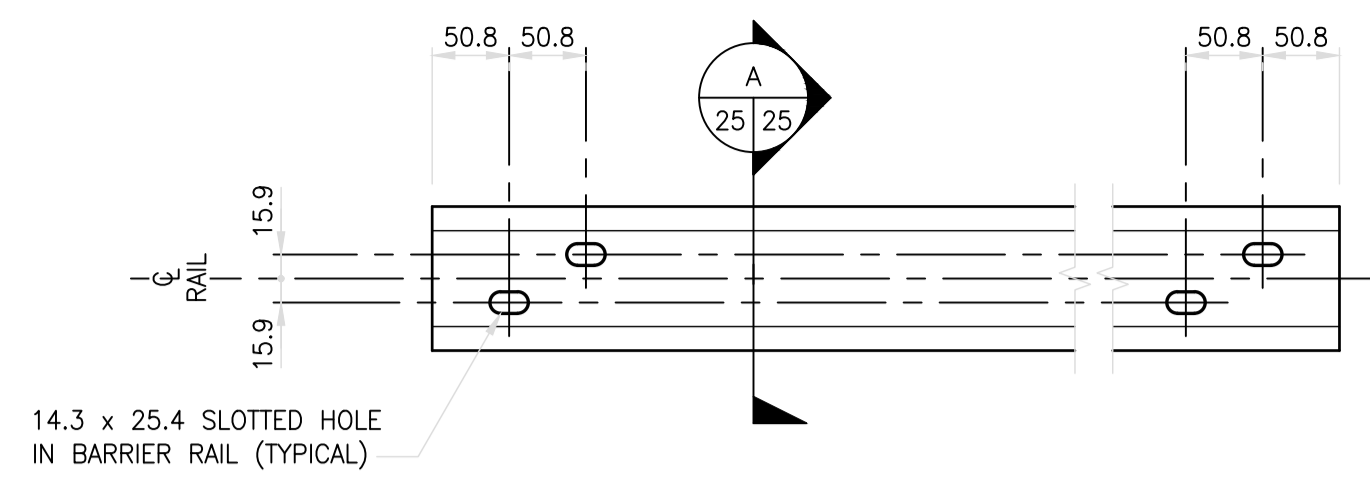
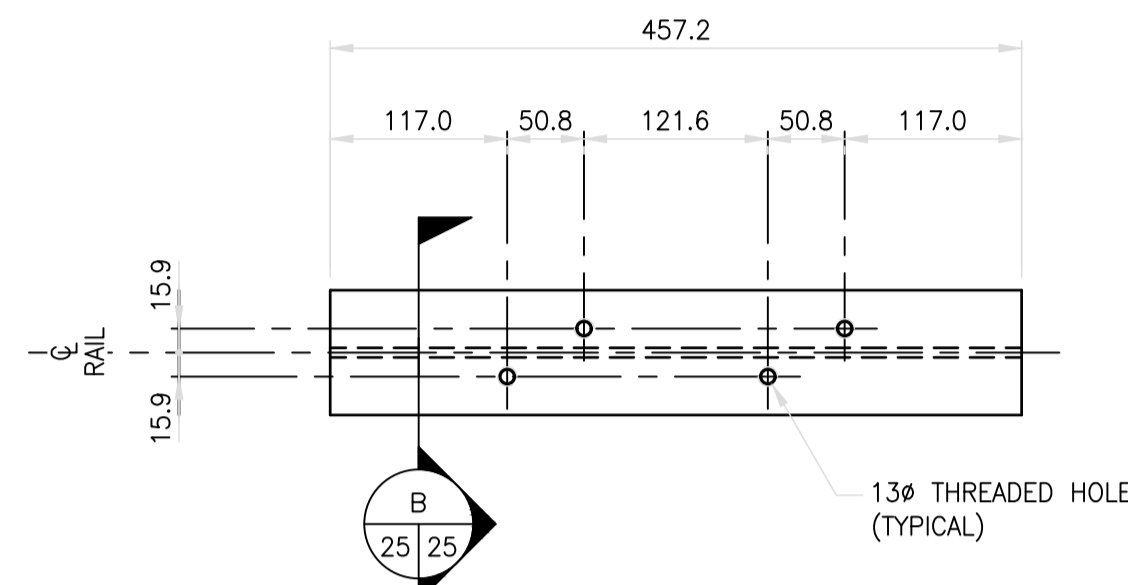


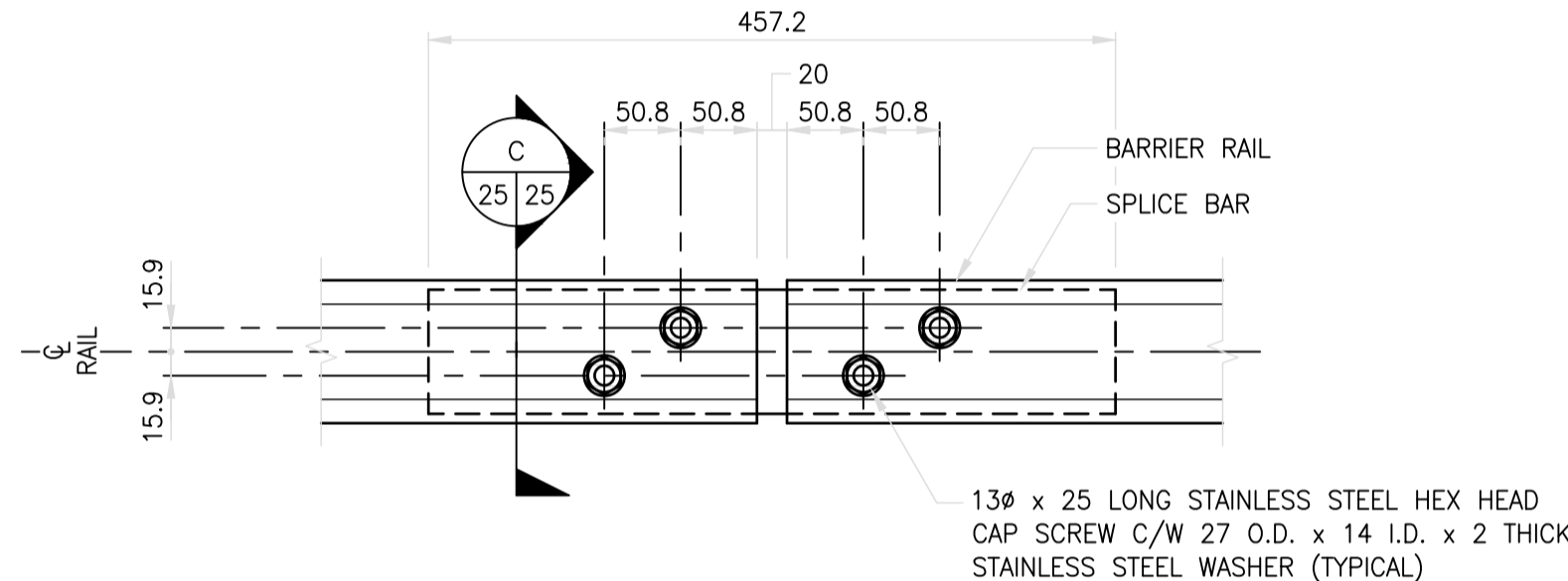
Feb 26, 2018 - 11:18am P:\2017\17M-02091-00 - Professional Consulting Services for Other Peguis Greenway Extension from Main Street to Henderson Highway\WSP DWG\Detail Design Drawings\17M-02091-00_C23-C24_CPT Guard Rail Details.dwg - Job:24 Approach Barrier Details (Sheet 2 of 2)



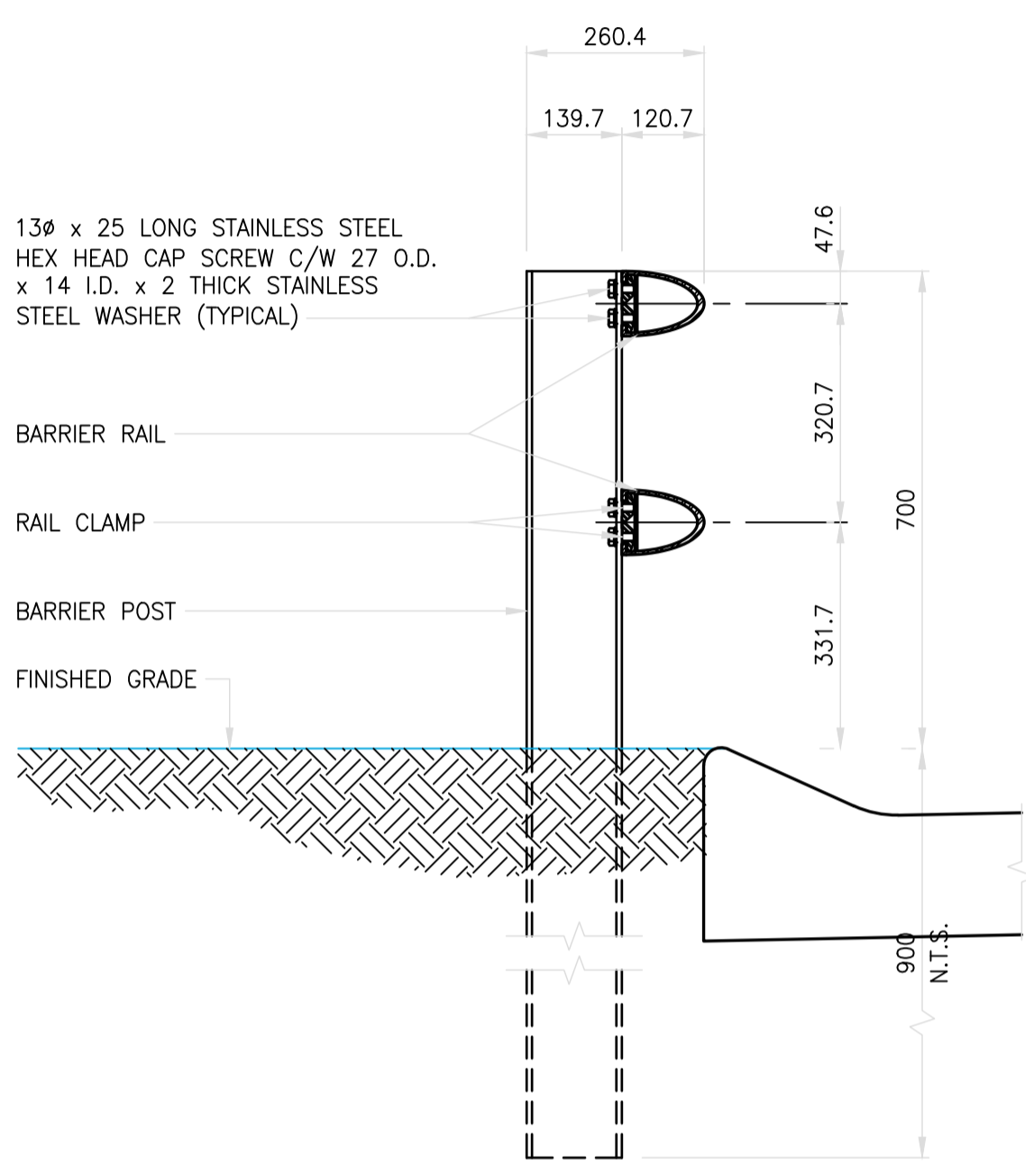
BARRIER RAIL DETAIL
SCALE 1:5



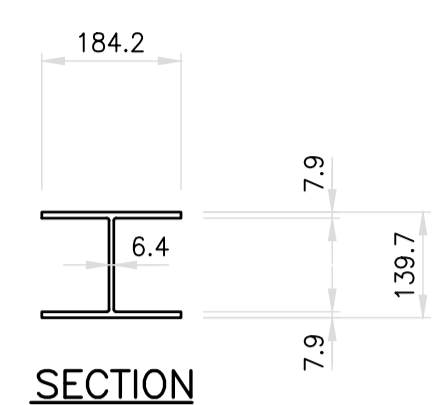
SPLICE BAR DETAIL
SCALE 1:5



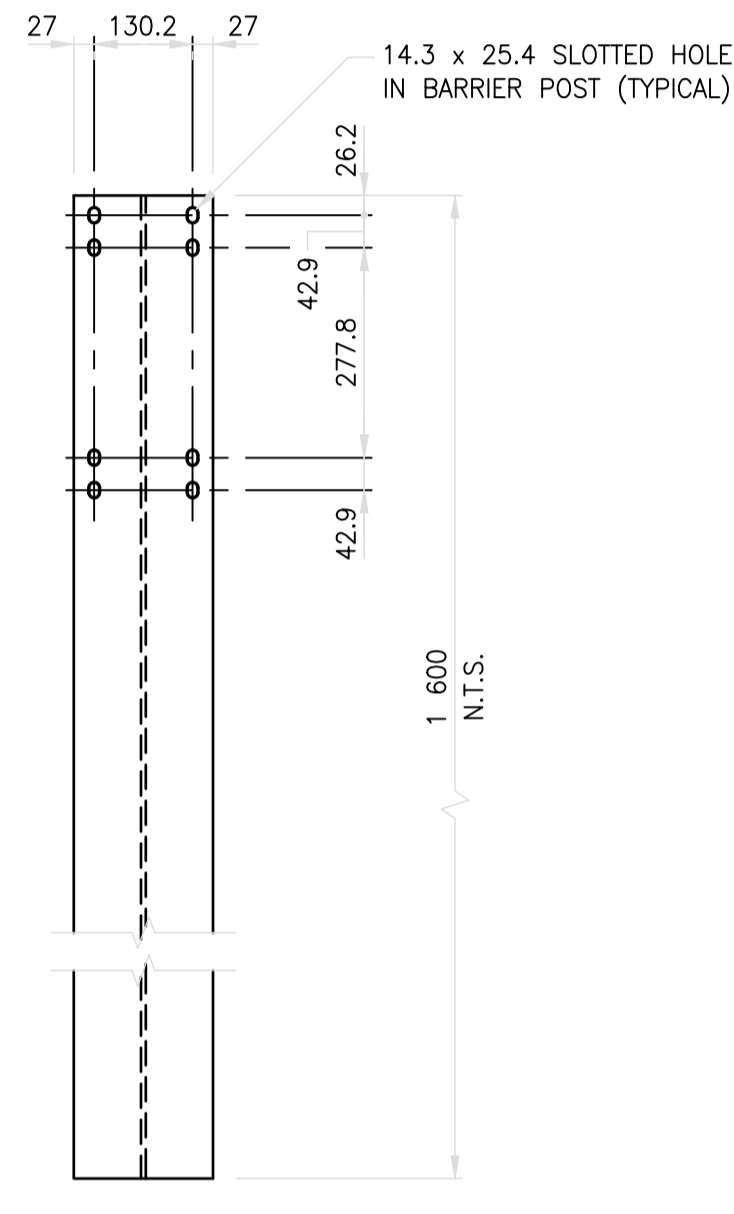
SPLICE BAR TO BARRIER RAIL ASSEMBLY DETAIL
SCALE 1:5



SECTION A
SCALE 1:10

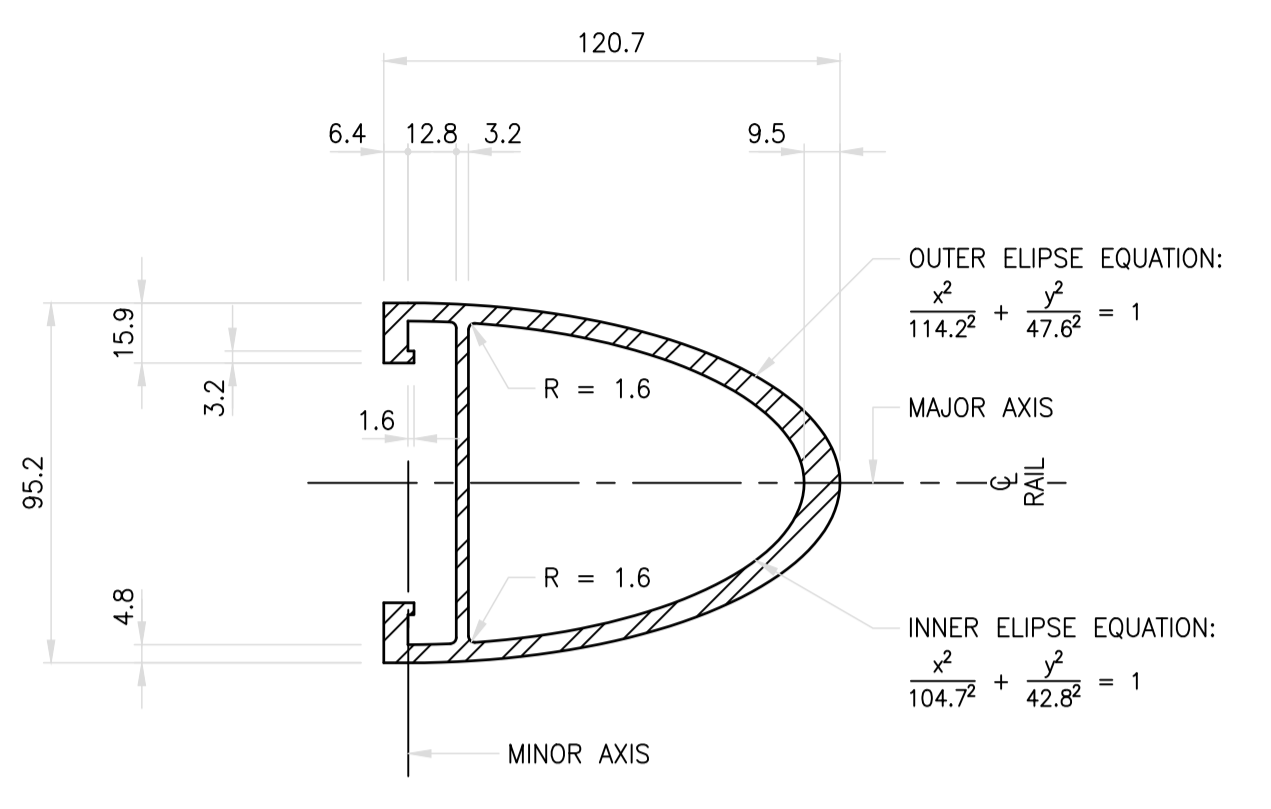


SECTION

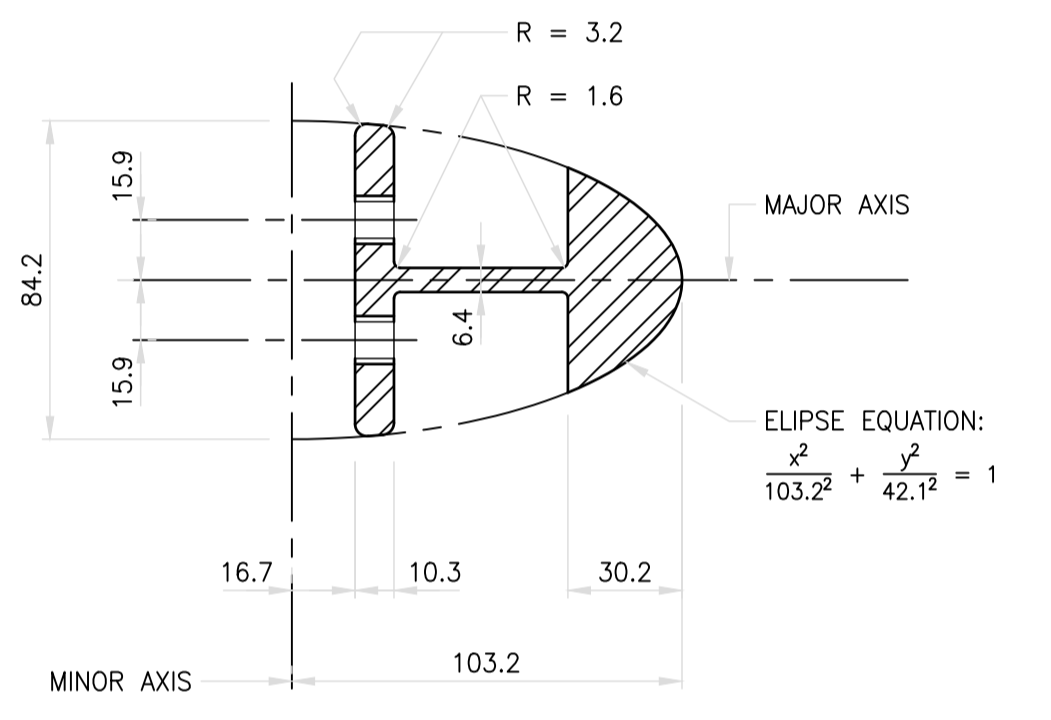


ELEVATION

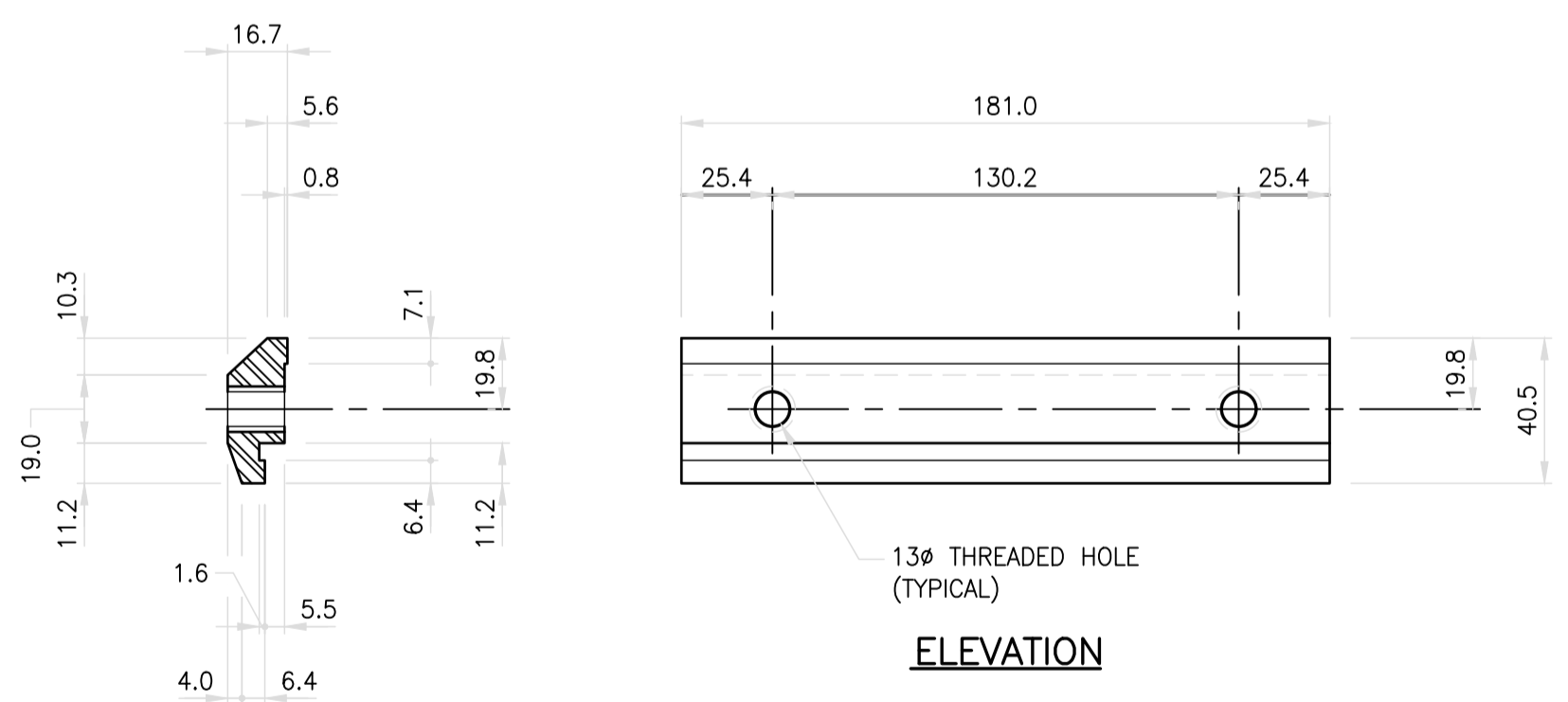
1 600 mm POST DETAIL
SCALE 1:10



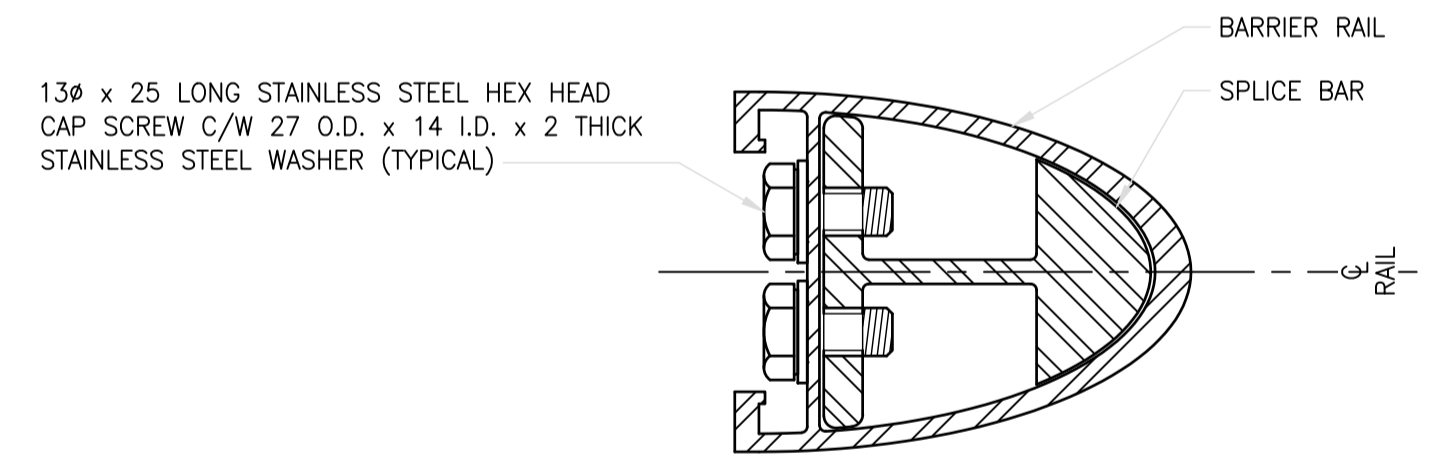
SECTION A
SCALE 1:2



SECTION B
SCALE 1:2



RAIL CLAMP BAR
SCALE 1:2



SECTION C
SCALE 1:2

- MATERIAL SPECIFICATIONS**
- ALUMINUM RAILS, POSTS, SPLICE BARS, CLAMP BARS, AND END CAPS SHALL CONFORM TO ASTM B221, ALLOY 6061-T6, OR ALLOY 6351-T6.
 - STAINLESS STEEL WASHERS SHALL CONFORM TO ASTM A296.
 - CAP SCREWS SHALL CONFORM TO ASTM A276, TYPE 430 STAINLESS STEEL.
 - ANTI-SEIZE COATING TO BE APPLIED TO ALL THREADED COMPONENTS WHEN BEING ASSEMBLED [I.E., LPS-3 MANUFACTURED BY HOLT LLOYD (CANADA) LTD. MARKHAM, ONTARIO L3R 2Z3].

LOCATIONS APPROVED UNDERGROUND STRUCTURES

SIGNED BY:	DATE:
SUPV UG STRUCTURES	
LOCATION OF UNDERGROUND STRUCTURES AS SHOWN ARE BASED ON THE BEST INFORMATION AVAILABLE BUT NO GUARANTEE IS GIVEN THAT ALL EXISTING UTILITIES ARE SHOWN OR THAT THE GIVEN LOCATIONS ARE EXACT CONFIRMATION OF EXISTENCE AND EXACT LOCATION OF ALL SERVICES MUST BE OBTAINED FROM THE INDIVIDUAL UTILITIES BEFORE PROCEEDING	

G.B.M. ELEV.	
5	
4	
3	ISSUED FOR TENDER 23-02-18 DS
2	ISSUED FOR UG STRUCTURES REVIEW 26-01-18 VM
1	ISSUED FOR CLIENT REVIEW 11-01-18 VM
NO.	REVISIONS DATE BY

wsp

WSP Canada Group Limited
Suite 111 - 93 Lombard Ave
Winnipeg, MB R3B 3B1
T. 204-943-3178
F. 204-943-4948
www.wsp.com

DESIGNED BY: JM/DS	CHECKED BY: TP
DRAWN BY: SB	APPROVED BY: VM
HOR. SCALE: AS SHOWN	RELEASED FOR CONSTRUCTION: DATE
VERTICAL: -	

ENGINEER'S SEAL

J.S.F. MAGNE
Member 31236

CONSULTANT ACAD DWG. NO. 17M-02091-00-C-24

THE CITY OF WINNIPEG
PUBLIC WORKS DEPARTMENT
ENGINEERING DIVISION

CHIEF PEGUIS GREENWAY EXTENSION
FROG PLAIN WAY TO HENDERSON HIGHWAY

KILDONAN SETTLER BRIDGE
GUARDRAIL DETAILS (2 OF 2)

CITY DRAWING NUMBER
SHEET 24 OF 26
BID NO. 4-2018

METRIC
WHOLE NUMBERS INDICATE MILLIMETRES
DECIMALIZED NUMBERS INDICATE METRES

ES ENGINEERS
GEOSCIENTIST
MANITOBA

Certificate of Authorization
WSP Canada Group Limited
No. 6657