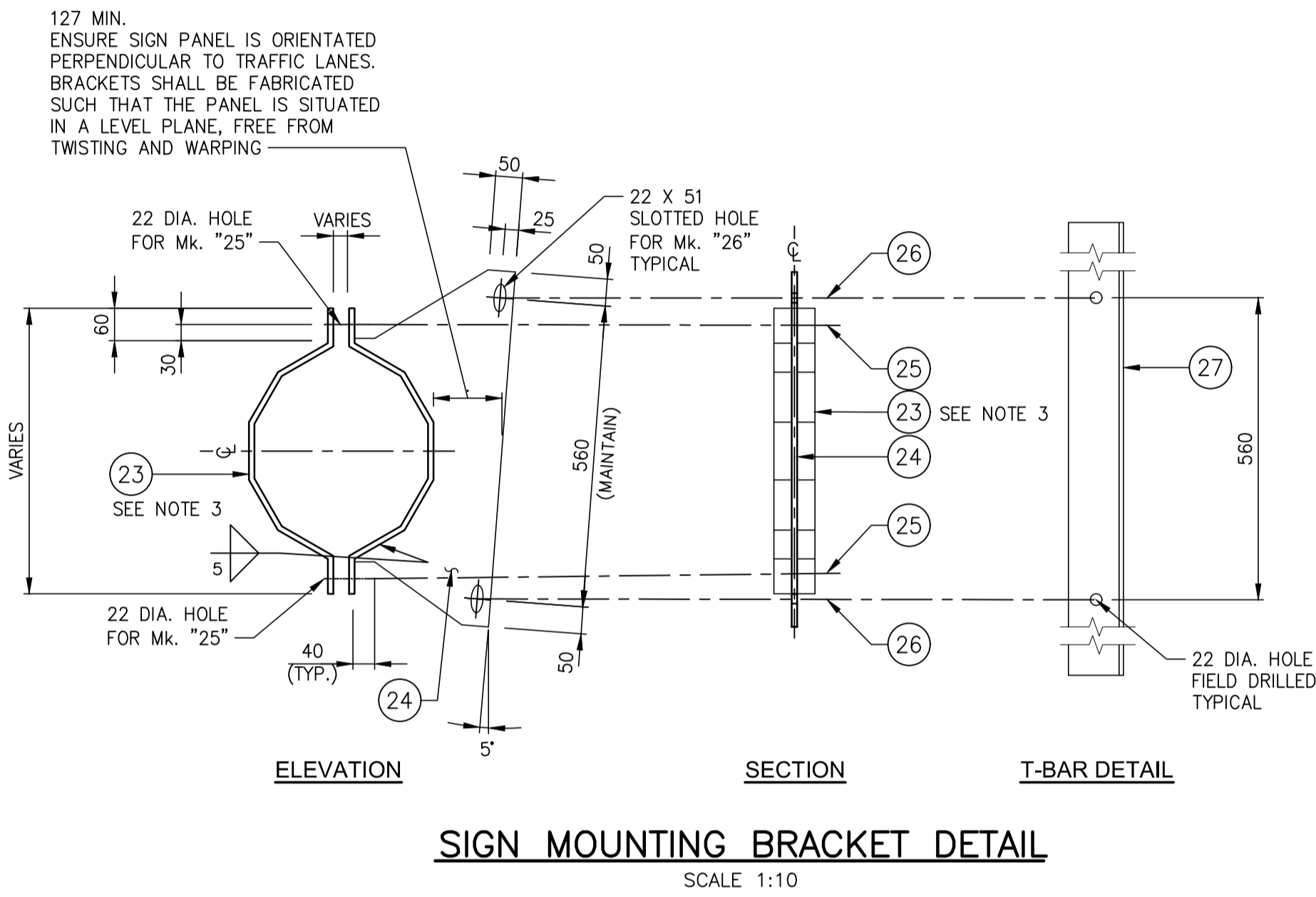
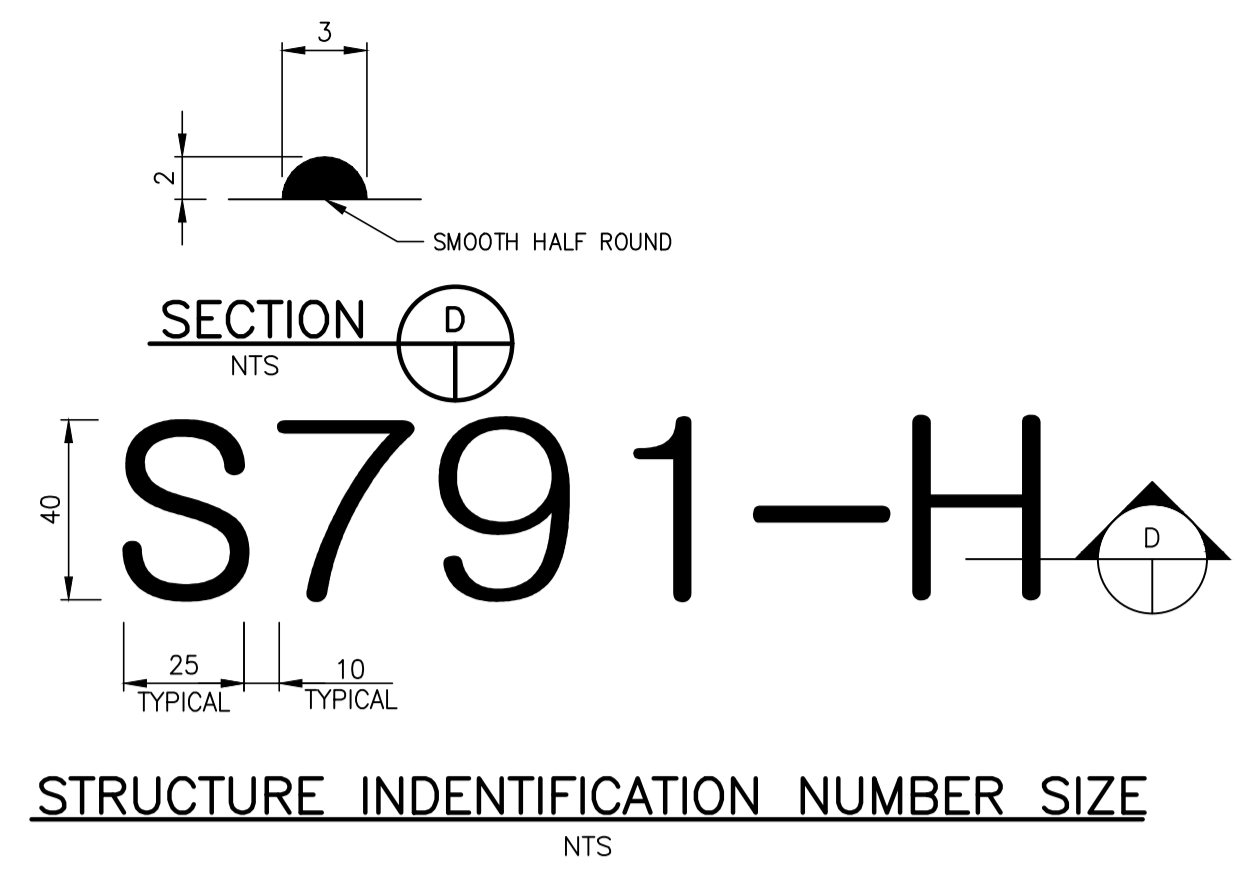
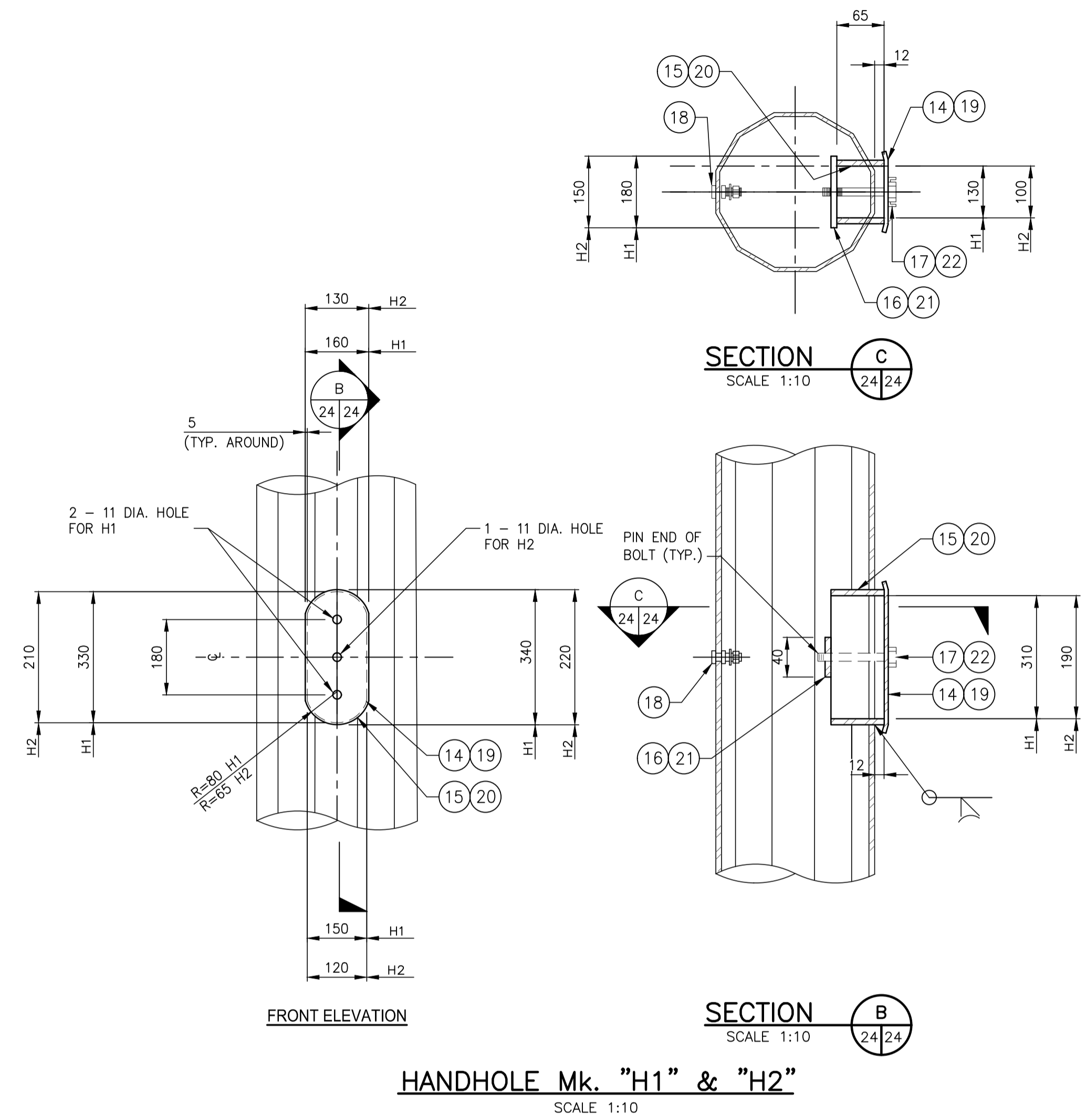


File: P:\2017\17m-02091-00 - Professional Consulting Services for Chief Peguis Trail - Overhead Sign Structure\17m-02091-00 - CPT Greenway DD-24-26 OH-signing.dwg | Layout: 26 Main Street at Chief Peguis Trail (Sheet 3 of 3) | A1 SIZE (594 mm x 841 mm) | Last saved by: pdmccr... | February 22, 2018 at 1:00:03 PM |



BILL OF MATERIALS		
MK.	QTY.	DESCRIPTION
1	1	DODECAGONAL SHAFT 400 A/F x 10
2	1	DODECAGONAL ARM 400 A/F TO 200 A/F x 10
3	1	BASE PLATE 600 DIAMETER X 51 THICK (GR. 300W)
4	1	BACKUP STRIP 6 x 51 (FOR SHAFT)
5	1	BACKUP STRIP 6 x 51 (FOR ARM)
6	1	END PLATE 225 A/F ROUND X 6 THICK C/W 10 DIA. HOLE FOR VENTING
7	12	32 DIA. A325 BOLTS GALV. C/W NUT & WASHER, LENGTH TO SUIT
8	2	FLANGE PLATE 600 x 650 x 51 (GR.300W)
9	2	SIDE GUSSET PLATE 20 x 600 x 250
10	1	TOP GUSSET PLATE 10 THICK C/W 10 DIA. HOLE FOR VENTING
11	1	BOTTOM GUSSET PLATE 10 THICK
12	1	ROUND COVER PLATE 425 DIA. x 10 THICK C/W 10 DIA. HOLE FOR VENTING
13	2	DODECAGONAL INTERIOR GUSSET PLATE 8 THICK
HANDHOLE MARK H1 (1 REQUIRED)		
14	1	COVER PLATE 11 GA. x 160 x 340 (ASTM A569)
15	1	REINFORCING RING 8 x 65 x 830
16	2	CLAMP BAR 6 x 40 x 180
17	2	10 DIA. x 140 BOLT S/S (TYPE 316)
18	1	GROUND STUD ASSEMBLY 10 DIA. x 40 (STAINLESS STEEL)
HANDHOLE MARK H2 (1 REQUIRED)		
19	1	COVER PLATE 11 GA. x 130 x 220 (ASTM A569)
20	1	REINFORCING RING 8 x 65 x 555
21	1	CLAMP BAR 6 x 40 x 150
22	1	10 DIA. x 140 BOLT S/S (TYPE 316)
SIGN MOUNTING BRACKET (4 REQUIRED)		
23	2	CLAMP BAR 12 x 76 (LENGTH TO SUIT)
24	1	BRACKET PLATE 12 THICK
25	2	19 DIA. ASTM F1554 GRADE 55 THREADED ROD C/W 2 A563 GRADE A NUTS & F436 WASHER AND LOCK WASHER (ALL GALVANIZED)
26	2	19 DIA. x S/S BOLT (TYPE 316) C/W NUT, 2 WASHERS & 1 LOCK WASHER (ASTM A193 GRADE BB)
27	1	ALUMINUM T-BAR 6041-T6 ASTM B221 102 x 76 x 8, LENGTH TO SUIT

- NOTES**
- Mk. "16" & "21" CLAMP BARS C/W TAPPED HOLE IN CENTRE FOR Mk. "17" & "22" BOLT. RE-TAP AFTER GALVANIZING.
 - Mk. "17" AND "22" BOLTS C/W TAMPER PROOF ALUMINUM CAP WASHER.
 - Mk. "18" GROUND STUD ASSEMBLY C/W HEX NUT, 2 TERMINAL WASHERS AND 1 LOCK WASHER (ALL STAINLESS STEEL).

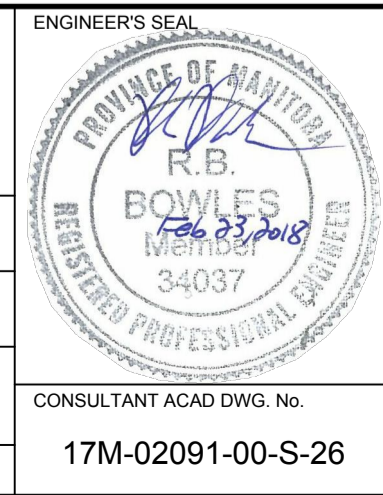
- GENERAL NOTES**
- "RAISED" IDENTIFICATION NO. WITH WELDING ELECTRODE PROVIDED FOR THE SIGN STRUCTURE.
 - GRIND ALL SHARP POINTS AND EDGES PRIOR TO GALVANIZING.
 - PROVIDE BRACKET I.D. ON Mk. "23" WITH 3 mm HALF ROUND WELD BEAD.

METRIC
WHOLE NUMBERS INDICATE MILLIMETRES
DECIMALIZED NUMBERS INDICATE METRES



LOCATIONS APPROVED UNDERGROUND STRUCTURES	
SIGNED BY: SUPV U/G STRUCTURES	DATE
LOCATION OF UNDERGROUND STRUCTURES AS SHOWN ARE BASED ON THE BEST INFORMATION AVAILABLE BUT NO GUARANTEE IS GIVEN THAT ALL EXISTING UTILITIES ARE SHOWN OR THAT THE GIVEN LOCATIONS ARE EXACT CONFIRMATION OF EXISTANCE AND EXACT LOCATION OF ALL SERVICES MUST BE OBTAINED FROM THE INDIVIDUAL UTILITIES BEFORE PROCEEDING.	
G.B.M. = -	ELEV. = -
No.	REVISIONS
0	ISSUED FOR TENDER 18.02.23 JL
	DATE BY DATE

wsp		WSP Canada Group Limited 93 Lombard Avenue, Suite 111 Winnipeg MB R3B 3B1 T+ 1 204-943-3178 F+ 1 204-943-4948 www.wsp.com	
DESIGNED BY	KJS	CHECKED BY	BB
DRAWN BY	KB	APPROVED BY	JL
HOR. SCALE	AS NOTED	RELEASED FOR CONSTRUCTION	
VERTICAL	AS NOTED		
No.	REVISIONS	DATE	DATE
		18.02.23	18.02.23



THE CITY OF WINNIPEG
PUBLIC WORKS DEPARTMENT
ENGINEERING DIVISION

Winnipeg

CHIEF PEGUIS TRAIL - GREENWAY EXTENSION

OVERHEAD SIGN STRUCTURE

S791 - MAIN STREET AT CHIEF PEGUIS TRAIL (SHEET 3 OF 3)

CITY DRAWING NUMBER	B216-18-26
SHEET OF	26 OF 26
BID OPPORTUNITY NUMBER	4-2018

CONSULTANT ACAD DWG. No. 17M-02091-00-S-26

NOTE: These design documents are prepared solely for the use by the party with whom the design professional has entered into a contract and there are no representations of any kind made by the design professional to any party with whom the design professional has not entered into a contract.