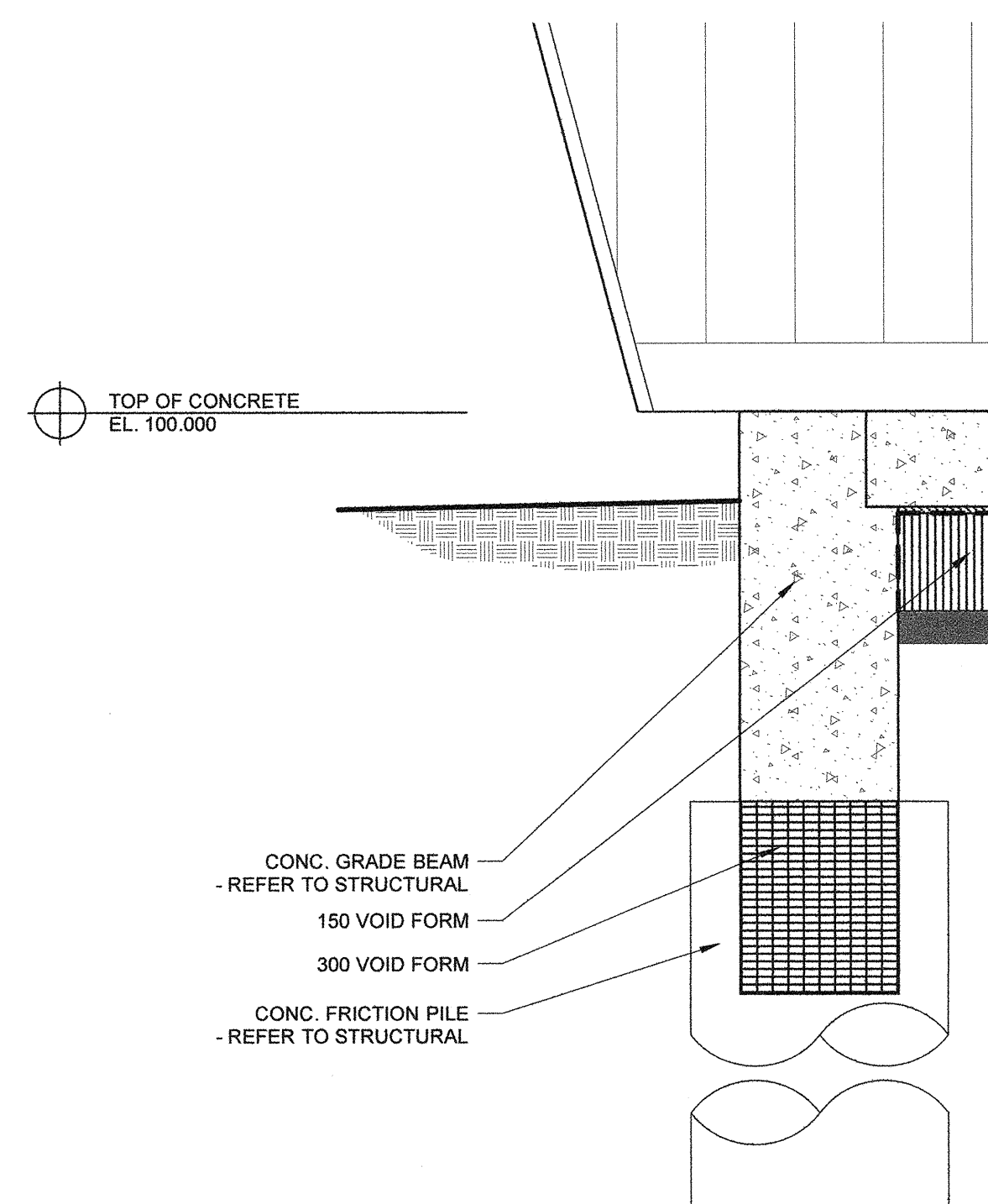
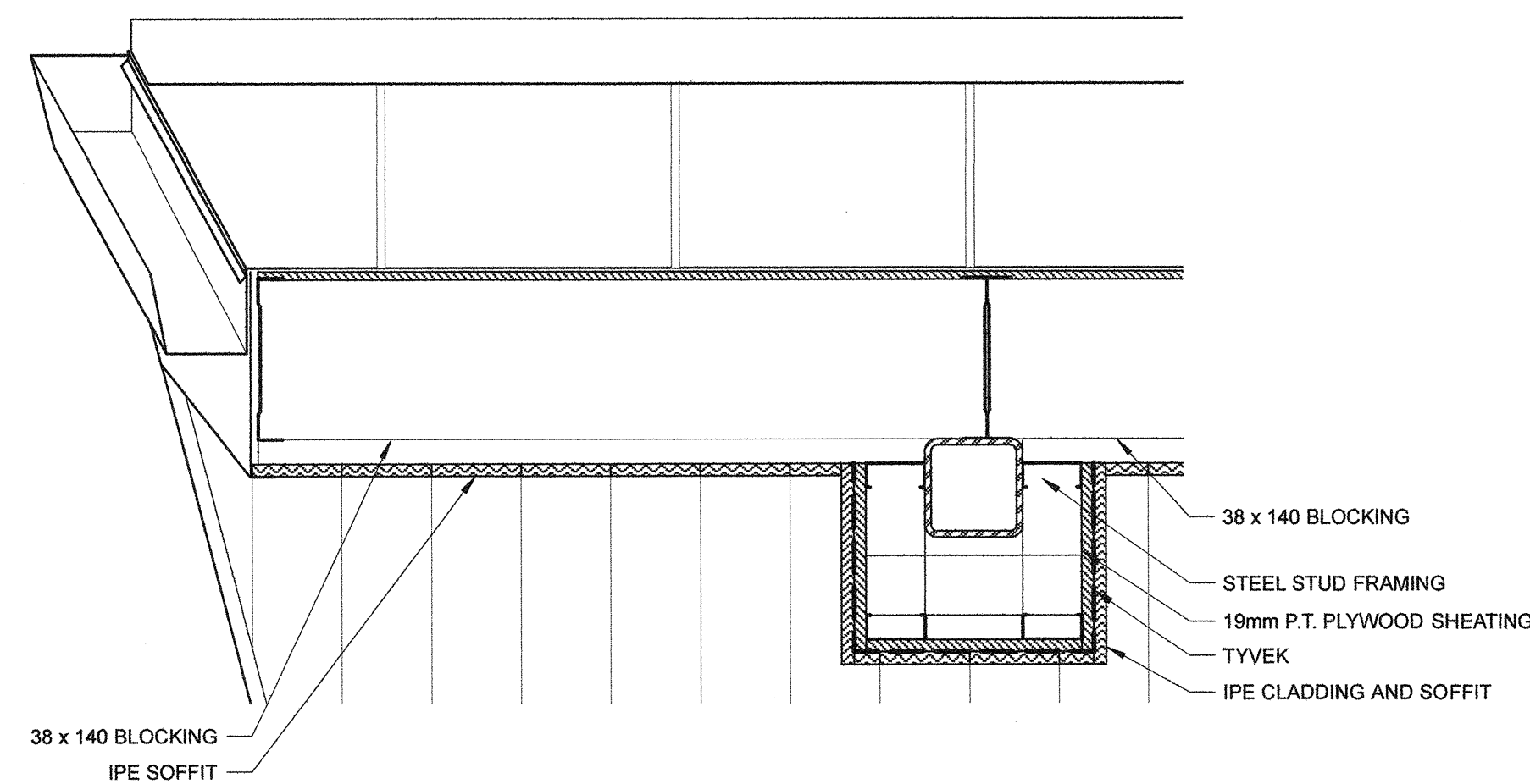
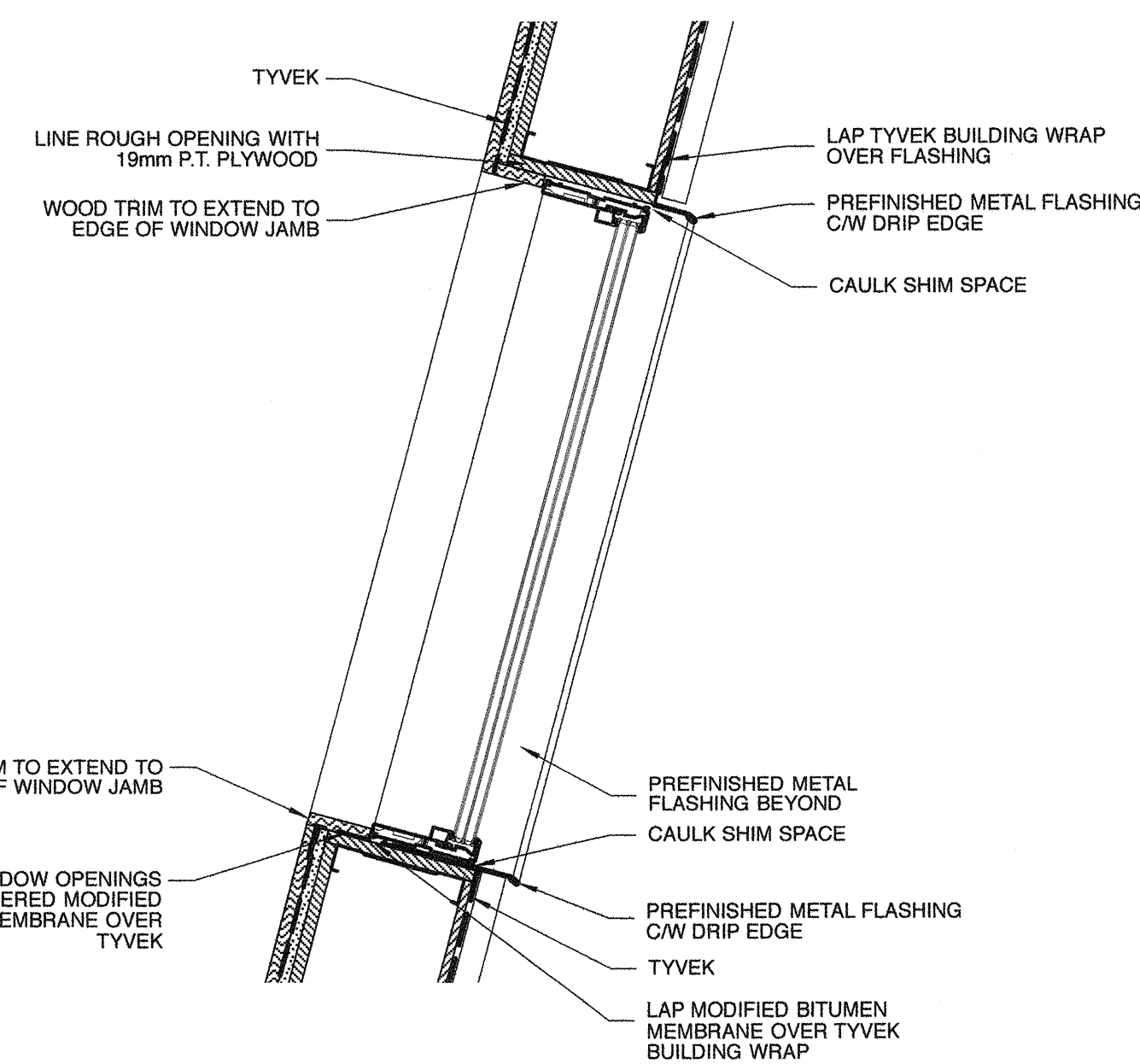


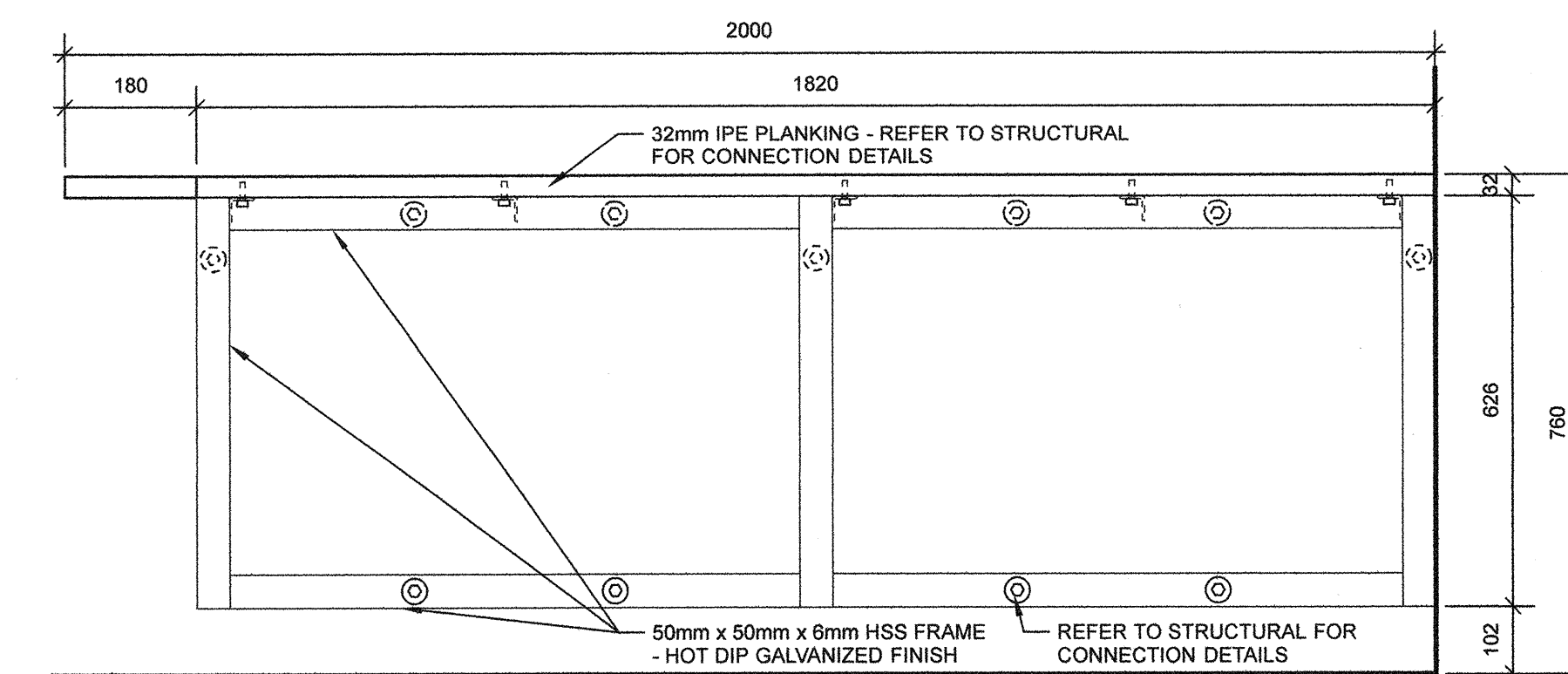
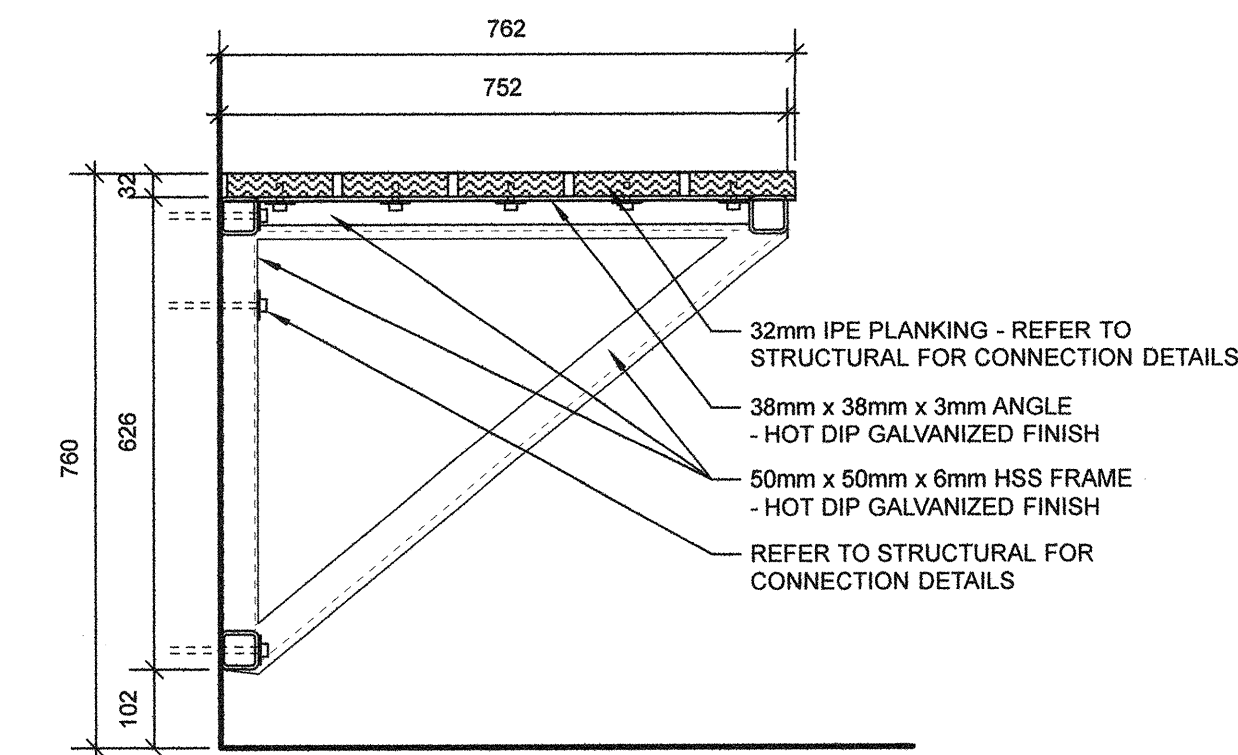
ALL DRAWINGS AND SPECIFICATIONS ARE THE PROPERTY OF THE CONSULTANT AND NO REPRODUCTIONS MAY BE MADE WITHOUT THE CONSENT OF THE CONSULTANT AND THE CONTRACTOR SHALL VERIFY ALL DIMENSIONS, DATUMS AND LEVELS NOTED ON THE DRAWINGS WITH THE CONDITIONS ON SITE AND SHALL BE RESPONSIBLE FOR REPORTING ANY ERRORS OR OMISSIONS TO THE ENGINEER FOR ADJUSTMENT. THIS DRAWING SHALL NOT BE SCALED.



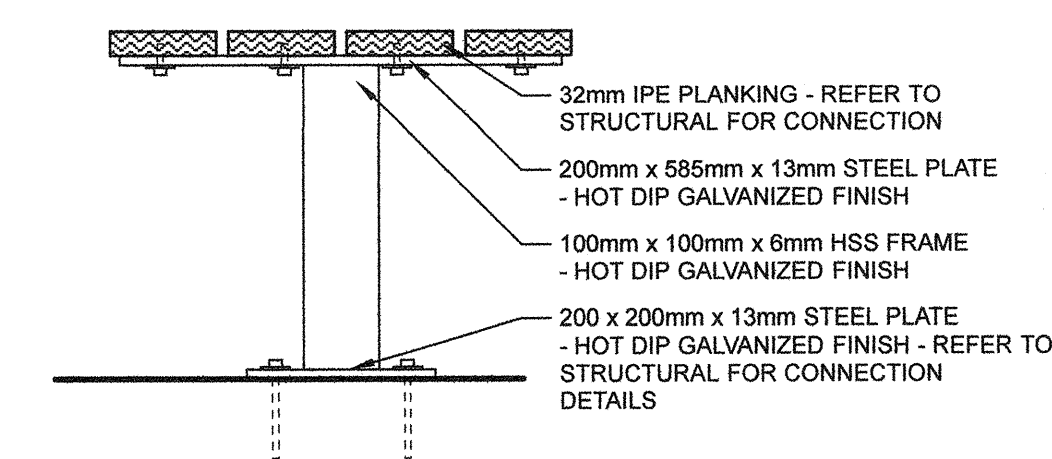
4 WALL SECTION
A4.1 | A4.3 1/4



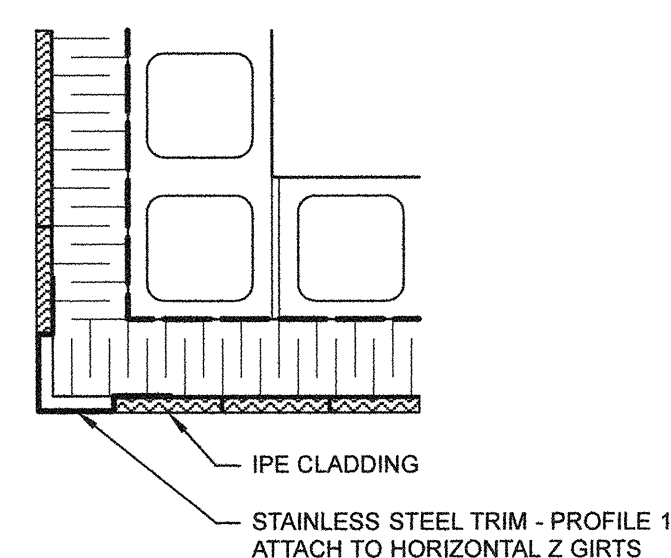
5 WINDOW SECTION
A4.1 | A4.3 1/4



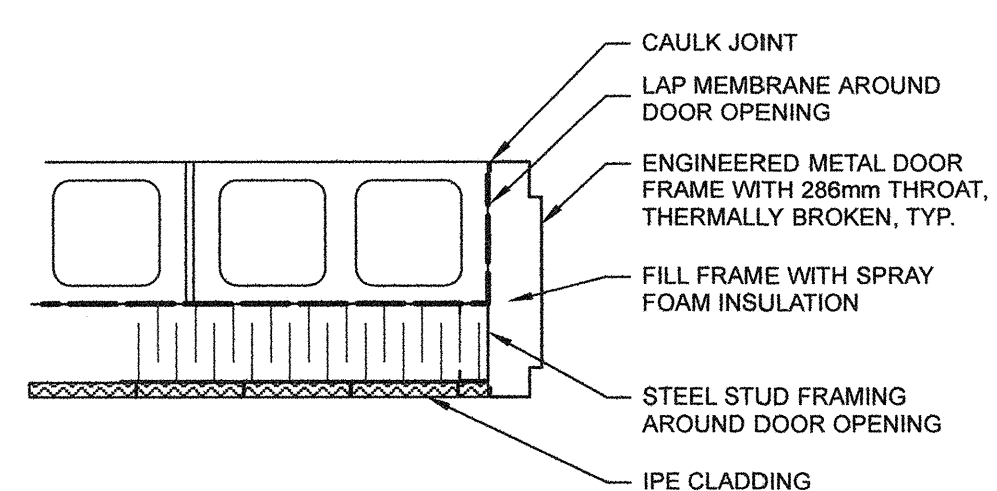
6 CHANGE BENCH DETAIL
A2.1 | A4.3 1/4



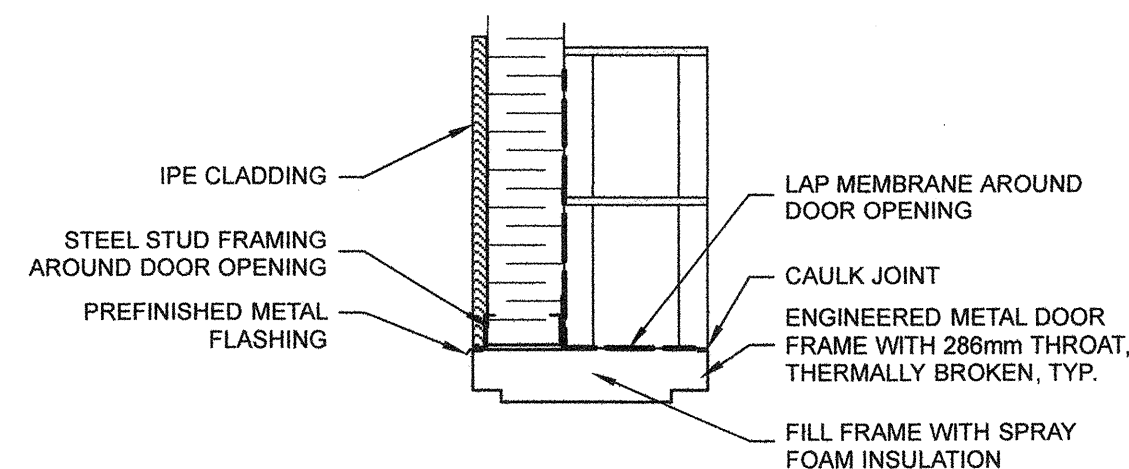
7 BENCH DETAIL
A2.1 | A4.3 1/4



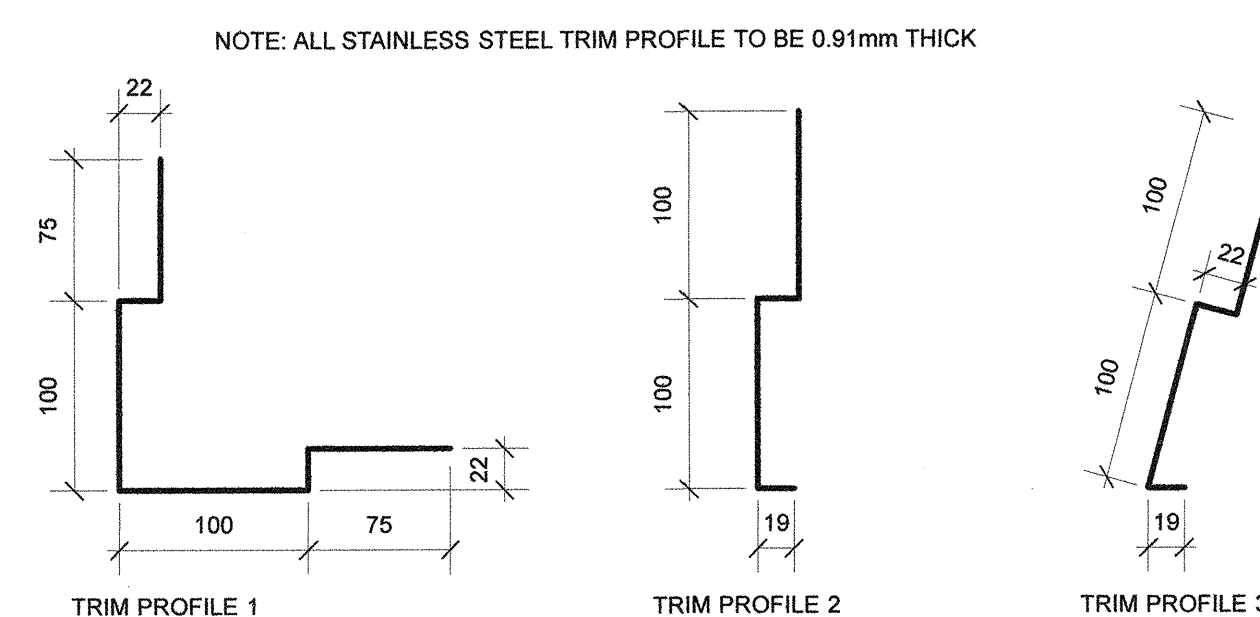
8 TYPICAL CORNER DETAIL
A2.1 | A4.3 1/4



9 TYPICAL DOOR JAMB
A2.1 | A4.3 1/4



10 TYPICAL DOOR HEAD
A2.1 | A4.3 1/4



11 STAINLESS STEEL TRIM PROFILES
A2.1 | A4.3 1/4

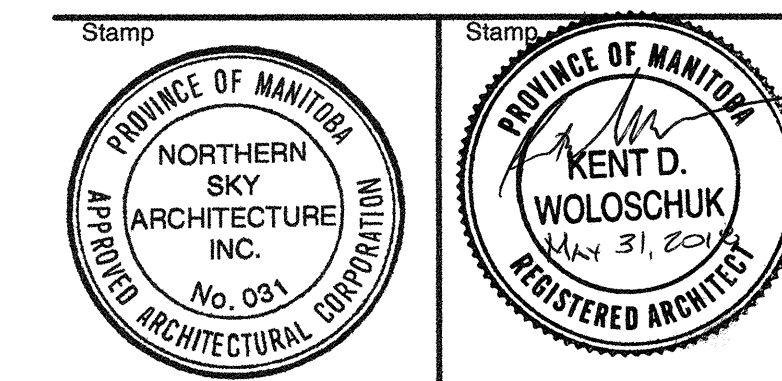


Revisions

May 31, 2018 Issued for Construction
Date Revision

Northern Sky Architecture Inc.

100-128 James Avenue
Winnipeg, Manitoba, Canada
R5B 0Y6
204.943.6767



Project
New La Barriere Park Washroom Project
LaBarriere Park, Manitoba

| drawing title | | | |
|---------------|-----------|-------------|-----------|
| WALL SECTIONS | | | |
| scale | as noted | designed by | kbb |
| date | May, 2018 | drawn by | kdw |
| project no. | 16.235 | reviewed by | dko |
| bid opp. no. | 436-2018 | sheet | A4.3 REV. |