

ALL DRAWINGS AND SPECIFICATIONS ARE THE PROPERTY OF THE CONSULTANT AND NO REPRODUCTIONS SHALL BE MADE WITHOUT THE CONSENT OF THE CONSULTANT AND THE CONTRACTOR SHALL VERIFY ALL DIMENSIONS, PATENTS AND LEGISLATION BEFORE REPORTING ANY ERRORS OR OMISSIONS TO THE ENGINEER FOR ADJUSTMENTS. THIS DRAWING SHALL NOT BE SCALED.

DRAWING NOTES - PLUMBING

- SUPPLY AND INSTALL LAVATORY. EXTEND 1/2" DCW AND 1/2" DHW PIPING DOWN BUILDING SERVICES WALL FOR CONNECTION TO FIXTURE BRASS ON WALL. C/W ISOLATION VALVES ON SUPPLY PIPING. CONNECT VENT ABOVE FLOOD LEVEL OF FIXTURE. SENSOR WIRED BY ELECTRICAL SUB CONTRACTOR. PROVIDE OFFSET P-TRAP AND INSULATED TRAP COVER. REFER TO SPECIFICATION.
- SUPPLY AND INSTALL FLUSH VALVE TYPE WATER CLOSET. EXTEND 1" DCW SUPPLY PIPING DOWN BUILDING SERVICES WALL TO FLUSH VALVE CONNECTION AT BRASS ABOVE FIXTURE. PROVIDE AIR ON SUPPLY TO EACH FIXTURE. INSTALL AUTOMATIC FLUSH SENSOR FLUSH WITHIN WALL. SENSOR WIRED BY ELECTRICAL SUB CONTRACTOR. VERIFY MOUNTING HEIGHT AND HANDING ON SITE. REFER TO SPECIFICATION.
- SUPPLY AND INSTALL ELECTRIC HOT WATER TANK/W DRIP PAN BELOW TANK AND DRAIN TO MOP SINK IN AREA. EXTEND P&T RELIEF DOWN TO DRIP PAN. PROVIDE ISOLATION VALVES IN TANK INLET/OUTLET CONNECTIONS. REFER TO SPECIFICATION.
- SUPPLY AND INSTALL PUMP C/W TIMECLOCK FOR CONTROL. INSTALL PUMP AT HIGH LEVEL APPROXIMATELY WHERE SHOWN. REFER TO DETAIL FOR INSTALLATION. PROVIDE CONTROLS FOR THE OPERATION OF THE PUMP. AS REQUIRED. UNIT TO BE INSTALLED TO ACCOMMODATE MANUFACTURER'S RECOMMENDED SERVICE AND INSTALLATION CLEARANCE REQUIREMENTS. REFER TO MECHANICAL UNIT SCHEDULE.
- SUPPLY AND INSTALL WELL PUMP SET WITHIN WELL CASING C/W CHECK VALVE ABOVE PUMP. PROVIDE TRENCHING FROM WELL BELOW TANK AND DRAIN TO MOP SINK IN AREA. EXTEND P&T RELIEF DOWN TO DRIP PAN. PROVIDE ISOLATION VALVES IN TANK INLET/OUTLET CONNECTIONS. REFER TO SPECIFICATION.
- PROVIDE MAIN BUILDING TRAP AND CLEAN OUT AT BUILDING LINE. CONFIRM LEAVING INVERT ON SITE.
- VENT TO CONTINUE UP TO ROOF C/W INCREASER AT ROOF LINE. INSULATE VENT PIPING BACK 10'-0" FROM ROOF PENETRATION IN ALL DIRECTIONS.
- SUPPLY AND INSTALL 2" WATER TANK REFILL LINE COMPLETE WITH SHUTOFF VALVE AND THREADED CONNECTION W/ END CAP. SUPPLY AND INSTALL 3" VENT W/ DOWNTURN AT EXTERIOR FOR OVERFLOW.

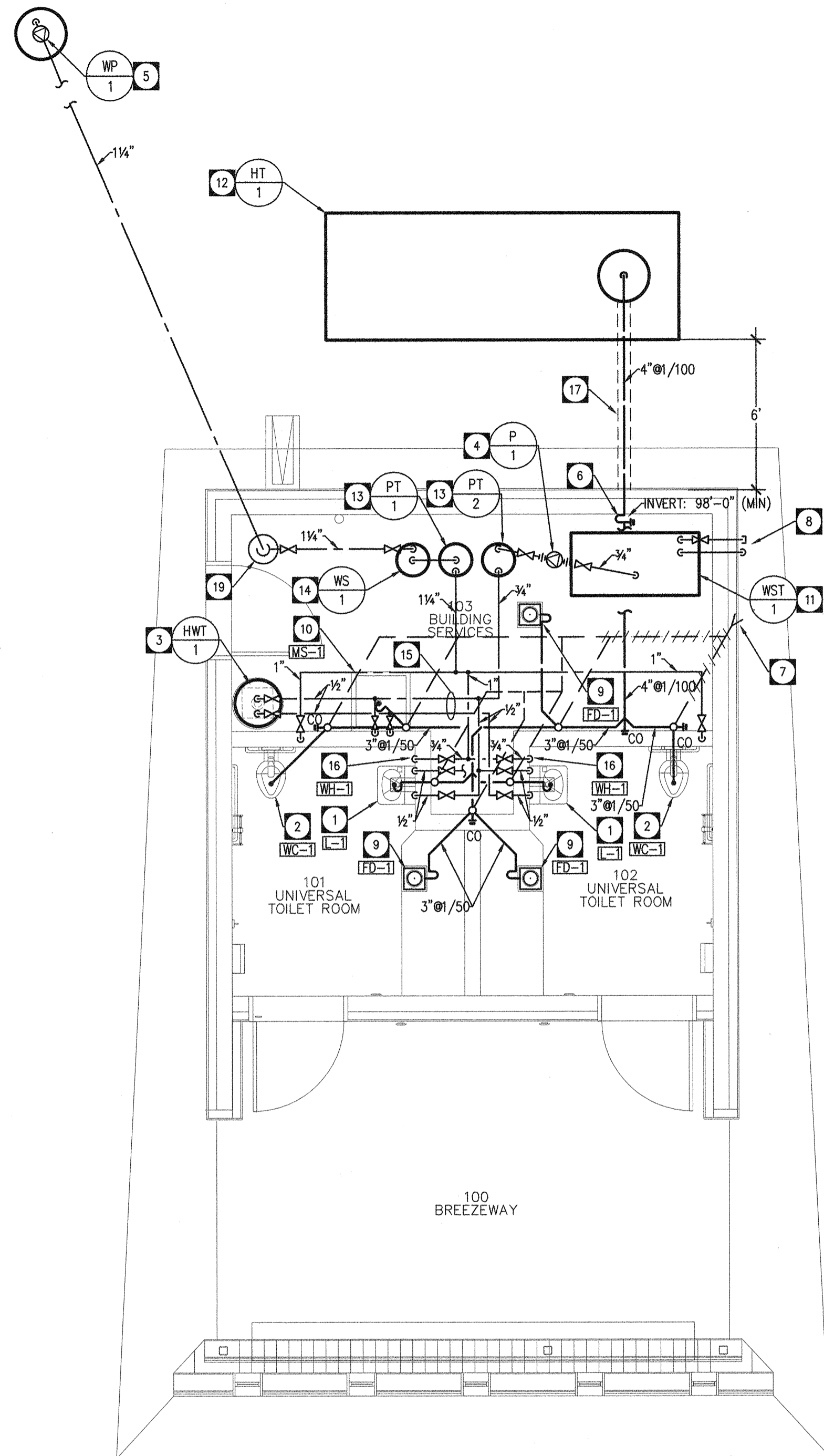
- SUPPLY AND INSTALL 3" FLOOR DRAIN W/ TRAP SEAL. TIE IN 3" @ 1/50 SANITARY LINE TO SANITARY MAIN APPROXIMATELY AS SHOWN. COORDINATE LOCATION OF DRAIN WITH ARCHITECT. REFER TO SPECIFICATION.
- SUPPLY AND INSTALL MOP SINK. PROVIDE 1/2" DCW AND 1/2" DHW PIPING DOWN TO FIXTURE BRASS MOUNTED ON WALL ABOVE FIXTURE C/W DUAL CHECK VALVES. PROVIDE VACUUM BREAKER ON ALL HOSE END CONNECTIONS AND REDUCED PRESSURE BACKFLOW PREVENTER. REFER TO SPECIFICATION.
- SUPPLY AND INSTALL WATER STORAGE TANK APPROXIMATELY WHERE SHOWN. UNIT TO BE INSTALLED TO ACCOMMODATE MANUFACTURER'S RECOMMENDED SERVICE AND INSTALLATION CLEARANCE REQUIREMENTS. REFER TO MECHANICAL UNIT SCHEDULE.
- SUPPLY AND INSTALL SANITARY HOLDING TANK APPROXIMATELY WHERE SHOWN. PROVIDE CONTROLS FOR THE OPERATION OF THE PRESSURE TANK, AS REQUIRED. UNIT TO BE INSTALLED TO ACCOMMODATE MANUFACTURER'S RECOMMENDED SERVICE AND INSTALLATION CLEARANCE REQUIREMENTS. REFER TO MECHANICAL UNIT SCHEDULE.
- SUPPLY AND INSTALL PRESSURE TANK APPROXIMATELY WHERE SHOWN. PROVIDE CONTROLS FOR THE OPERATION OF THE PRESSURE TANK, AS REQUIRED. UNIT TO BE INSTALLED TO ACCOMMODATE MANUFACTURER'S RECOMMENDED SERVICE AND INSTALLATION CLEARANCE REQUIREMENTS. REFER TO MECHANICAL UNIT SCHEDULE.
- SUPPLY AND INSTALL WATER SOFTENING/FILTER DEVICE FOR WELL WATER. REFER TO SPECIFICATION. PROVIDE CONTROLS FOR THE OPERATION OF THE WATER SOFTENING DEVICE, AS REQUIRED. UNIT TO BE INSTALLED TO ACCOMMODATE MANUFACTURER'S RECOMMENDED SERVICE AND INSTALLATION CLEARANCE REQUIREMENTS. REFER TO MECHANICAL UNIT SCHEDULE.
- DOMESTIC WATER PLUMBING TO HANG FROM UNDERSIDE OF CEILING AT HIGH LEVEL. PROVIDE INSULATION SHIELDS ON HANGAR RODS.
- SUPPLY AND INSTALL LOCKED WALL HYDRANT UNDER SINK. TO BE SURFACE MOUNTED/FLUSH IN PANEL. C/W ISOLATION VALVE. CONFIRM EXACT LOCATION WITH OWNER. REFER TO SPECIFICATION. COORDINATE INSTALLATION WITH GENERAL CONTRACTOR. REFER TO SPECIFICATION.
- SANITARY WASTE PIPING TO BE PROTECTED FROM FREEZING WITH INSULATION COVERING. REFER TO DETAILS.
- DOMESTIC WATER PIPING TO RISE UP IN FROST BOX C/W ISOLATION VALVE AT FLOOR LEVEL. EXTEND TRACER WIRE ON PIPING AND CONNECT TO RISER. COORDINATE INSTALLATION WITH PUMP POWER/CONTROL WIRING.

GENERAL NOTES - PLUMBING

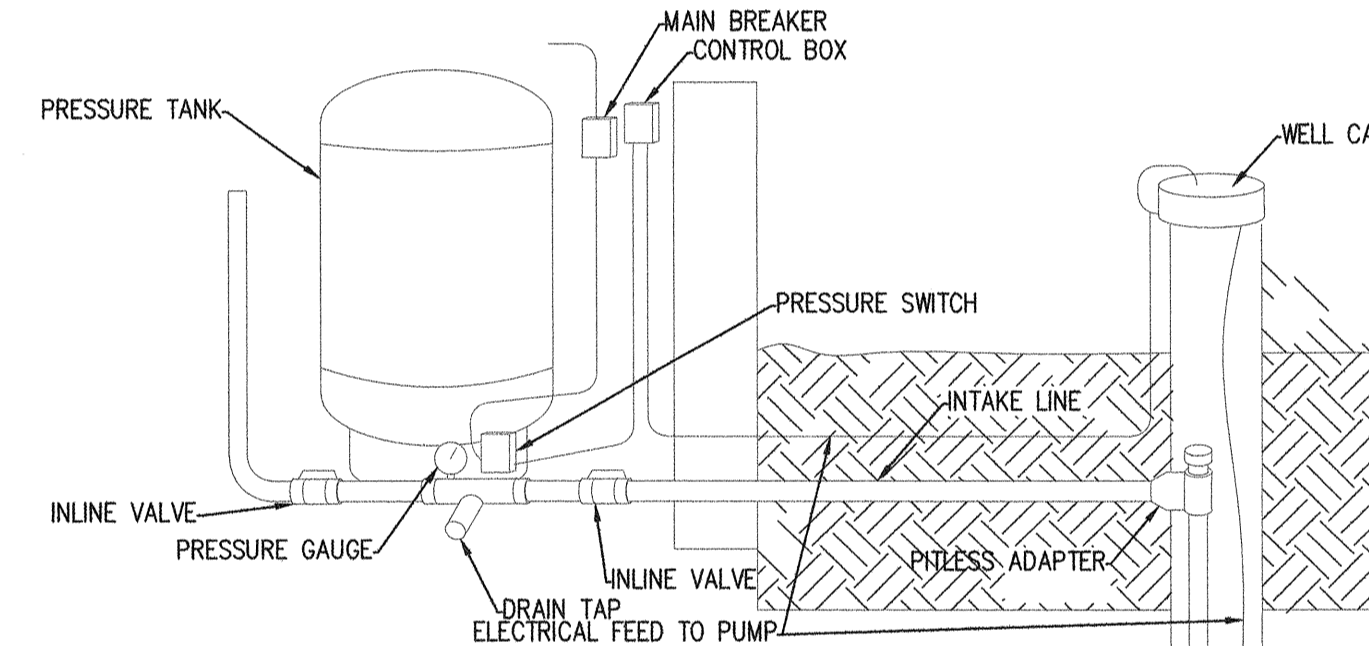
- MECHANICAL SUB CONTRACTOR SHALL VERIFY EXACT LOCATIONS, SIZES, INVERTS, ETC. PRIOR TO COMMENCEMENT OF WORK. VERIFY ALL CONNECTION POINTS ON SITE.
- REFER TO ARCHITECTURAL, ELECTRICAL & STRUCTURAL DRAWINGS FOR COORDINATION PURPOSES.
- ALL CUTTING & PATCHING OF FLOOR SLABS, WALLS ETC. TO BE PERFORMED BY GENERAL CONTRACTOR.
- ALL VENT PIPING TO BE INSTALLED AS PER CODE.
- PROVIDE ISOLATION VALVES ON ALL FIXTURES OR FIXTURE GROUP.
- PROVIDE TRAP SEAL TO ALL FLOOR AND HUB DRAINS. WADE OR EQUAL.
- PROVIDE AUTOMATIC AIR VENTS AT ALL HIGH POINTS OF SYSTEM.
- ALL DOMESTIC WATER LINES TO BE INSULATED TO MANITOBA HYDRO POWER SMART REQUIREMENTS AND MANITOBA ENERGY CODE FOR BUILDINGS REQUIREMENTS.
- ALL WORK SHALL COMPLY IN EVERY RESPECT WITH ALL NATIONAL, PROVINCIAL AND LOCAL CODES AND BY-LAWS, WHICH SHALL BE CONSIDERED PART OF THE SPECIFICATION. IN THE CASE OF CONFLICTING REQUIREMENTS, BE GOVERNED BY THE MOST STRINGENT REGULATIONS.
- THE MECHANICAL SUB CONTRACTOR SHALL INSTALL PLUMBING SYSTEMS IN COMPLETE ACCORDANCE WITH THE RECOMMENDATIONS OF THE NATIONAL/PROVINCIAL BUILDING CODE, LOCAL PLUMBING CODES, AND MANITOBA OFFICE OF THE FIRE COMMISSIONER REQUIREMENTS.
- ALL INSULATING MATERIALS, METHODS, SIZES AND TYPES OF INSULATION FOR ALL PIPING SHALL BE INSTALLED TO THE REQUIREMENTS OF THE ASHRAE STANDARDS 90.1-2010 "ENERGY STANDARD FOR BUILDING EXCEPT LOW-RISE RESIDENTIAL BUILDINGS", STANDARD 90.2 "ENERGY EFFICIENT DESIGN OF LOW-RISE RESIDENTIAL BUILDINGS", THERMAL INSULATION ASSOCIATION OF CANADA (TIAC) STANDARDS, AND MANITOBA ENERGY CODE FOR BUILDINGS REQUIREMENTS.
- PROVIDE DI-ELECTRIC COUPLINGS ON ALL PIPING CONNECTIONS TO HOT WATER TANKS.
- PROVIDE APPROPRIATE FIRE-STOPPING MEASURES ON ALL PIPING PENETRATING FIRE SEPARATIONS SUBMIT SHOP DRAWINGS FOR REVIEW. ACCEPTABLE PRODUCT: HILTI, OR EQUAL.
- INSULATE VENT PIPING BACK 10'-0" (3.0 M) FROM ROOF PENETRATIONS IN ALL DIRECTIONS.
- COORDINATE MOUNTING HEIGHT OF ALL FIXTURES. REFER TO ARCHITECTURAL FOR ELEVATIONS.
- ALL SANITARY WASTE, VENT PIPING, RAIN WATER PIPING, DOMESTIC WATER PIPING, INSULATION, ADHESIVES AND COVERINGS SHALL BE CAPABLE OF MEETING OR EXCEEDING THE FLAME SPREAD RATING OF 25 AND DEVELOPED SMOKE RATING OF 50, AND BE SUITABLE FOR INSTALLATION IN AIR PLENUMS.
- ALL CONTROL / ELECTRICAL WIRING TO MEET FLAME SPREAD RATING OF 25, DEVELOPED SMOKE RATING OF 50 AND BE RATED FOR USE IN PLENUMS.
- PLUMBING SIZING SHOWN IS BASED ON COPPER PIPING FOR DOMESTIC WATER, AND CAST IRON PIPING FOR SANITARY AND STORM. MECHANICAL SUB CONTRACTOR IS RESPONSIBLE FOR RESIZING PLUMBING AS REQUIRED WHEN USING ALTERNATE MATERIALS.

LEGEND - PLUMBING

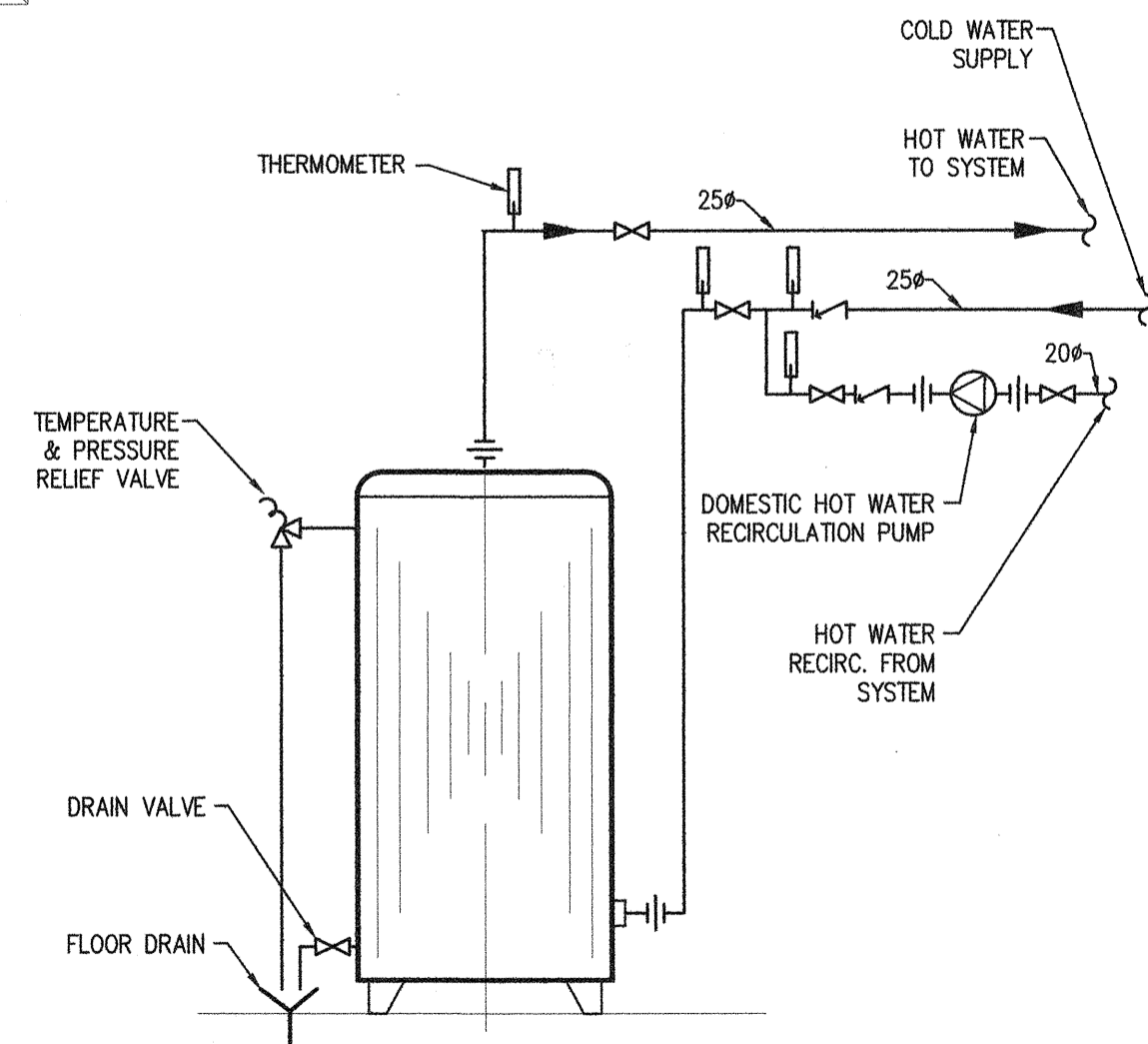
	SANITARY LINE ABOVE FLOOR/GRADE
	SANITARY LINE BELOW FLOOR/GRADE
	VENT LINE
	VENT LINE INSULATION
	PUMPED DISCHARGE LINE
	GAS LINE
	WELL WATER
	DOMESTIC COLD WATER (DCW)
	DOMESTIC HOT WATER (DHW)
	HOT WATER RECIRCULATION (DHW)
	CLEANOUT
	FLOOR / HUB DRAIN
	PUMP
	SHUT-OFF VALVE
	BALL VALVE
	CHECK VALVE
	MANUAL BALANCING VALVE
	UNION
	PRESSURE REDUCING VALVE
	STRAINER
	PIPE ANCHOR
	WALL HYDRANT
	PRESSURE GAUGE
	THERMOMETER
	DIRECTION OF FLOW



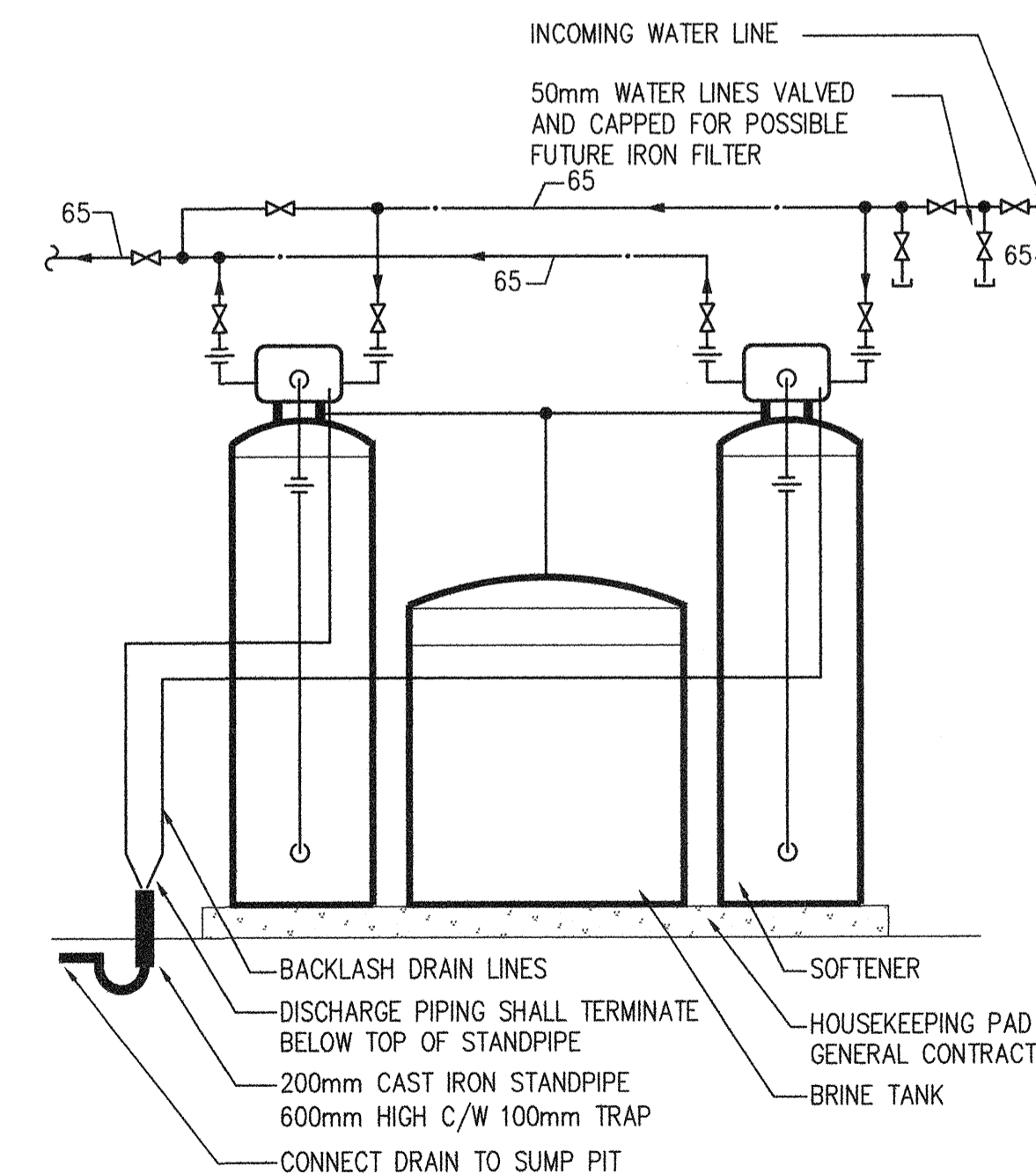
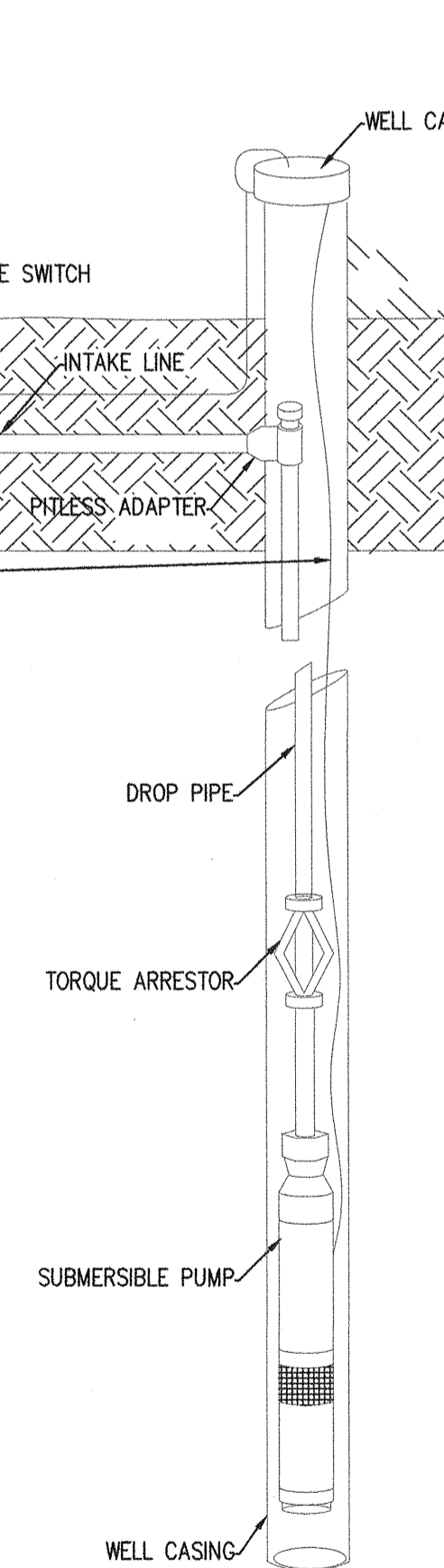
MAIN FLOOR PLAN - PLUMBING
SCALE: 1:50



WELL PUMP DETAIL
N.T.S.



ELECTRIC HOT WATER HEATER DETAIL
N.T.S.



WATER SOFTENING EQUIPMENT DETAIL
N.T.S.

ISSUED FOR CONSTRUCTION

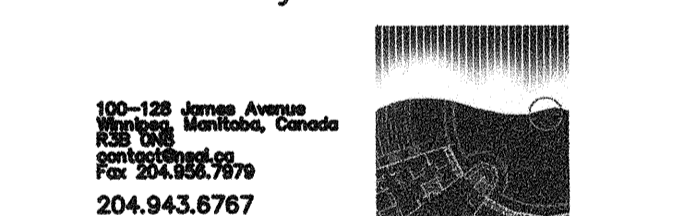
NOVA 3 ENGINEERING LTD.
CONSULTING ENGINEERS
201-120 FORT STREET TEL: (204) 943-6142
WINNIPEG, MANITOBA R3C 1C7 FAX: (204) 942-1276
WWW.NOVA3.CA JNL: 36-232
THIS DRAWING IS THE EXCLUSIVE PROPERTY OF NOVA 3 ENGINEERING LTD. AND MAY ONLY BE REPRODUCED WITH THE WRITTEN PERMISSION OF NOVA 3 ENGINEERING LTD.
THE CONCEPT AND DESIGN INCORPORATED INTO THIS DRAWING ARE BASED ON INFORMATION PROVIDED BY THE CLIENT AND OTHER RELATED SOURCES. PROFESSIONAL ENGINEER ACCEPTS NO RESPONSIBILITY FOR DRAWING AND DESIGN UNLESS DRAWING IS ACCOMPANIED BY ORIGINAL SEALED LETTERS OF INTENT OR EQUIVALENT ACCEPTABLE FACSIMILE. PROFESSIONAL ENGINEER ACCEPTS NO RESPONSIBILITY FOR FINAL INSTALLATION CONFORMANCE WITHOUT ORIGINAL SEALED CERTIFICATE OF INSPECTION OR EQUIVALENT ACCEPTABLE FACSIMILE.



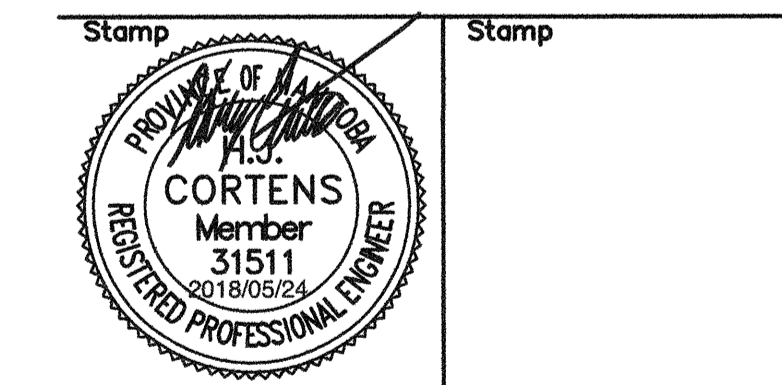
Revisions

May 17, 2018 Issued for Construction
Date Revision

Northern Sky Architecture Inc.



APEGM
Certificate of Authorization
Nova 3 Engineering Ltd.
No.962 Date: 2018/05/24



Project
New La Barriere Park Washroom Project
La Barriere Park, Manitoba

drawing title	MECHANICAL - MAIN FLOOR PLAN - PLUMBING		
scale	as noted	designed by	kbb
date	May, 2018	drawn by	hc
project no.	16.235	reviewed by	hc
bid opp. no.	436-2018	sheet	M1.0 REV.