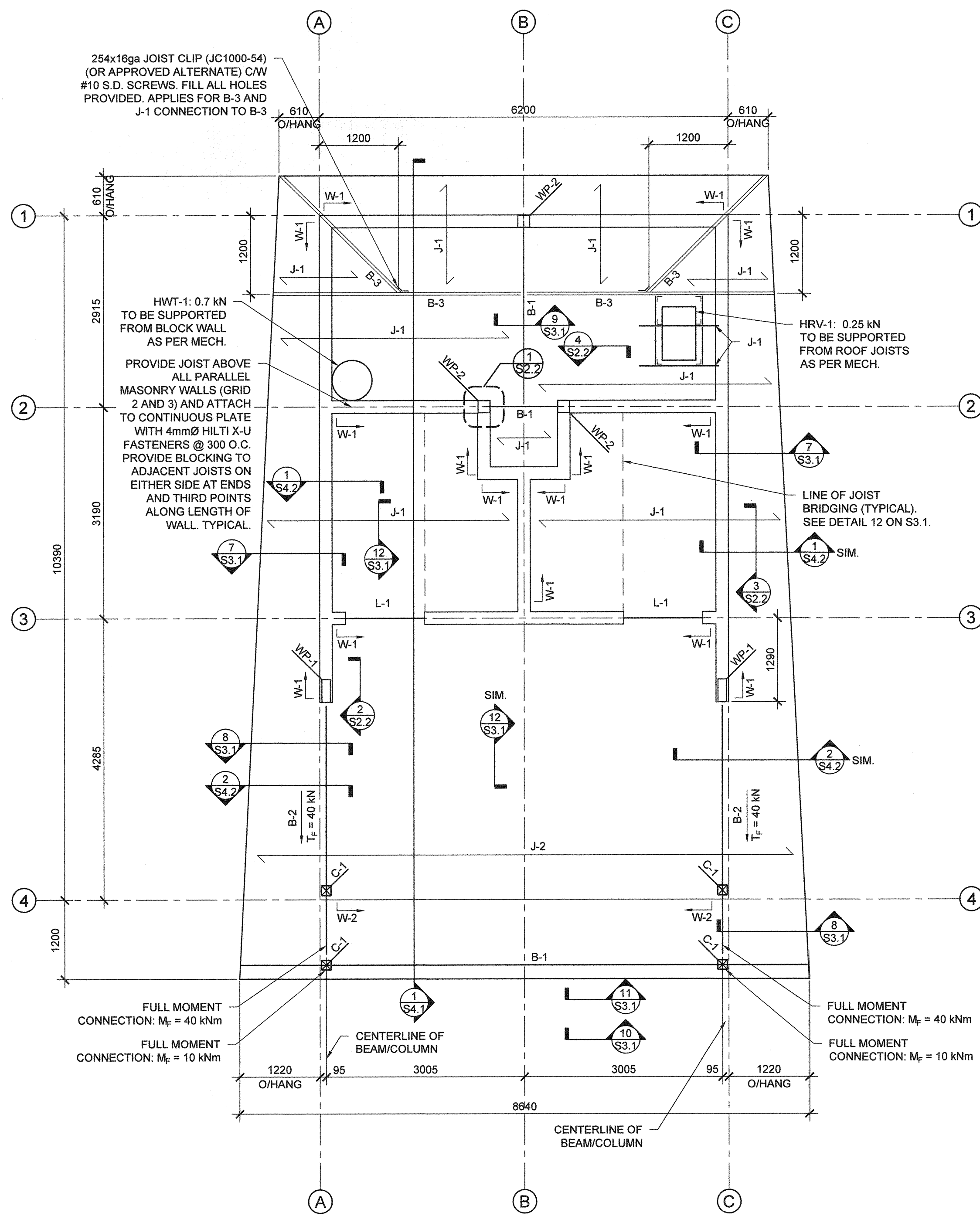


ALL DRAWINGS AND SPECIFICATIONS ARE THE PROPERTY OF THE CONSULTANT AND REPRODUCTIONS MAY BE MADE WITHOUT THE CONSENT OF THE CONSULTANT AND ALL REPRODUCTIONS MUST BEAR THE NAME OF THE CONSULTANT. THE CONTRACTOR SHALL VERIFY ALL DIMENSIONS, DATE AND LEVELS NOTED ON THE DRAWINGS WITH THE CONDITIONS ON SITE AND SHALL BE RESPONSIBLE FOR REPORTING ANY ERRORS OR OMISSIONS TO THE ENGINEER FOR ADJUSTMENTS. THIS DRAWING SHALL NOT BE SCALED.



WELD PLATE SCHEDULE	
MARK	DESCRIPTION
WP-1	350x180x13 WELD PLATE C/W 2-130x300 LONG NELSON STUDS
WP-2	180x180x13 WELD PLATE C/W 1-130x300 LONG NELSON STUD

JOIST SCHEDULE	
MARK	DESCRIPTION
J-1	254 x 51 x 16ga. STEEL JOISTS (1000S200-54) @ 600 O.C.
J-2	W250x18 @ 600 O.C. 38x140 PURLINS ATTACHED TO JOIST WITH #12-24 WOOD TO METAL S.D. SCREWS WITH WASHERS.

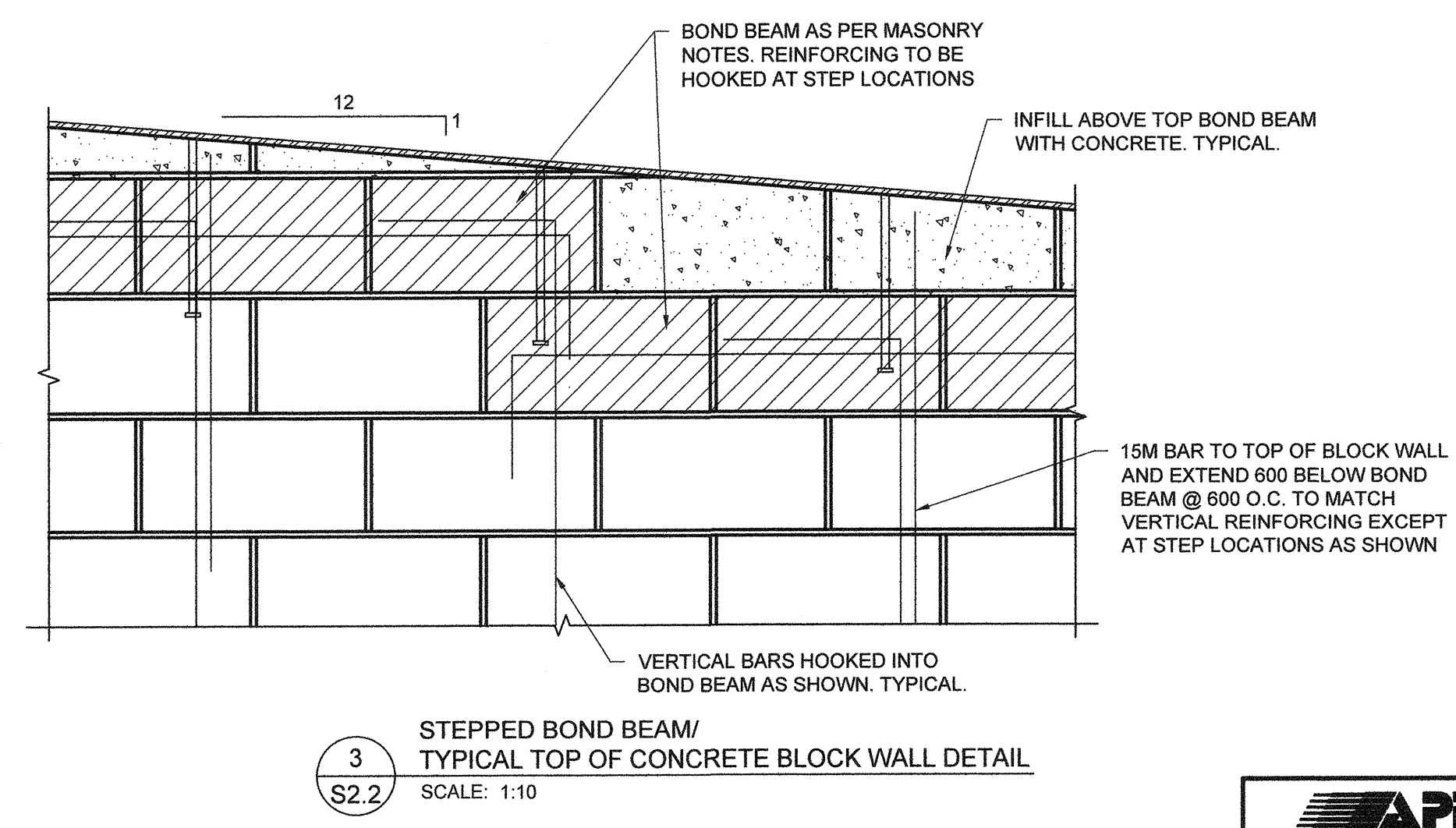
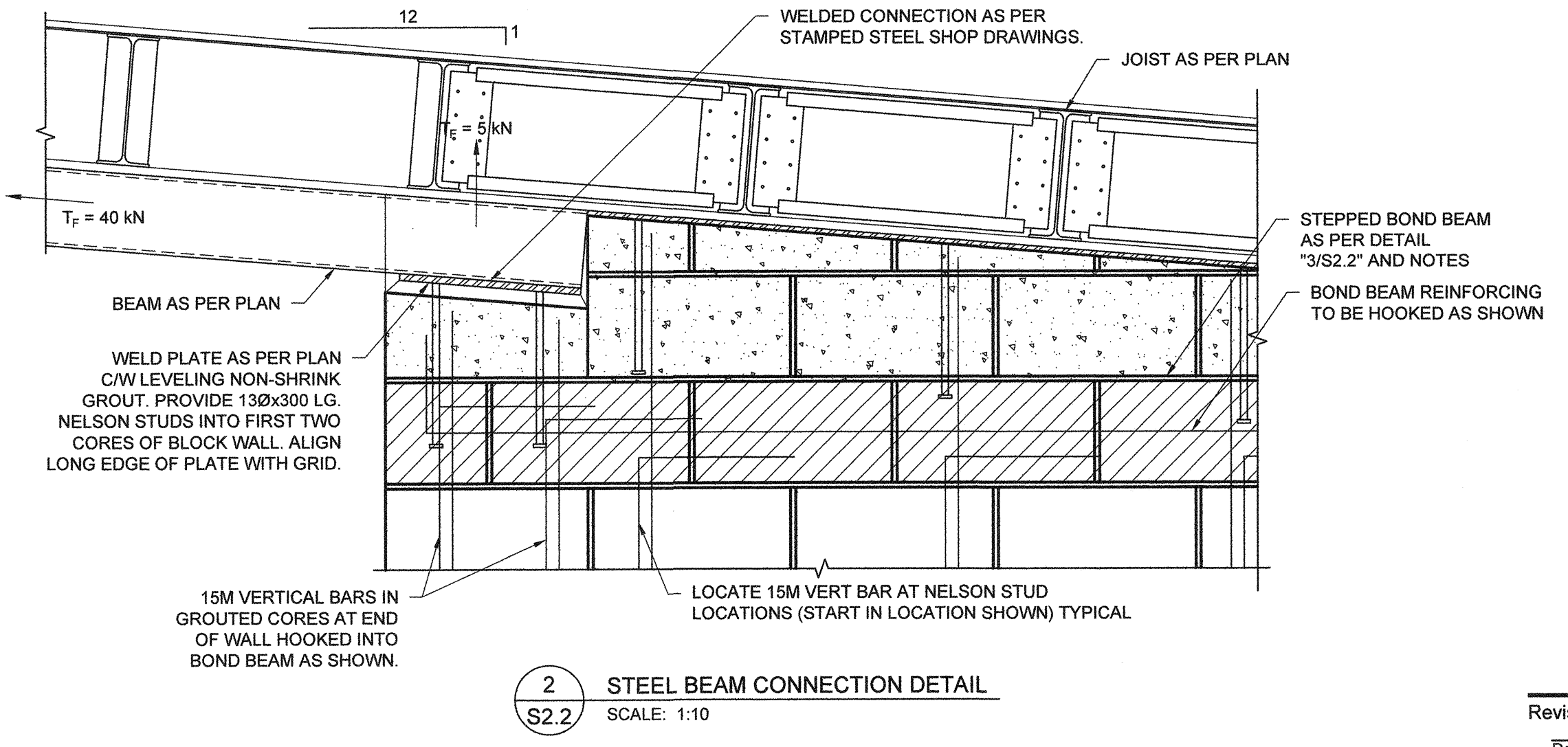
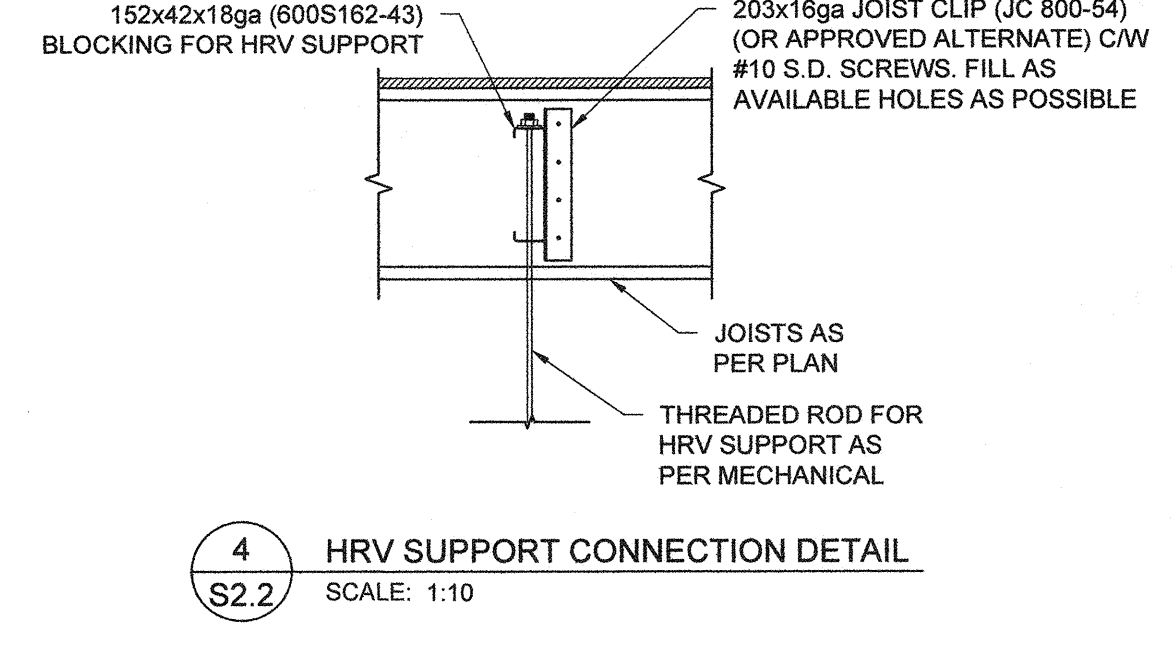
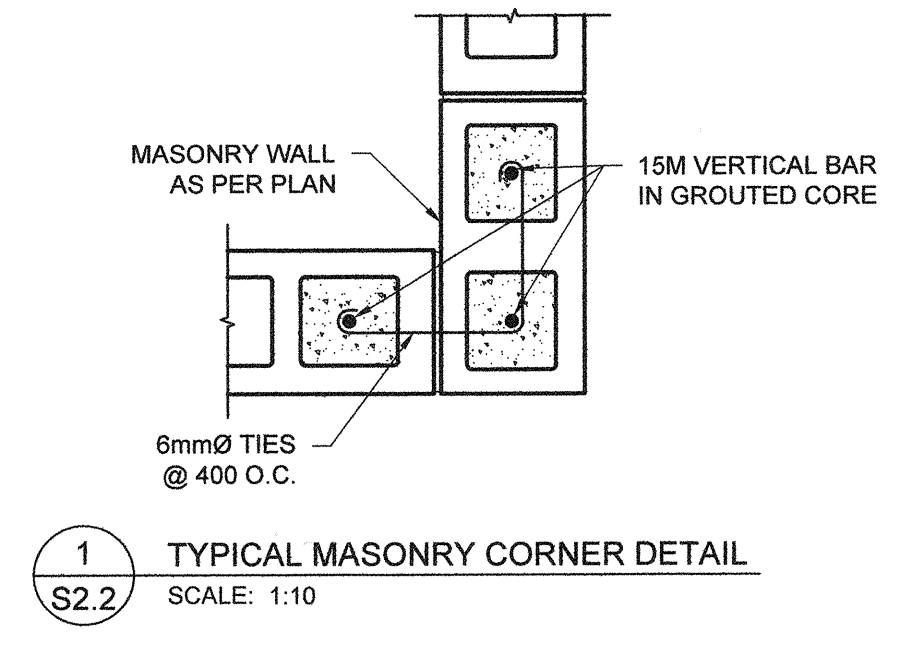
BEAM SCHEDULE	
MARK	DESCRIPTION
B-1	HSS 152x152x6.4
B-2	HSS 152x152x9.5
B-3	TWO PLY 254x51x16ga (1000S200-54). CONNECT PLYS WITH 3 - #6 S.D. SCREWS @ 600 O.C. MAX

WALL SCHEDULE	
MARK	DESCRIPTION
W-1	190 MASONRY BLOCK, 1-15M VERTICAL BAR IN EVERY THIRD CORE (600 O.C.), AT TWO END CORES, AND EACH SIDE OF OPENINGS WITH GROUTED CORES. REFER TO "1/32.2" FOR CORNER REINFORCING DETAILS.
W-2	203x42x18ga. STEEL STUDS (800S162-43) @ 400 O.C. 13 EXTERIOR PLYWOOD SHEATHING NOTE: INCREASE SLIGHTLY FOR ROUGH OPENING REQUIREMENTS. COORDINATE R.O. LOCATIONS AND STANDING SEAM LAYOUT WITH ARCH.

LINTEL SCHEDULE	
MARK	DESCRIPTION
L-1	190 WIDE CONCRETE FILLED MASONRY DOUBLE (2 COURSE) KNOCK-OUT BLOCK REINF: 1-15M BAR TOP AND BOTTOM OF BLOCK, 10M VERTICAL TIES @ 6" O.C. EXTEND REINF. MIN. 8" BEYOND EDGE OF LINTEL

COLUMN SCHEDULE	
MARK	DESCRIPTION
C-1	HSS 152x152x9.5

NOTES:
- ALL CAP AND BASE PLATES ARE TO BE 20 THICK U/I.
- PROVIDE 25 NON-SHRINK GROUT BELOW ALL BASEPLATES.
- PROVIDE 4-200x450 LONG A307 ANCHOR BOLTS C/W 75 HOOK FOR EACH COLUMN U/I.



ROOF FRAMING PLAN

SCALE: 1:50

PROJECT ACTUAL
ROOF LOADING:
 DEAD LOAD = 1.20 kPa
 LIVE LOAD = 1.72 kPa

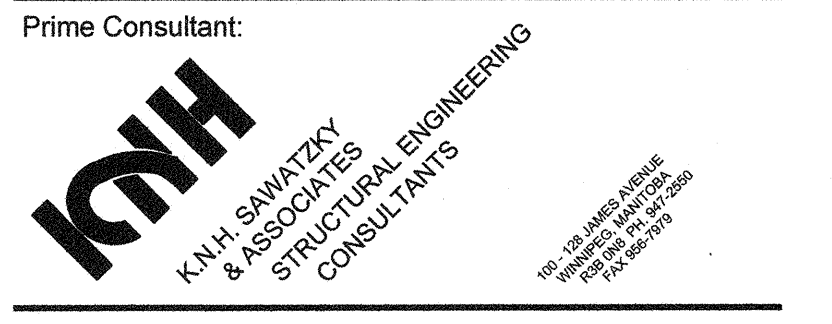
PLAN NOTES:
 - SEE PLANS, SECTIONS, DETAILS, AND ARCH. DRAWINGS FOR T.O. STEEL ELEV.
 - GRIDS ARE FACE OR CENTER OF BLOCK/GRADE BEAMS TYPICAL U/I
 - CONFIRM OPENING LOCATIONS IN ROOF SHEATHING WITH ARCHITECTURAL AND MECHANICAL DRAWINGS.
 - CONFIRM WEIGHT, SIZE, AND LOCATION OF ALL MECHANICAL AND ELECTRICAL UNITS BEING SUPPORTED ON OR HUNG FROM ROOF JOISTS WITH MECHANICAL AND ELECTRICAL DRAWINGS.
 - COORDINATE ALL MISCELLANEOUS STEEL WITH ARCHITECTURAL DRAWINGS.

COORDINATE CORE-FILLING WITH ELECTRICAL BEFORE CONCRETE INSTALLATION OF MASONRY WALLS

FOR STEEL DETAILS, SEE DETAILS 10-12 ON S3.1, 1 ON S4.1, AND 3 ON S4.2

Revisions

Date	Revision



Northern Sky Architecture Inc.
 100 - 128 James Avenue
 Winnipeg, Manitoba, Canada
 R3B 0M1
 info@theskysky.com
 Fax: 204.952.7977
 204.943.6767

Stamp
 PROVINCE OF MANITOBA
 May 31, 2018
 Registered Professional Engineer
 Member 30986

Stamp
 - STRUCTURAL ONLY
 - CONTACT ENGINEER AT (204)847-2550 WHEN INSPECTIONS ARE REQUIRED

Project
New La Barriere Park Washroom Project
 La Barriere Park, Manitoba

drawing title **ROOF FRAMING PLAN**

scale	as noted	designed by	mi
date	May 2018	drawn by	cb
project no.	16.235	approved by	mi
bid opp. no.	436-2018	sheet	S2.2

APEGM
 Certificate of Authorization
 KNH Sawatzky & Associates Ltd.
 No. 1193 Date: May 31, 2018