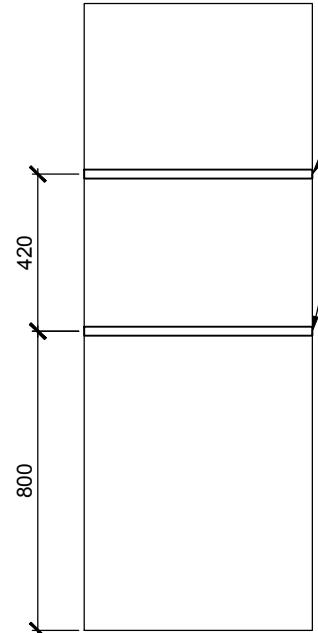


EP-1

1 ELEVATION - EP-1
A601 SCALE 1:20



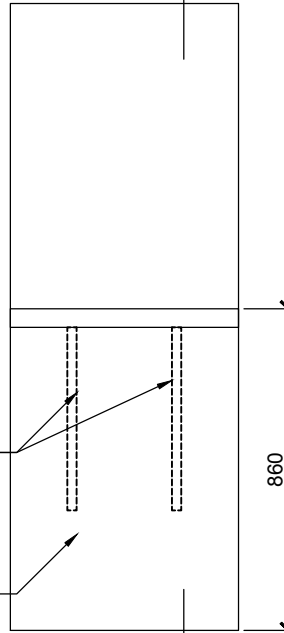
EP-2

2 ELEVATION - EP-E
A601 SCALE 1:20

SLAT WALL
ALUM. INSERT
-FLUSH WITH
PANEL.

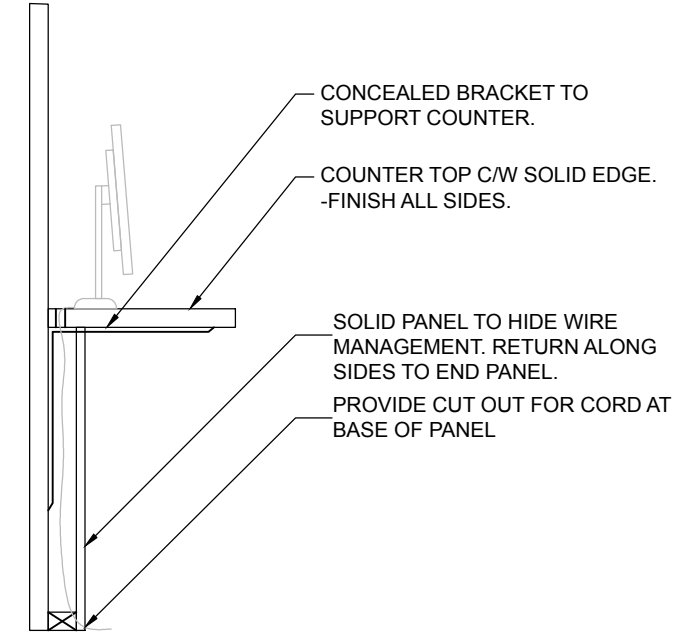
CONCEALED
BRACKET BEHIND
END PANEL

SOLID PANEL



EP-3

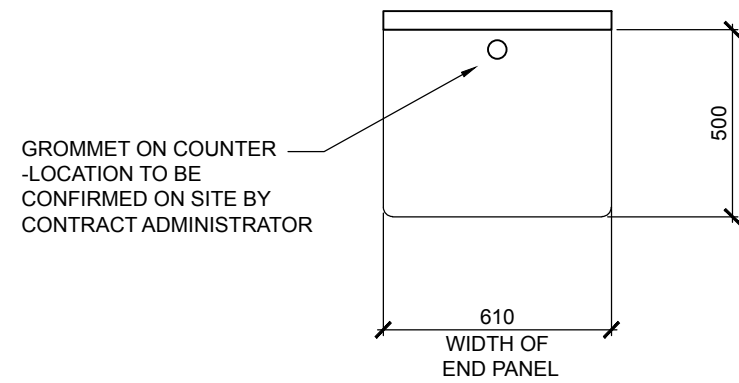
3 ELEVATION - EP-3
A601 SCALE 1:20



EP-4

4 SECTION - EP-3
A601 SCALE 1:20

5 ELEVATION - EP-4
A601 SCALE 1:20



6 PLAN - EP-3
A601 SCALE 1:20