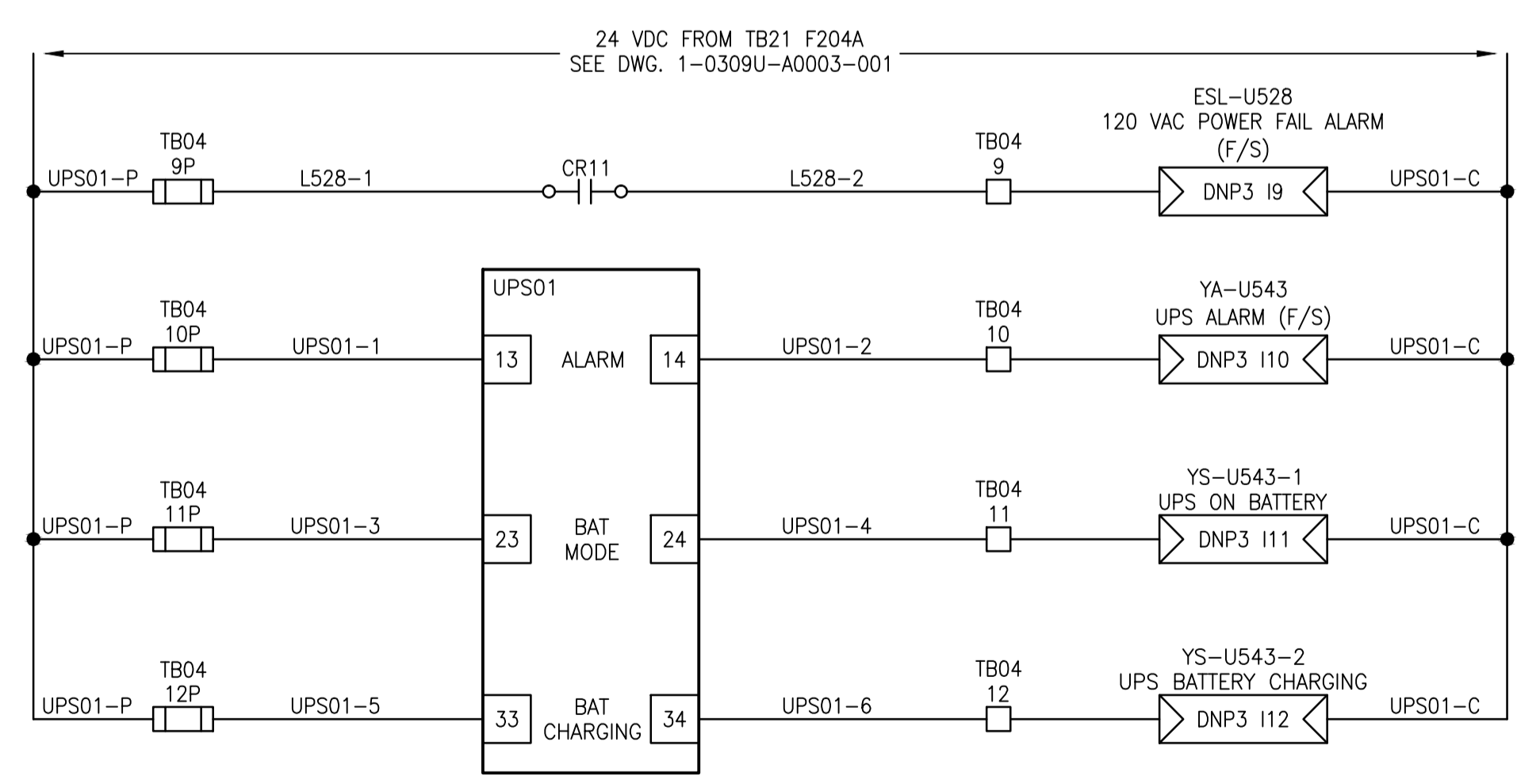
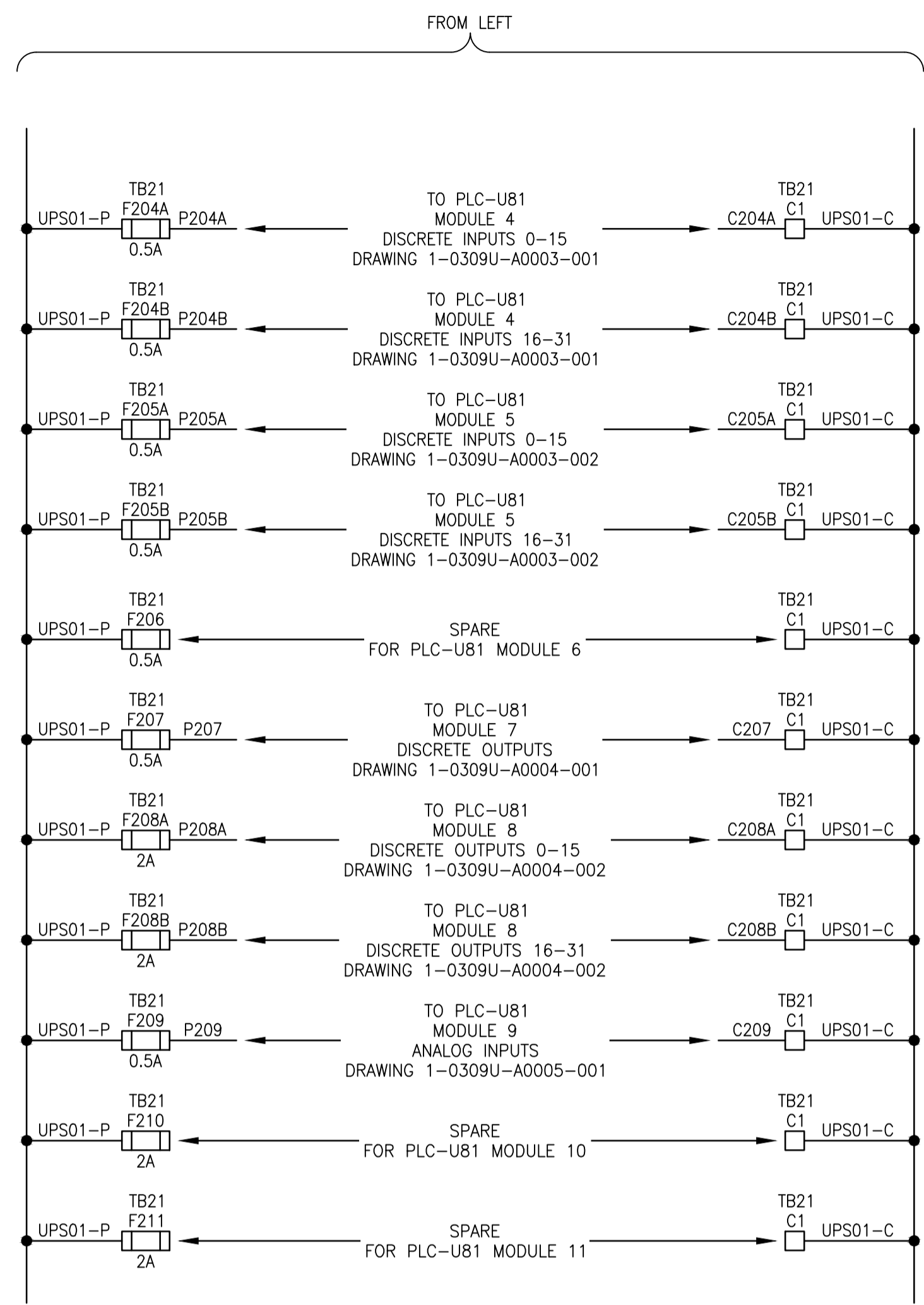
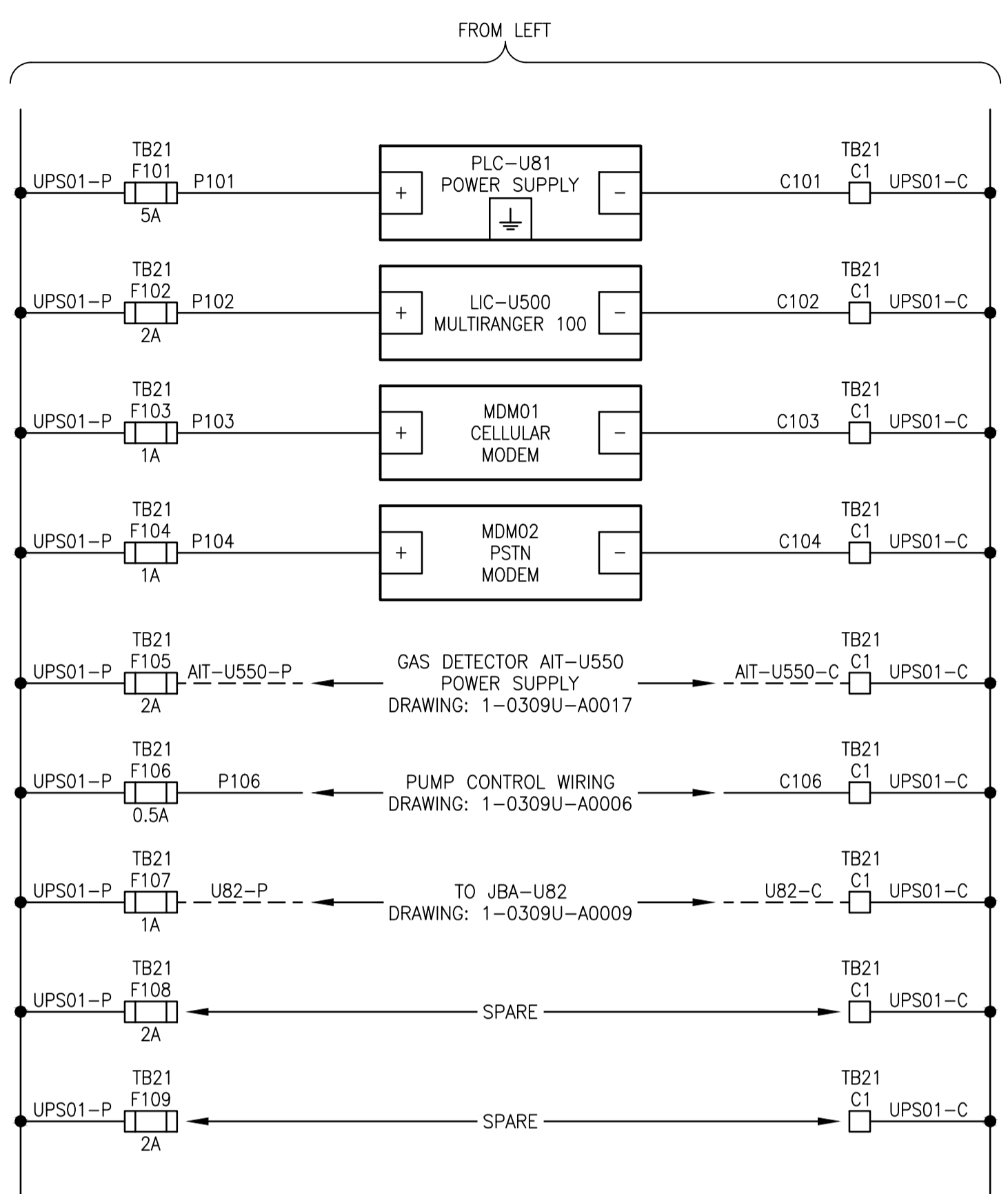
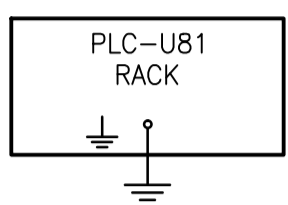
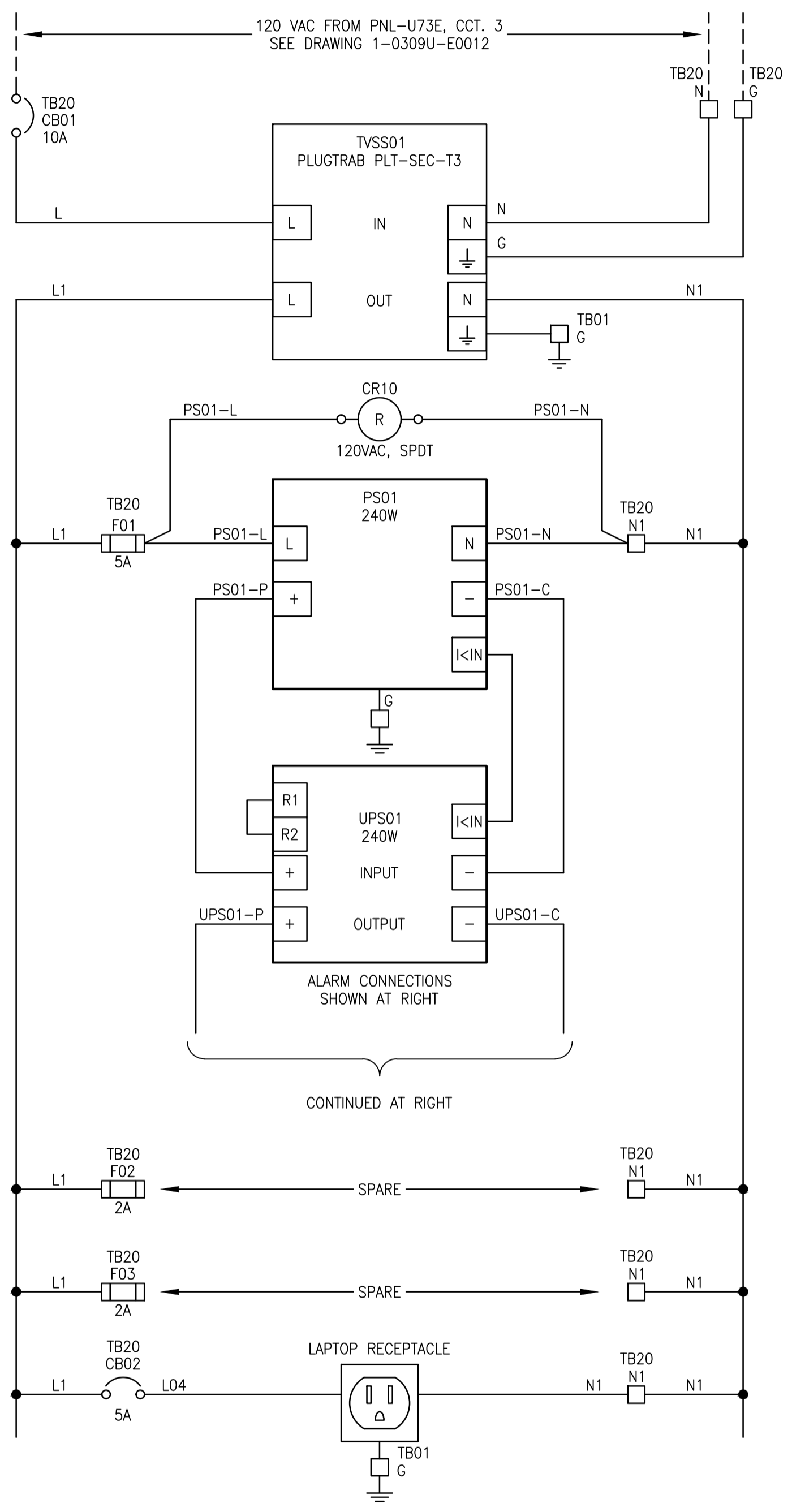


A1 SIZE - 594mm x 841mm

**SCHEMATIC:**



LAST SAVE: 2018/05/09 - 10:35am  
PATH: M:\48185\ENGY481C\DD - General DWG\1-0309U-A0002-001-00.dwg

DRAWING NUMBER	REFERENCE DRAWINGS
----------------	--------------------



DESIGNED BY:	T. CHURCH	CHECKED BY:	B. CLEVEN
DRAWN BY:	S. HAILU	APPROVED BY:	B. CLEVEN
SCALE:	NTS	ISSUED FOR CONSTRUCTION BY:	
DATE:	2018/02/01	DATE:	
CONSULTANT NO.:			

**SNC-LAVALIN INC.**  
148 Nature Park Way  
Winnipeg, MB, Canada R3P 0X7  
204-786-8080

ENGINEER'S SEAL

**PRELIMINARY  
NOT TO BE  
USED FOR  
CONSTRUCTION**

**THE CITY OF WINNIPEG**  
WATER AND WASTE DEPARTMENT

METRO ROUTE 20 UNDERPASS PUMPING STATION  
2018 UPGRADES  
POWER DISTRIBUTION  
CONTROL PANEL CP-U81

CITY DRAWING NUMBER	SHEET	REV.	SIZE
1-0309U-A0002	001	00	A1