
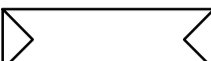
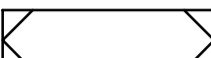

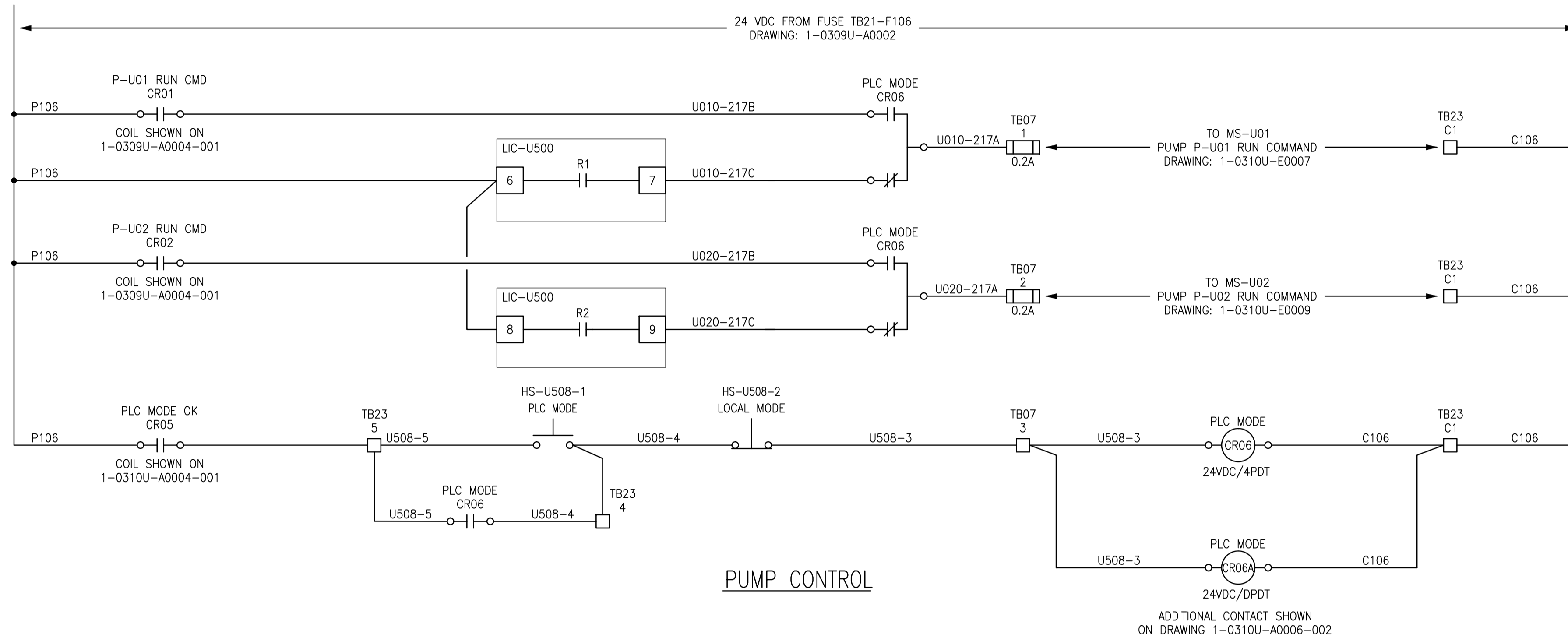
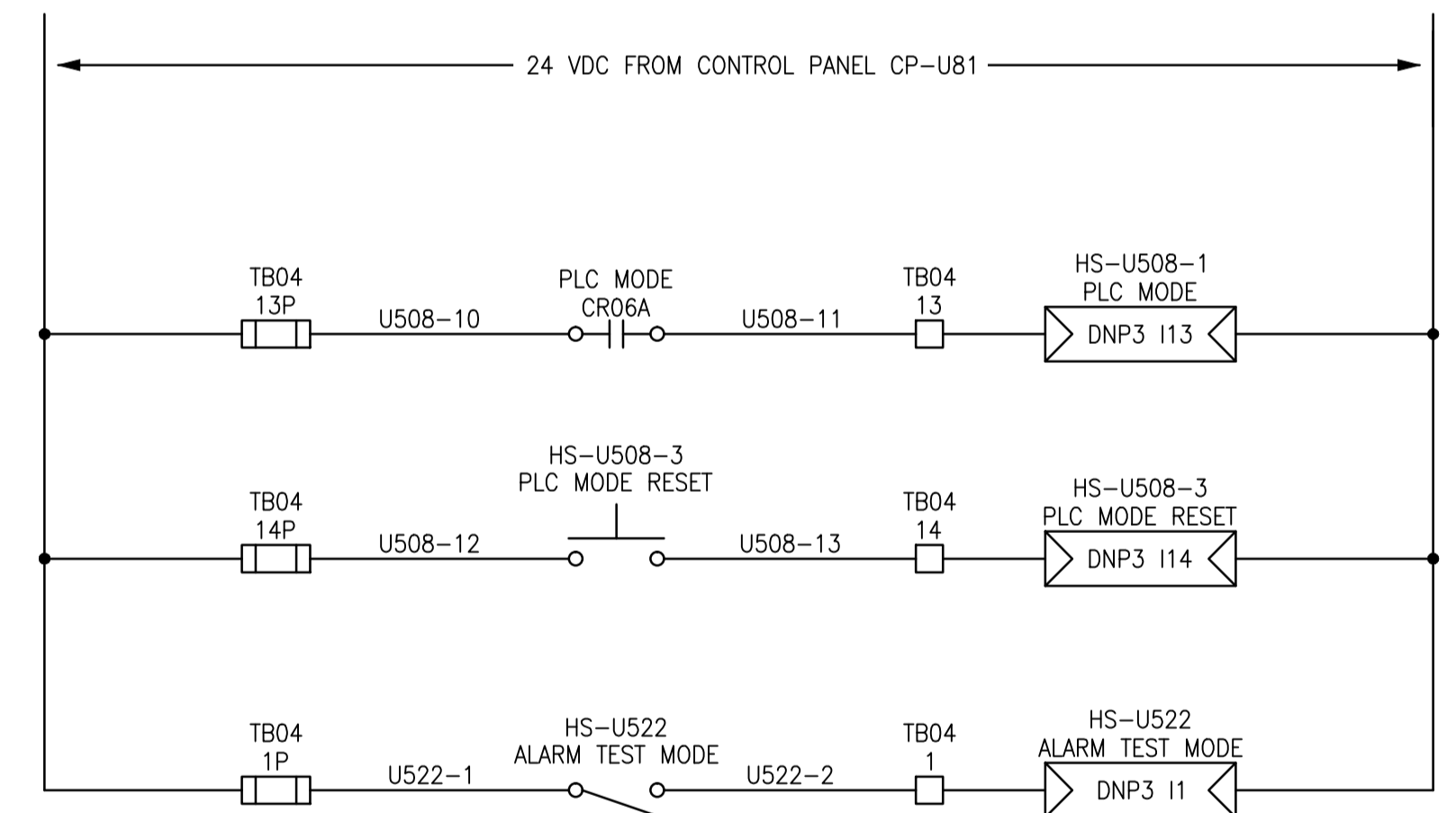


LEGEND:

-  TERMINAL IN CONTROL PANEL CP-U81
-  RTU INPUT
-  RTU OUTPUT
-  RELAY COIL



PUMP CONTROL



DRAWING NUMBER	REFERENCE DRAWINGS
----------------	--------------------



DESIGNED BY: S. HAILU	CHECKED BY: B. CLEVEN
DRAWN BY: S. HAILU	APPROVED BY: B. CLEVEN
SCALE: NTS	ISSUED FOR CONSTRUCTION BY:
DATE: 2018/02/05	DATE:
CONSULTANT NO.:	

**SNC-LAVALIN INC.**  
 148 Nature Park Way  
 Winnipeg, MB, Canada R3P 0X7  
 204-786-8080

ENGINEER'S SEAL

**PRELIMINARY  
 NOT TO BE  
 USED FOR  
 CONSTRUCTION**

**THE CITY OF WINNIPEG**  
 WATER AND WASTE DEPARTMENT

METRO ROUTE 20 UNDERPASS PUMPING STATION  
 2018 UPGRADES  
 WIRING DIAGRAM  
 CONTROL PANEL CP-U81  
 MISCELLANEOUS WIRING

CITY DRAWING NUMBER  
**1-0309U-A0006**

SHEET **001** REV. **00** SIZE **A1**