
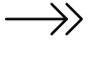

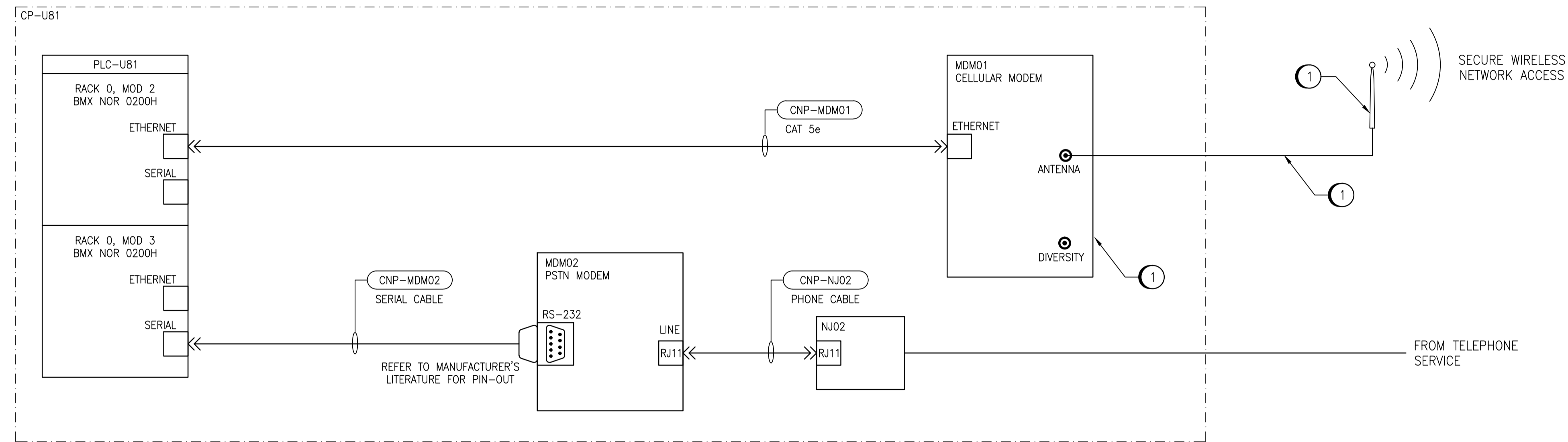


- LEGEND:**
-  RJ45 PORT
  -  RJ45 OR RJ11 CONNECTOR
  -  D-SUB 9-PIN CONNECTOR




NETWORK DIAGRAM

**SPECIFIC NOTES**

- ① CELLULAR MODEM, ANTENNA, AND COAXIAL CABLE ARE SUPPLIED BY THE CITY OF WINNIPEG.




NO.	REVISIONS	DATE	DESIGN	CHECK
00	ISSUED FOR TENDER, BID OPP. 475-2018	2018/05/09	TC	BC

 SNC-LAVALIN INC. 148 Nature Park Way Winnipeg, MB, Canada R3P 0X7 204-786-8080	
DESIGNED BY: S. HAILU	CHECKED BY: B. CLEVEN
DRAWN BY: S. HAILU	APPROVED BY: B. CLEVEN
SCALE: NTS	ISSUED FOR CONSTRUCTION BY: DATE:
DATE: 2018/02/05	DATE:
CONSULTANT NO.:	

ENGINEER'S SEAL

**PRELIMINARY  
NOT TO BE  
USED FOR  
CONSTRUCTION**

 **THE CITY OF WINNIPEG**  
 WATER AND WASTE DEPARTMENT

METRO ROUTE 20 UNDERPASS PUMPING STATION  
 2018 UPGRADES  
 WIRING DIAGRAM  
 CONTROL PANEL CP-U81  
 NETWORK WIRING

CITY DRAWING NUMBER	SHEET	REV.	SIZE
1-0309U-A0007	001	00	A1

DRAWING NUMBER	REFERENCE DRAWINGS
----------------	--------------------