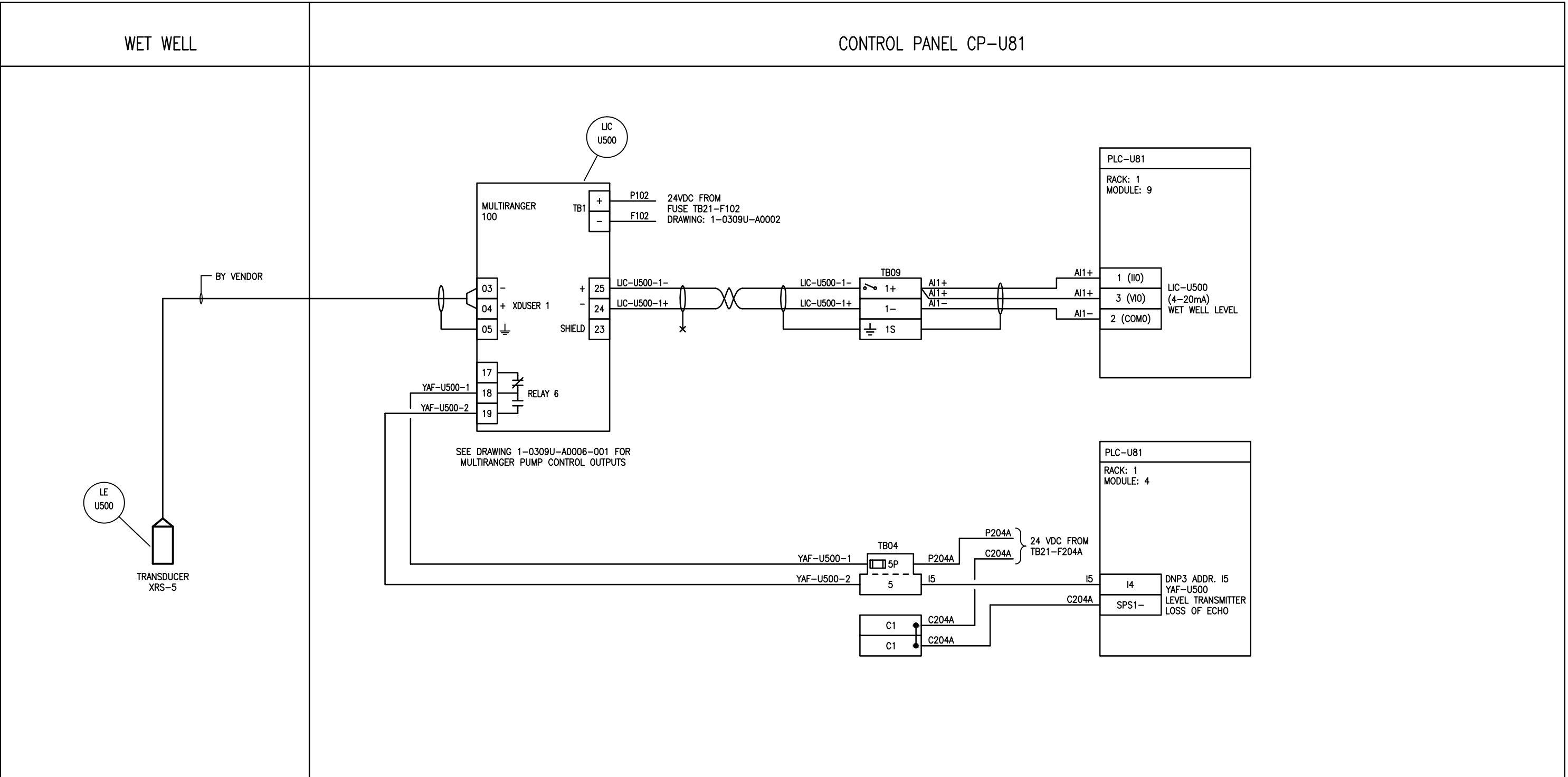


LAST SAVE: 2018/05/09 - 10:38am
 PATH: M:\648185\4ENG\48IC\DD - General DWG\1-0309U-A0008-001-00.dwg
 B SIZE - 279mm x 432mm



SNC-LAVALIN INC.
 148 Nature Park Way
 Winnipeg, MB, Canada R3P 0X7
 204-786-8080

ENGINEER'S SEAL

**PRELIMINARY
NOT TO BE
USED FOR
CONSTRUCTION**

THE CITY OF WINNIPEG
 WATER AND WASTE DEPARTMENT

METRO ROUTE 20 UNDERPASS PUMPING STATION
 2018 UPGRADES
 LOOP DIAGRAM
 WET WELL LEVEL TRANSMITTER
 LIC-U500, YAF-U500

NO.	REVISIONS	DATE	DESIGN	CHECK
00	ISSUED FOR TENDER, BID OPP. 475-2018	2018/05/09	TC	BC

DESIGNED BY: T. CHURCH
 CHECKED BY: B. CLEVEN
 DRAWN BY: S. HAILU
 APPROVED BY: B. CLEVEN
 SCALE: NTS
 DATE: 2018/04/10
 ISSUED FOR CONSTRUCTION
 BY: DATE:
 CONSULTANT NO.:

CITY DRAWING NUMBER	SHEET	REV.	SIZE
1-0309U-A0008	001	00	B