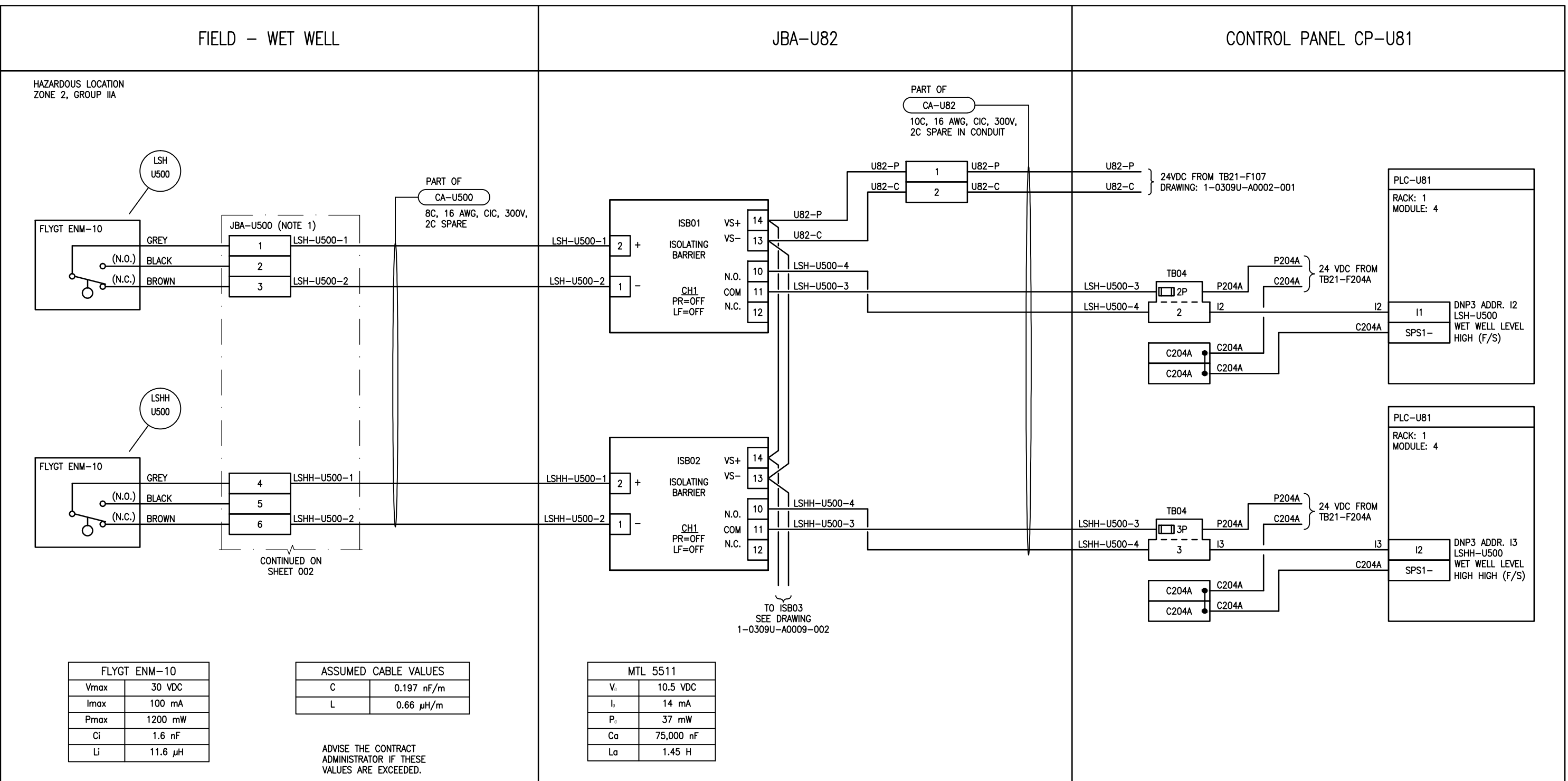


LAST SAVE: 2018/05/09 - 10:38am
 PATH: M:\648185\4ENG\48IC\DD - General DWG\1-0309U-A0009-001-00.dwg
 B SIZE - 279mm x 432mm



NOTES

1. PROVIDE AND INSTALL NEW NEMA TYPE 4X JUNCTION BOX WITH TERMINALS AND IDENTIFICATION LAMACOID.

APECM
Certificate of Authorization
SNC-Lavalin Inc.
No. 4489

		SNC-LAVALIN INC. 148 Nature Park Way Winnipeg, MB, Canada R3P 0X7 204-786-8080	
		DESIGNED BY: T. CHURCH	CHECKED BY: B. CLEVEN
DRAWN BY: Y. KONIG		APPROVED BY: B. CLEVEN	
SCALE: NTS		DATE: 2018/04/10	
ISSUED FOR CONSTRUCTION		DATE:	
BY:		DATE:	
CONSULTANT NO.:			
00	ISSUED FOR TENDER, BID OPP. 475-2018	2018/05/09	TC BC
NO.	REVISIONS	DATE	DESIGN CHECK

ENGINEER'S SEAL

**PRELIMINARY
NOT TO BE
USED FOR
CONSTRUCTION**

THE CITY OF WINNIPEG
 WATER AND WASTE DEPARTMENT

METRO ROUTE 20 UNDERPASS PUMPING STATION
 2018 UPGRADES
 LOOP DIAGRAM
 WET WELL LEVEL SWITCHES
 LSH-U500, LSHH-U500, LSLU-U500

CITY DRAWING NUMBER	SHEET	REV.	SIZE
1-0309U-A0009	001	00	B