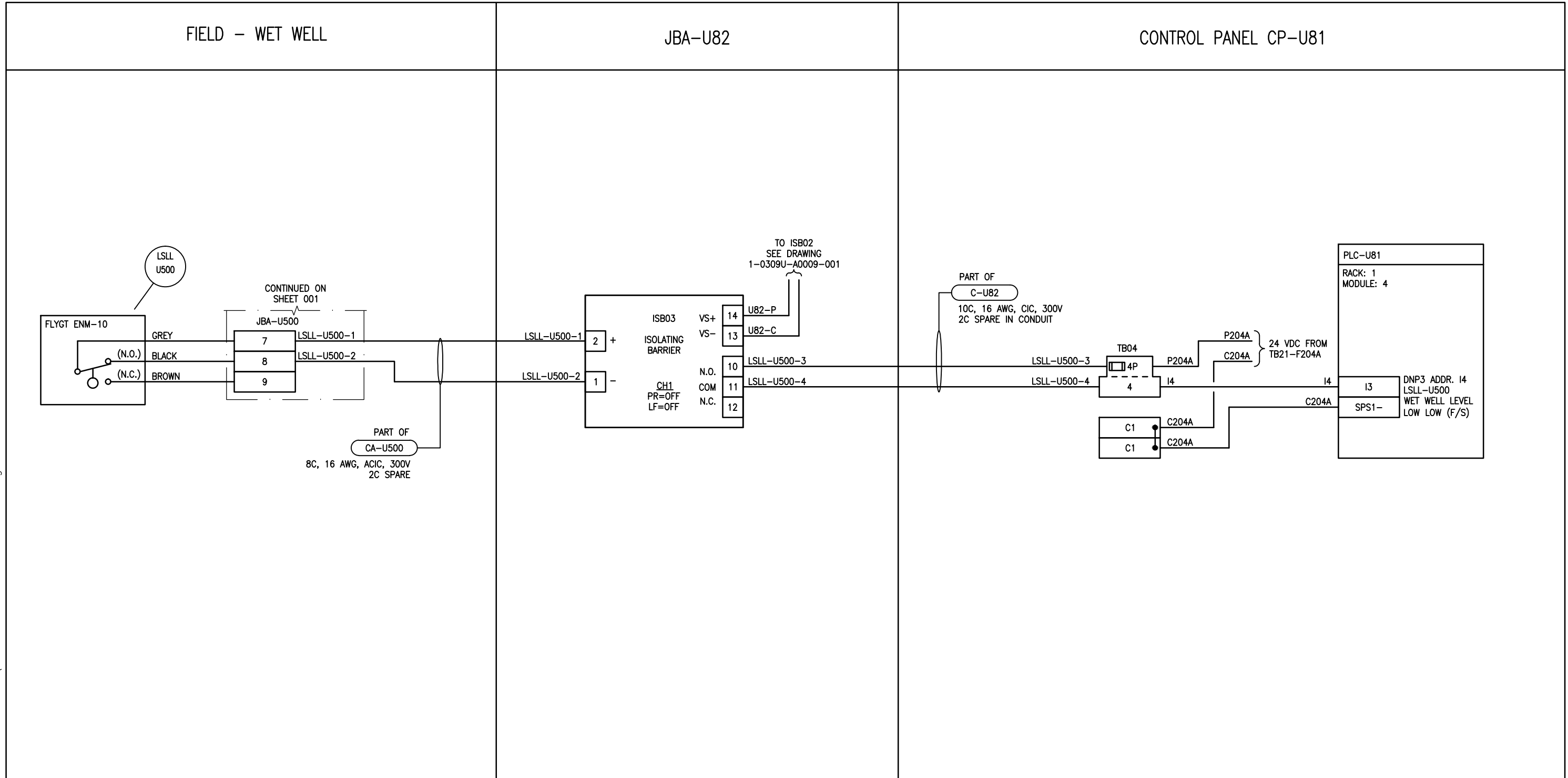


B SIZE - 279mm x 432mm

LAST SAVE: 2018/05/09 - 10:38am  
 PATH: M:\648185\4ENG\48IC\DD - General DWG\1-0309U-A0009-002-00.dwg



**SNC-LAVALIN INC.**  
 148 Nature Park Way  
 Winnipeg, MB, Canada R3P 0X7  
 204-786-8080

ENGINEER'S SEAL

**PRELIMINARY  
 NOT TO BE  
 USED FOR  
 CONSTRUCTION**



**THE CITY OF WINNIPEG**  
 WATER AND WASTE DEPARTMENT

METRO ROUTE 20 UNDERPASS PUMPING STATION  
 2018 UPGRADES  
 LOOP DIAGRAM  
 WET WELL LEVEL SWITCHES  
 LSH-U500, LSHH-U500, LSSL-U500



00	ISSUED FOR TENDER, BID OPP. 475-2018	2018/05/09	TC	BC
NO.	REVISIONS	DATE	DESIGN	CHECK

DESIGNED BY: T. CHURCH	CHECKED BY: B. CLEVEN
DRAWN BY: Y. KONIG	APPROVED BY: B. CLEVEN
SCALE: NTS	DATE: 2018/04/10
ISSUED FOR CONSTRUCTION BY: _____ DATE: _____	
CONSULTANT NO.:	

CITY DRAWING NUMBER 1-0309U-A0009	SHEET 002	REV. 00	SIZE B
--------------------------------------	--------------	------------	-----------