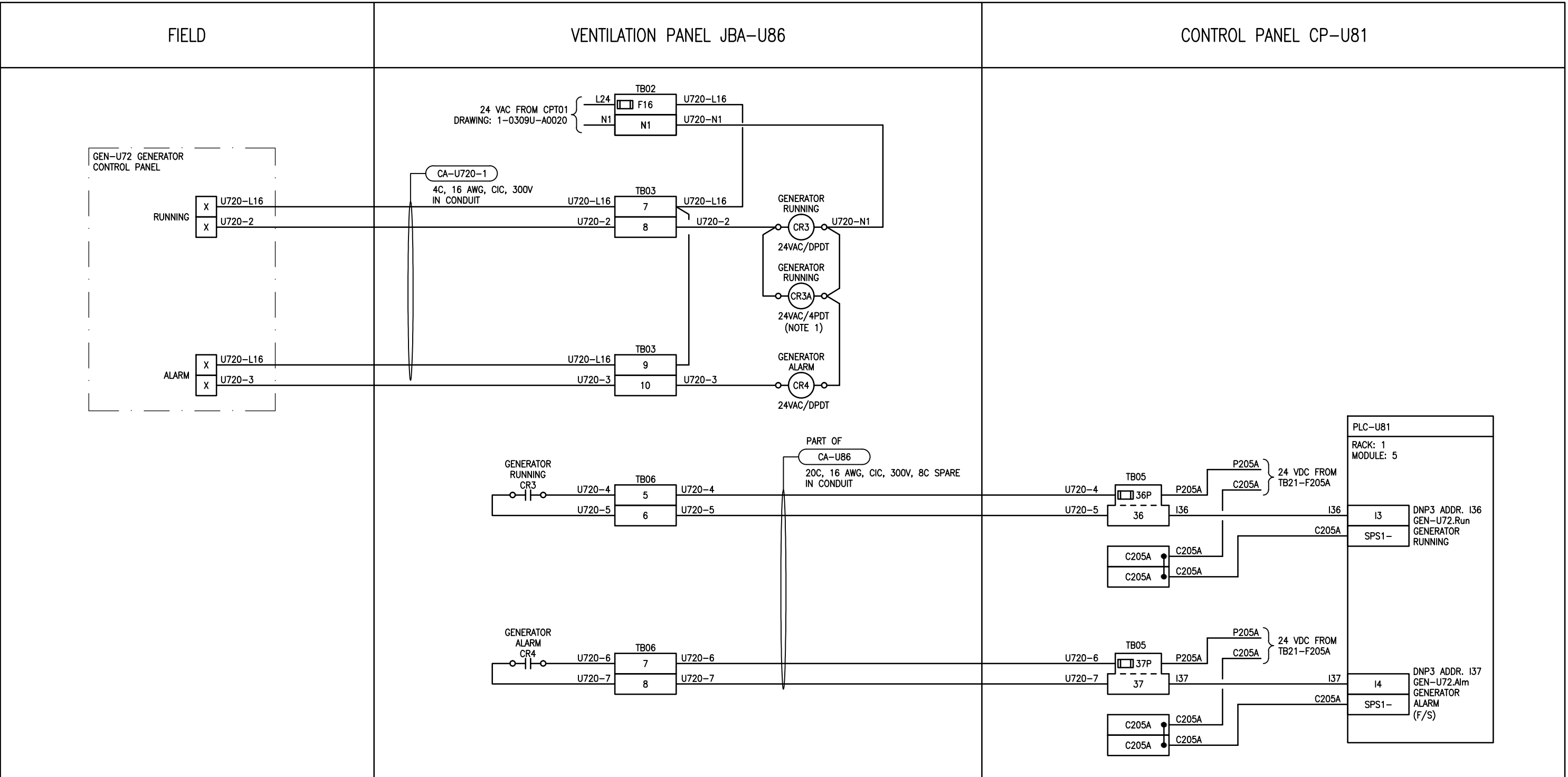


LAST SAVE: 2018/05/09 - 10:39am  
 PATH: M:\648185\4ENG\48IC\DD - General DWG\1-0309U-A0013-001-00.dwg  
 B SIZE - 279mm x 432mm



**NOTES**  
 1. SEE DRAWING 1-0309U-A0027 AND 1-0309U-A0028 FOR CONNECTIONS TO CR3A CONTACTS.



**SNC-LAVALIN**  
 SNC-LAVALIN INC.  
 148 Nature Park Way  
 Winnipeg, MB, Canada R3P 0X7  
 204-786-8080

DESIGNED BY:	T. CHURCH	CHECKED BY:	B. CLEVEN
DRAWN BY:	Y. KONIG	APPROVED BY:	B. CLEVEN
SCALE:	NTS	DATE:	2018/04/10
ISSUED FOR CONSTRUCTION	DATE:		
BY:	DATE:		
CONSULTANT NO.:			
00	ISSUED FOR TENDER, BID OPP. 475-2018	2018/05/09	TC BC
NO.	REVISIONS	DATE	DESIGN CHECK

ENGINEER'S SEAL  
**PRELIMINARY  
 NOT TO BE  
 USED FOR  
 CONSTRUCTION**

**THE CITY OF WINNIPEG**  
 WATER AND WASTE DEPARTMENT

METRO ROUTE 20 UNDERPASS PUMPING STATION  
 2018 UPGRADES  
 LOOP DIAGRAM  
 GENERATOR GEN-U72 RUNNING AND ALARM STATUS

CITY DRAWING NUMBER	SHEET	REV.	SIZE
1-0309U-A0013	001	00	B