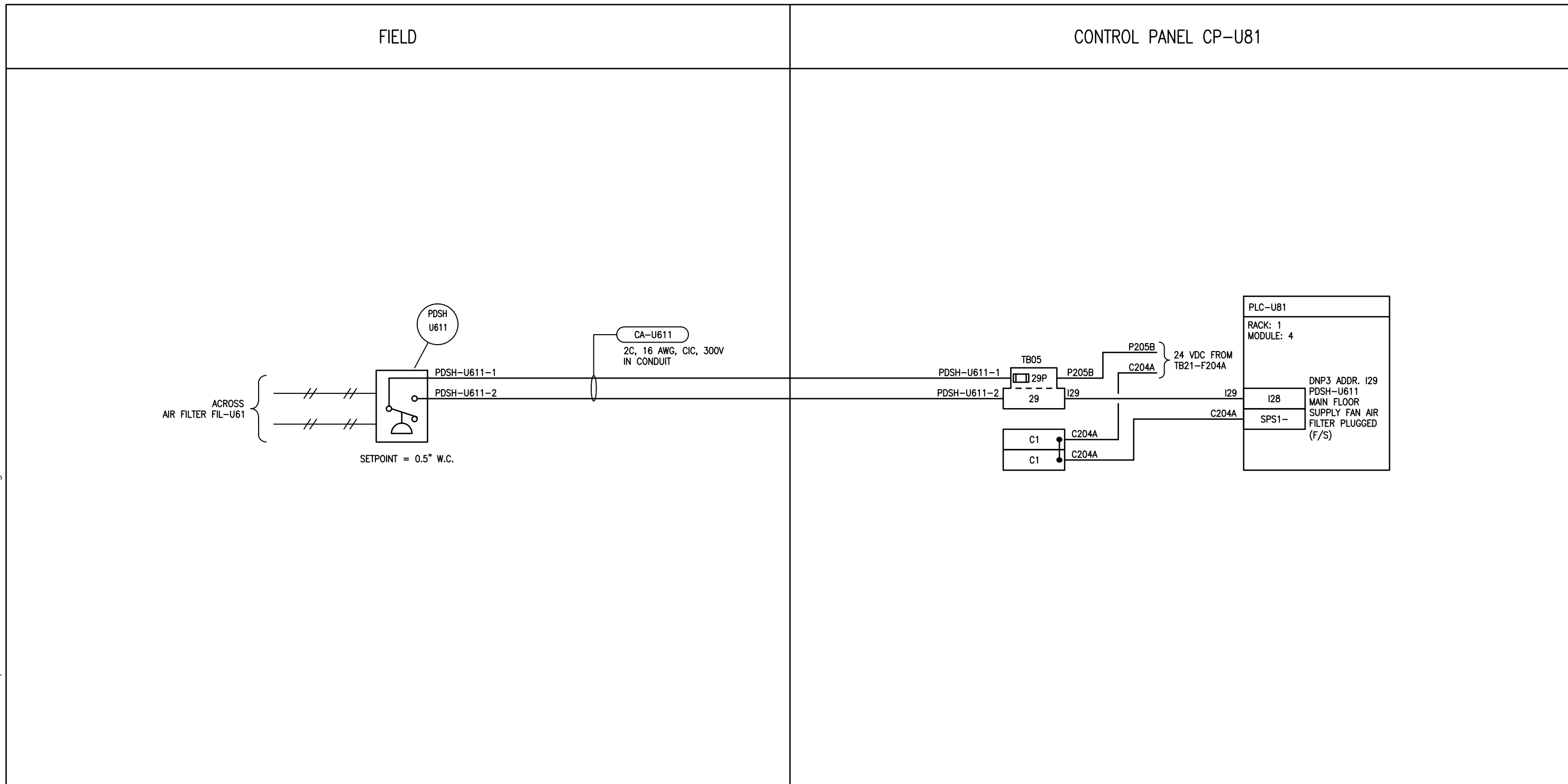


B SIZE - 279mm x 432mm

LAST SAVE: 2018/05/09 - 10:40am
 PATH: M:\648185\4ENG\48IC\DD - General DWG\1-0309U-A0014-001-00.dwg



SNC-LAVALIN
 SNC-LAVALIN INC.
 148 Nature Park Way
 Winnipeg, MB, Canada R3P 0X7
 204-786-8080

ENGINEER'S SEAL
**PRELIMINARY
 NOT TO BE
 USED FOR
 CONSTRUCTION**

THE CITY OF WINNIPEG
 WATER AND WASTE DEPARTMENT

METRO ROUTE 20 UNDERPASS PUMPING STATION
 2018 UPGRADES
 LOOP DIAGRAM
 MAIN FLOOR SUPPLY FAN AIR FILTER PLUGGED SWITCH
 PDSH-U611

DESIGNED BY:	T. CHURCH	CHECKED BY:	B. CLEVEN
DRAWN BY:	Y. KONIG	APPROVED BY:	B. CLEVEN
SCALE:	NTS	DATE:	2018/04/10
ISSUED FOR CONSTRUCTION			
BY:			
DATE:			
CONSULTANT NO.:			

CITY DRAWING NUMBER	SHEET	REV.	SIZE
1-0309U-A0014	001	00	B

00	ISSUED FOR TENDER, BID OPP. 475-2018	2018/05/09	TC	BC
NO.	REVISIONS	DATE	DESIGN	CHECK