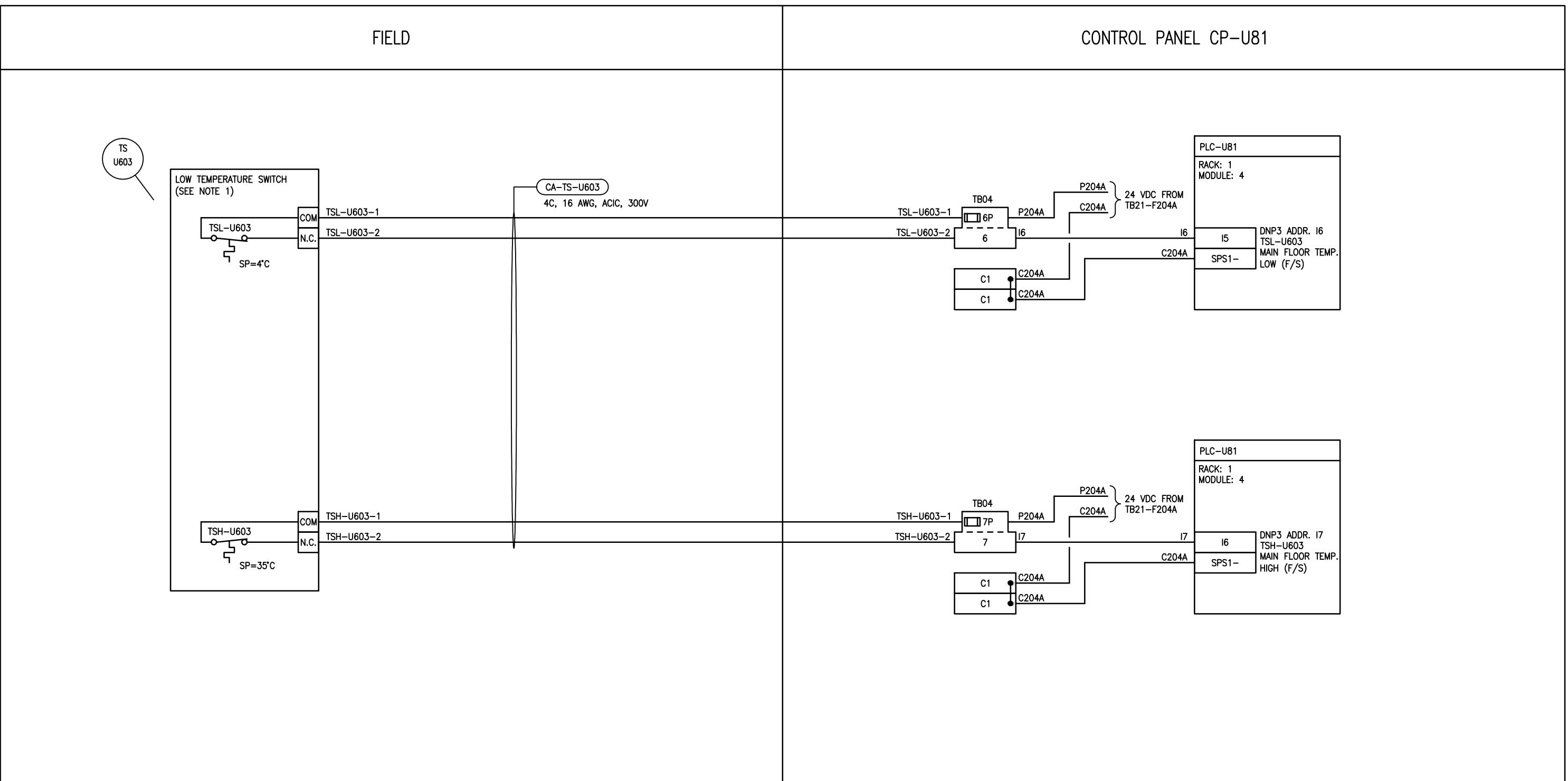


LAST SAVE: 2018/05/09 - 10:40am
 PATH: M:\648185\4ENG\48IC\DD - General DWG\1-0309U-A0016-001-00.dwg
 B SIZE - 279mm x 432mm



NOTES

- LOW TEMPERATURE SWITCH (TSL) CONTACT TO BE CLOSED WHEN TEMPERATURE IS ABOVE SETPOINT AND OPEN WHEN TEMPERATURE IS BELOW SETPOINT. HIGH TEMPERATURE SWITCH (TSH) CONTACT TO BE OPEN WHEN TEMPERATURE IS ABOVE SETPOINT AND CLOSED WHEN TEMPERATURE IS BELOW SETPOINT.



SNC-LAVALIN INC.
 148 Nature Park Way
 Winnipeg, MB, Canada R3P 0X7
 204-786-8080

ENGINEER'S SEAL

**PRELIMINARY
 NOT TO BE
 USED FOR
 CONSTRUCTION**



THE CITY OF WINNIPEG
 WATER AND WASTE DEPARTMENT

METRO ROUTE 20 UNDERPASS PUMPING STATION
 2018 UPGRADES
 LOOP DIAGRAM
 ROOM LOW TEMP. SWITCH AND HIGH TEMP. SWITCH
 TSL-U603, TSH-U603

NO.	REVISIONS	DATE	DESIGN	CHECK
00	ISSUED FOR TENDER, BID OPP. 475-2018	2018/05/09	TC	BC

DESIGNED BY: T. CHURCH	CHECKED BY: B. CLEVEN
DRAWN BY: Y. KONIG	APPROVED BY: B. CLEVEN
SCALE: NTS	DATE: 2018/04/10
ISSUED FOR CONSTRUCTION	
BY:	DATE:
CONSULTANT NO.:	

CITY DRAWING NUMBER 1-0309U-A0016	SHEET 001	REV. 00	SIZE B
--------------------------------------	--------------	------------	-----------