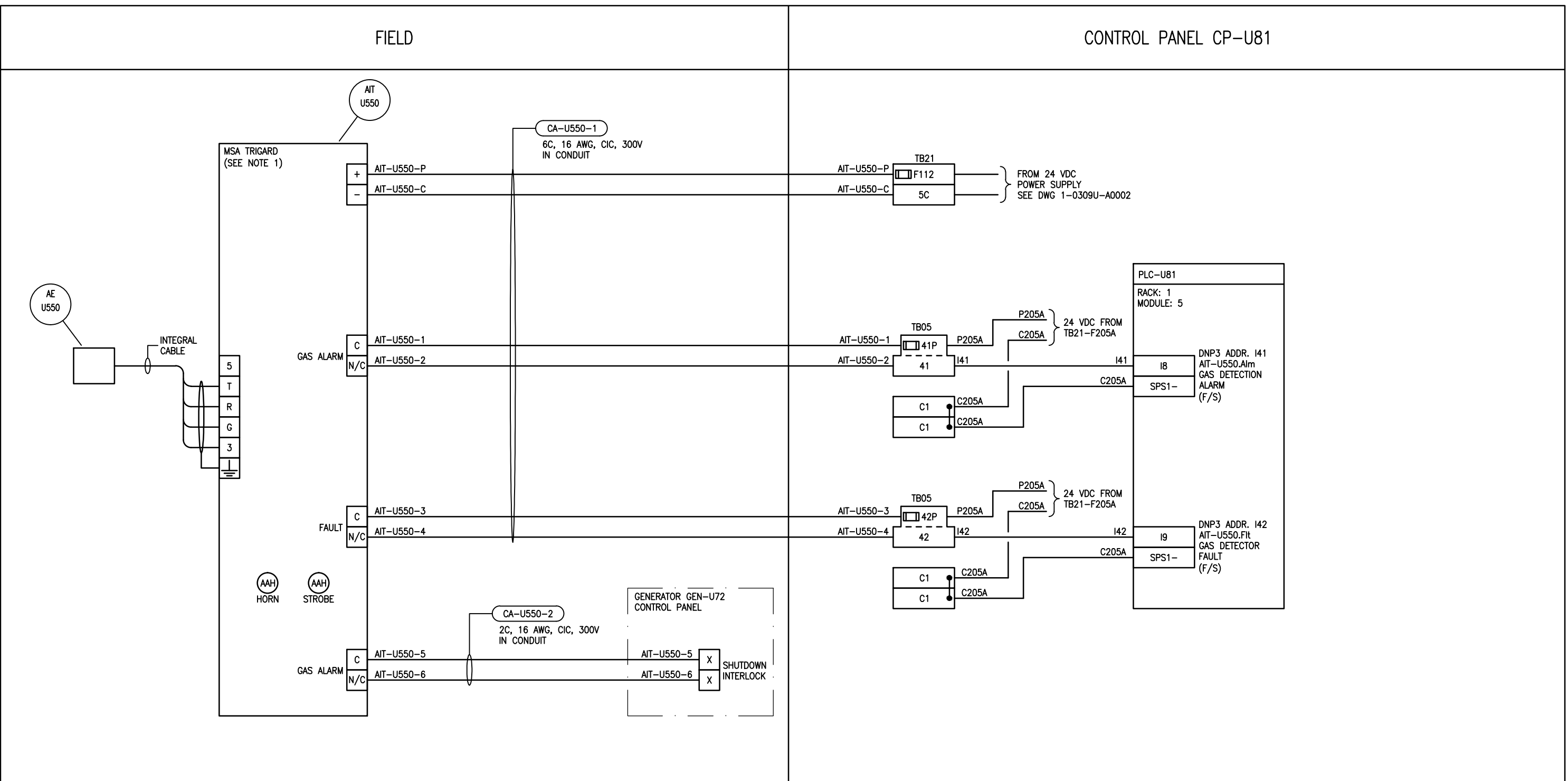


LAST SAVE: 2018/05/09 - 10:40am
 PATH: M:\648185\4ENG\48IC\DD - General DWG\1-0309U-A0017-001-00.dwg
 B SIZE - 279mm x 432mm



NOTES

- CONFIGURE NORMALLY OPEN RELAYS TO BE HELD CLOSED UNDER NORMAL CONDITIONS, AND OPEN UPON AN ALARM OR LOSS OF POWER.



SNC-LAVALIN INC.
 148 Nature Park Way
 Winnipeg, MB, Canada R3P 0X7
 204-786-8080

ENGINEER'S SEAL

DESIGNED BY: T. CHURCH	CHECKED BY: B. CLEVEN
DRAWN BY: Y. KONIG	APPROVED BY: B. CLEVEN
SCALE: NTS	DATE: 2018/04/10
ISSUED FOR CONSTRUCTION	
BY:	DATE:
CONSULTANT NO.:	

PRELIMINARY
 NOT TO BE
 USED FOR
 CONSTRUCTION

THE CITY OF WINNIPEG

WATER AND WASTE DEPARTMENT

METRO ROUTE 20 UNDERPASS PUMPING STATION
 2018 UPGRADES
 LOOP DIAGRAM
 GAS DETECTOR ALARM AND FAULT
 AIT-U550

NO.	REVISIONS	DATE	DESIGN	CHECK
00	ISSUED FOR TENDER, BID OPP. 475-2018	2018/05/09	TC	BC

CITY DRAWING NUMBER	SHEET	REV.	SIZE
1-0309U-A0017	001	00	B