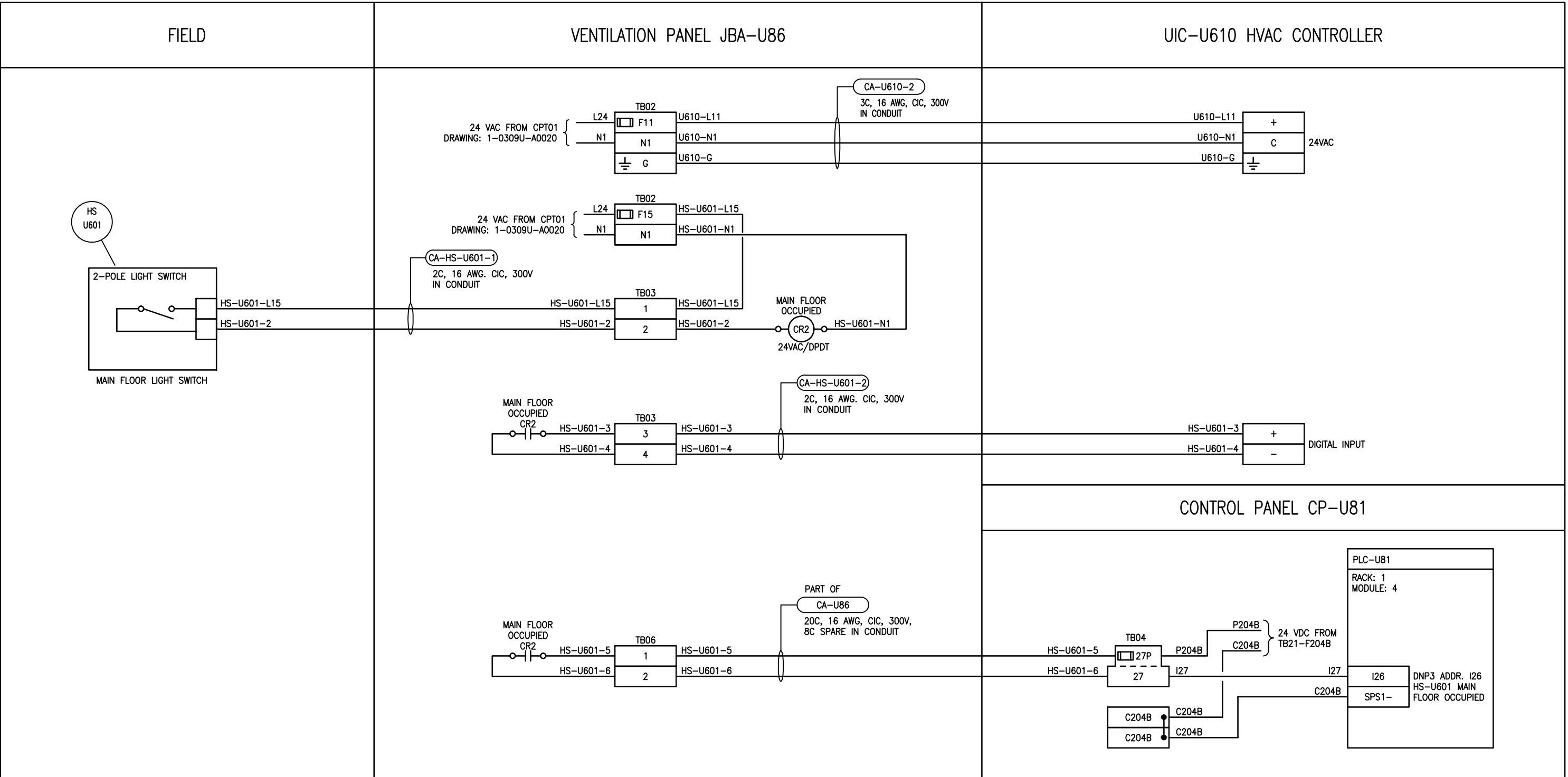


LAST SAVE: 2018/05/09 - 10:42am
 PATH: M:\648185\4ENG\48IC\DD - General DWG\1-0309U-A0021-001-00.dwg
 B SIZE - 279mm x 432mm



SNC-LAVALIN INC.
 148 Nature Park Way
 Winnipeg, MB, Canada R3P 0X7
 204-786-8080

DESIGNED BY: T. CHURCH	CHECKED BY: B. CLEVEN
DRAWN BY: Y. KONIG	APPROVED BY: B. CLEVEN
SCALE: NTS	DATE: 2018/04/10
ISSUED FOR CONSTRUCTION	
BY:	DATE:
CONSULTANT NO.:	

ENGINEER'S SEAL

PRELIMINARY
 NOT TO BE
 USED FOR
 CONSTRUCTION

THE CITY OF WINNIPEG
 WATER AND WASTE DEPARTMENT

METRO ROUTE 20 UNDERPASS PUMPING STATION
 2018 UPGRADES
 LOOP DIAGRAM
 STATION OCCUPANCY SWITCH
 HS-U601



NO.	REVISIONS	DATE	DESIGN	CHECK
00	ISSUED FOR TENDER, BID OPP. 475-2018	2018/05/09	TC	BC

CITY DRAWING NUMBER	SHEET	REV.	SIZE
1-0309U-A0021	001	00	B