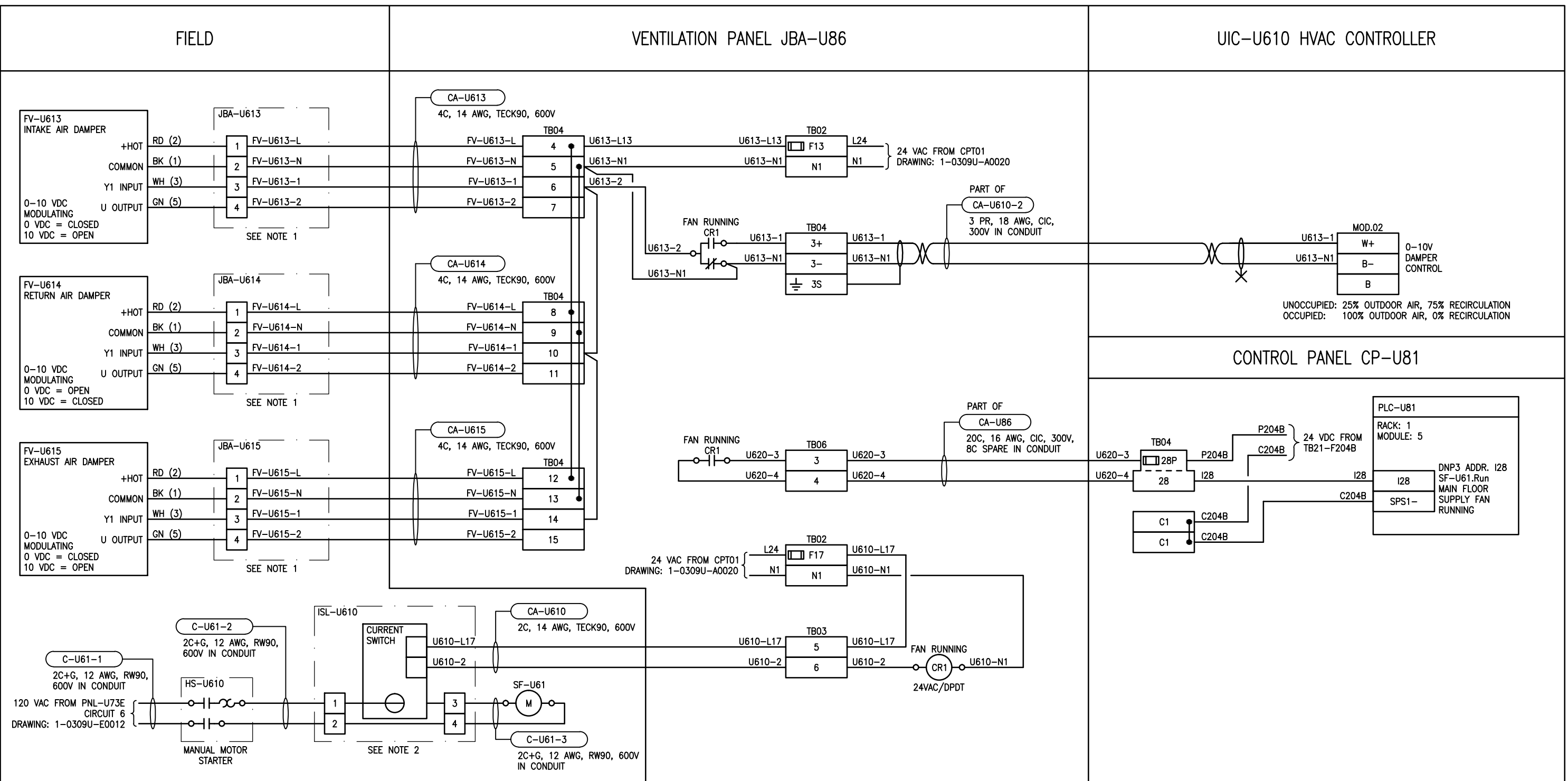


LAST SAVE: 2018/05/09 - 10:43am
 PATH: M:\648185\4ENG\48IC\DD - General DWG\1-0309U-A0024-001-00.dwg
 B SIZE - 279mm x 432mm



NOTES

- PROVIDE AND INSTALL NEW NEMA TYPE 4 JUNCTION BOX, COMPLETE WITH TERMINALS AND IDENTIFICATION LAMACOID.
- PROVIDE AND INSTALL NEW NEMA TYPE 4 JUNCTION BOX, COMPLETE WITH TERMINALS, EATON ECSNOASC CURRENT SWITCH, AND IDENTIFICATION LAMACOID.



SNC-LAVALIN INC.
 148 Nature Park Way
 Winnipeg, MB, Canada R3P 0X7
 204-786-8080

DESIGNED BY: T. CHURCH	CHECKED BY: B. CLEVEN
DRAWN BY: Y. KONIG	APPROVED BY: B. CLEVEN
SCALE: NTS	DATE: 2018/04/10
ISSUED FOR CONSTRUCTION	
BY:	DATE:
CONSULTANT NO.:	

PRELIMINARY
 NOT TO BE
 USED FOR
 CONSTRUCTION

THE CITY OF WINNIPEG
 WATER AND WASTE DEPARTMENT

METRO ROUTE 20 UNDERPASS PUMPING STATION
 2018 UPGRADES
 LOOP DIAGRAM
 MAIN FLOOR HVAC DAMPERS AND SUPPLY FAN
 FV-U613, FV-U614, FV-U615, SF-U61

00	ISSUED FOR TENDER, BID OPP. 475-2018	2018/05/09	TC	BC
NO.	REVISIONS	DATE	DESIGN	CHECK

CITY DRAWING NUMBER	SHEET	REV.	SIZE
1-0309U-A0024	001	00	B