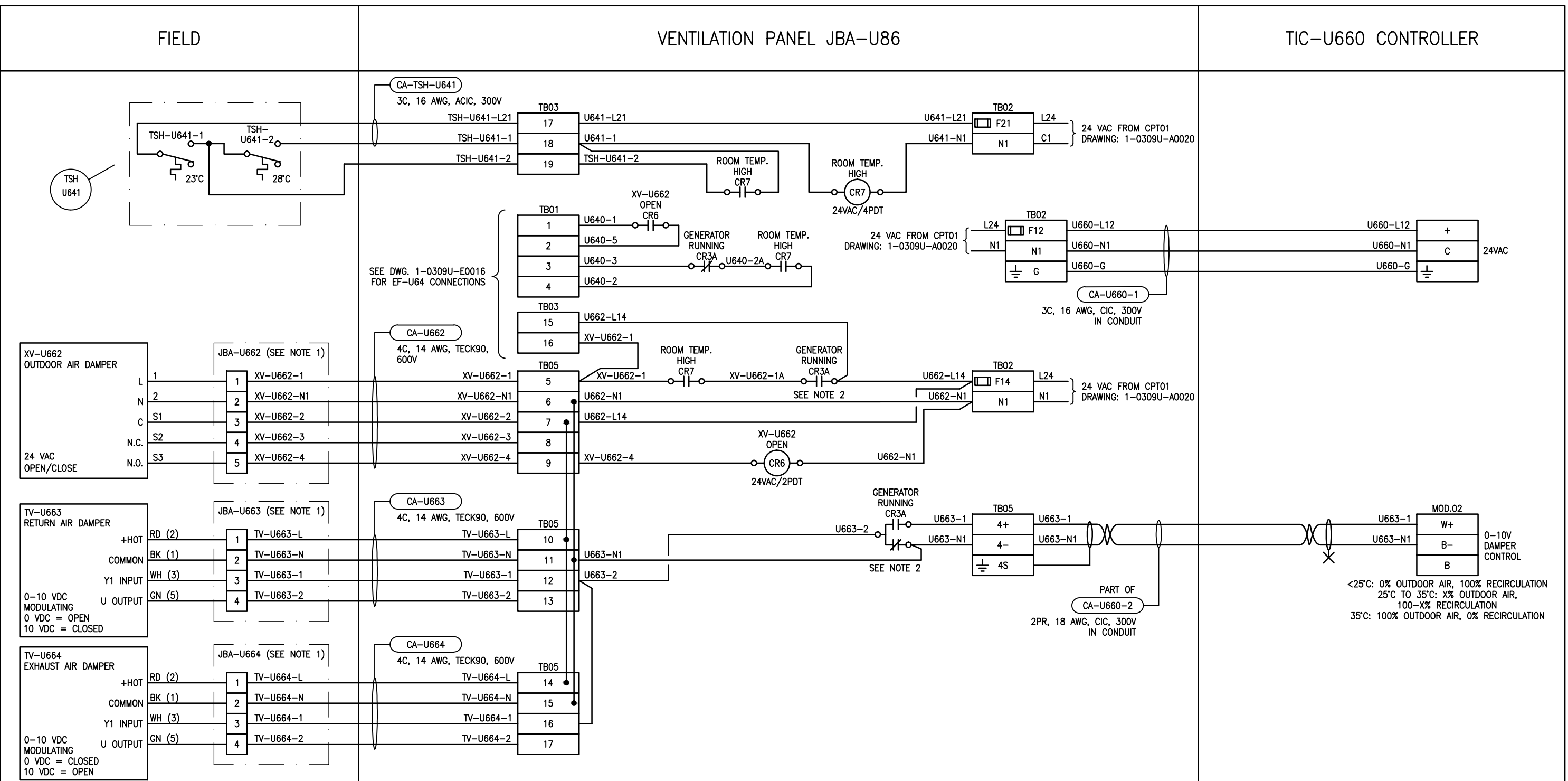


LAST SAVE: 2018/05/09 - 10:44am  
 PATH: M:\648185\4ENG\48IC\DD - General DWG\1-0309U-A0027-001-00.dwg  
 B SIZE - 279mm x 432mm



- NOTES**
- PROVIDE AND INSTALL NEW NEMA TYPE 4 JUNCTION BOX, COMPLETE WITH TERMINALS AND IDENTIFICATION LAMACOID.
  - SEE DRAWING 1-0309U-A0013 FOR CR3 COIL CONNECTIONS.



**SNC-LAVALIN INC.**  
 148 Nature Park Way  
 Winnipeg, MB, Canada R3P 0X7  
 204-786-8080

DESIGNED BY:	T. CHURCH	CHECKED BY:	B. CLEVEN		
DRAWN BY:	Y. KONIG	APPROVED BY:	B. CLEVEN		
SCALE:	NTS	DATE:	2018/04/10		
ISSUED FOR CONSTRUCTION					
BY:					
DATE:					
CONSULTANT NO.:					
00	ISSUED FOR TENDER, BID OPP. 475-2018	2018/05/09	TC	BC	
NO.	REVISIONS	DATE	DESIGN	CHECK	

ENGINEER'S SEAL  
**PRELIMINARY**  
**NOT TO BE**  
**USED FOR**  
**CONSTRUCTION**

**THE CITY OF WINNIPEG**  
 WATER AND WASTE DEPARTMENT

METRO ROUTE 20 UNDERPASS PUMPING STATION  
 2018 UPGRADES  
 LOOP DIAGRAM  
 GENERATOR COOLING DAMPERS  
 XV-U662, TV-U663, TV-U664

CITY DRAWING NUMBER	SHEET	REV.	SIZE
1-0309U-A0027	001	00	B