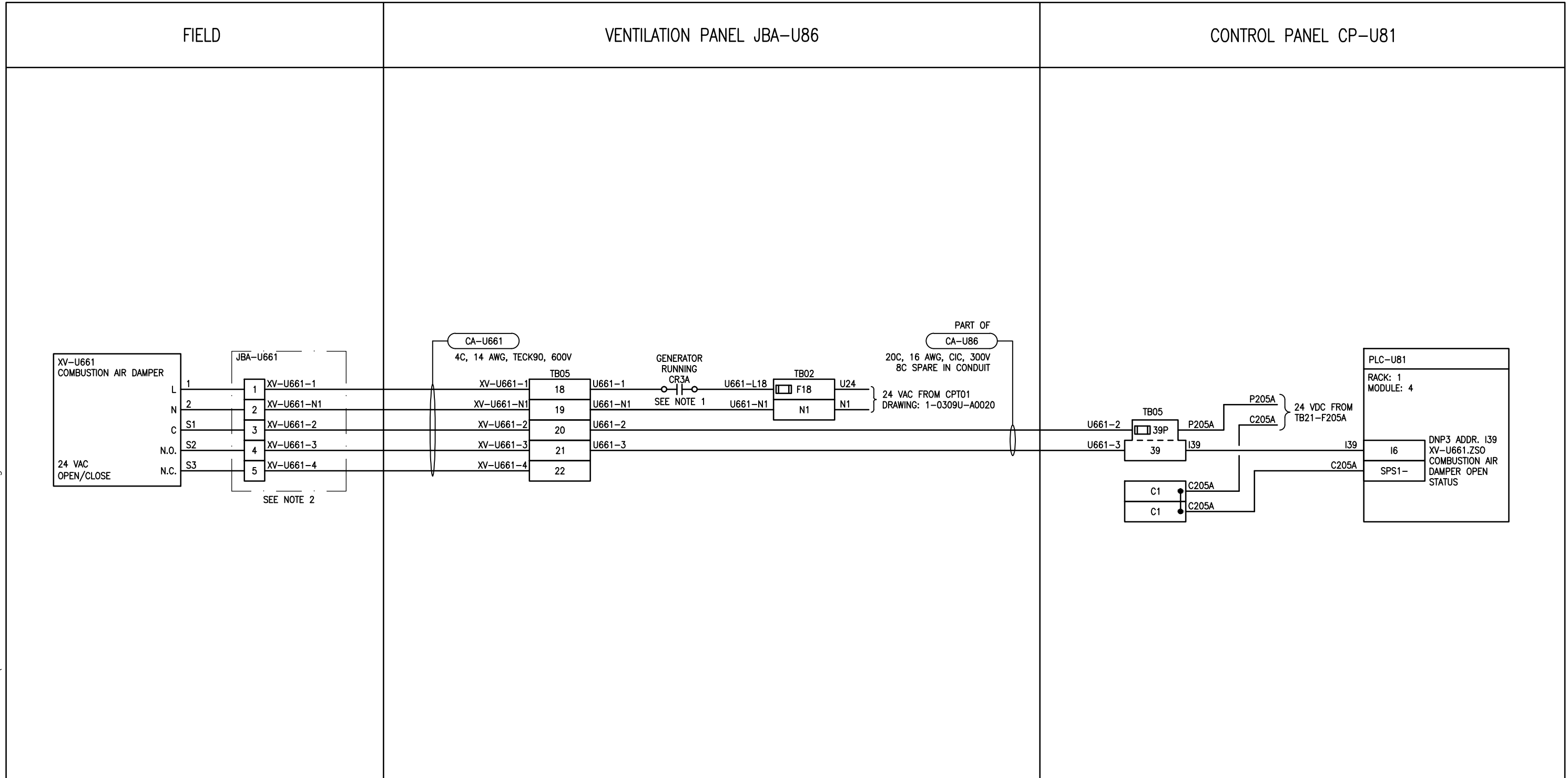


B SIZE - 279mm x 432mm

LAST SAVE: 2018/05/09 - 10:44am
 PATH: M:\648185\4ENG\48IC\DD - General DWG\1-0309U-A0028-001-00.dwg



NOTES

- SEE DRAWING 1-0309U-A0013 FOR CR3A COIL CONNECTIONS.
- PROVIDE AND INSTALL NEW NEMA TYPE 4 JUNCTION BOX, COMPLETE WITH TERMINALS AND IDENTIFICATION LAMACOID.



SNC-LAVALIN INC.
 148 Nature Park Way
 Winnipeg, MB, Canada R3P 0X7
 204-786-8080

ENGINEER'S SEAL

**PRELIMINARY
 NOT TO BE
 USED FOR
 CONSTRUCTION**



THE CITY OF WINNIPEG
 WATER AND WASTE DEPARTMENT

METRO ROUTE 20 UNDERPASS PUMPING STATION
 2018 UPGRADES
 LOOP DIAGRAM
 GENERATOR COMBUSTION AIR DAMPER
 XV-U661

NO.	REVISIONS	DATE	DESIGN	CHECK
00	ISSUED FOR TENDER, BID OPP. 475-2018	2018/05/09	TC	BC

DESIGNED BY: T. CHURCH	CHECKED BY: B. CLEVEN
DRAWN BY: Y. KONIG	APPROVED BY: B. CLEVEN
SCALE: NTS	DATE: 2018/05/09
ISSUED FOR CONSTRUCTION BY: _____ DATE: _____	
CONSULTANT NO.:	

CITY DRAWING NUMBER 1-0309U-A0028	SHEET 001	REV. 00	SIZE B
--------------------------------------	--------------	------------	-----------