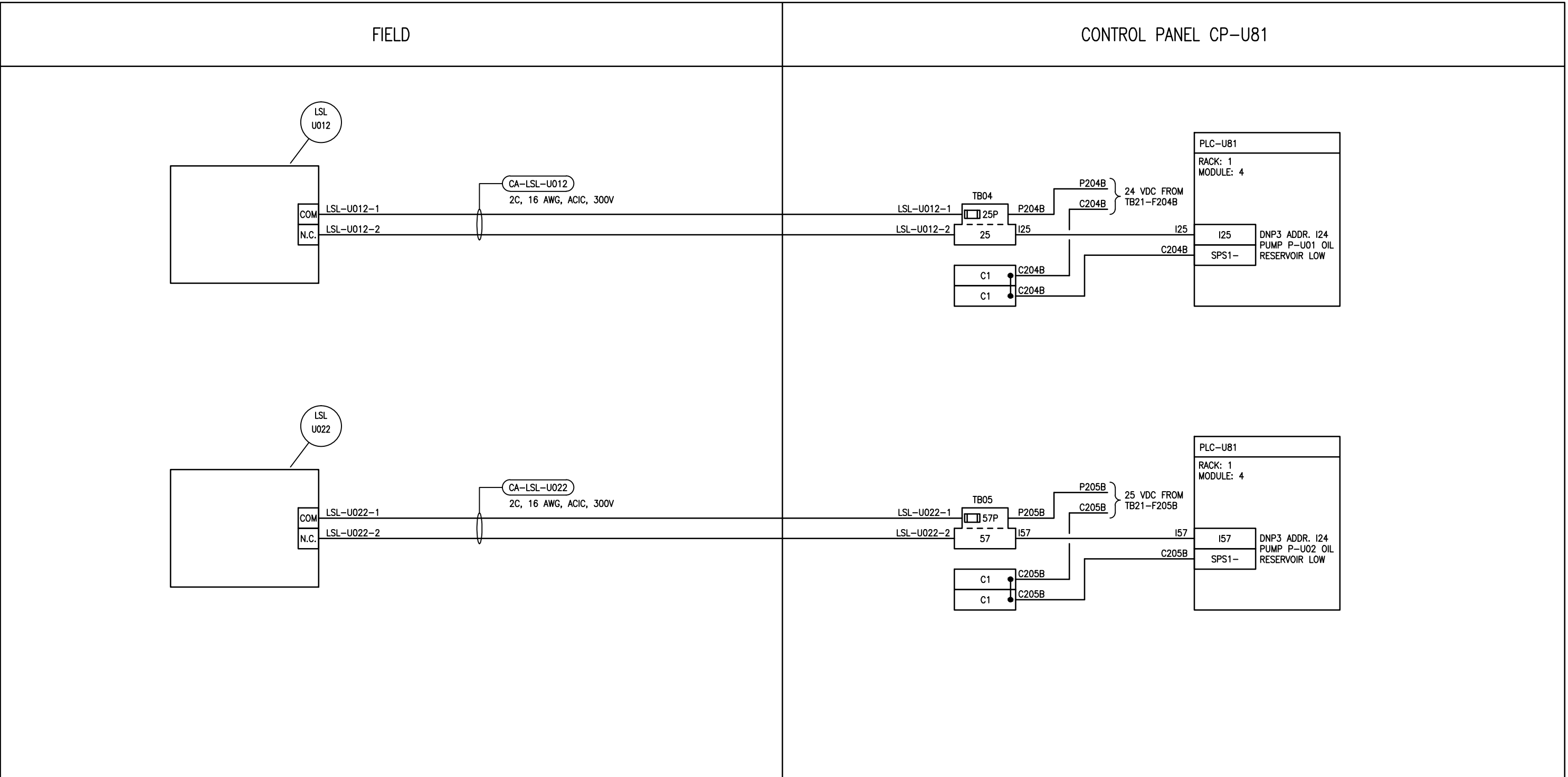


LAST SAVE: 2018/05/09 - 10:45am  
 PATH: M:\648185\4ENG\48IC\DD - General DWG\1-0309U-A0029-001-00.dwg  
 B SIZE - 279mm x 432mm



**NOTES**

- TEMPERATURE SWITCH CONTACT TO BE OPEN WHEN TEMPERATURE IS ABOVE SETPOINT AND CLOSED WHEN TEMPERATURE IS BELOW SETPOINT.



**SNC-LAVALIN**  
 SNC-LAVALIN INC.  
 148 Nature Park Way  
 Winnipeg, MB, Canada R3P 0X7  
 204-786-8080

NO.	REVISIONS	DATE	DESIGN	CHECK
00	ISSUED FOR TENDER, BID OPP. 475-2018	2018/05/09	TC	BC

DESIGNED BY: T. CHURCH	CHECKED BY: B. CLEVEN
DRAWN BY: Y. KONIG	APPROVED BY: B. CLEVEN
SCALE: NTS	DATE:
ISSUED FOR CONSTRUCTION DATE:	
BY:	
CONSULTANT NO.:	

ENGINEER'S SEAL

**PRELIMINARY  
NOT TO BE  
USED FOR  
CONSTRUCTION**

**THE CITY OF WINNIPEG**  
 WATER AND WASTE DEPARTMENT

METRO ROUTE 20 UNDERPASS PUMPING STATION  
 2018 UPGRADES  
 LOOP DIAGRAM  
 OIL RESERVOIR LEVEL SWITCHES  
 LSL-U012 AND LSL-U022

CITY DRAWING NUMBER	SHEET	REV.	SIZE
1-0309U-A0029	001	00	B