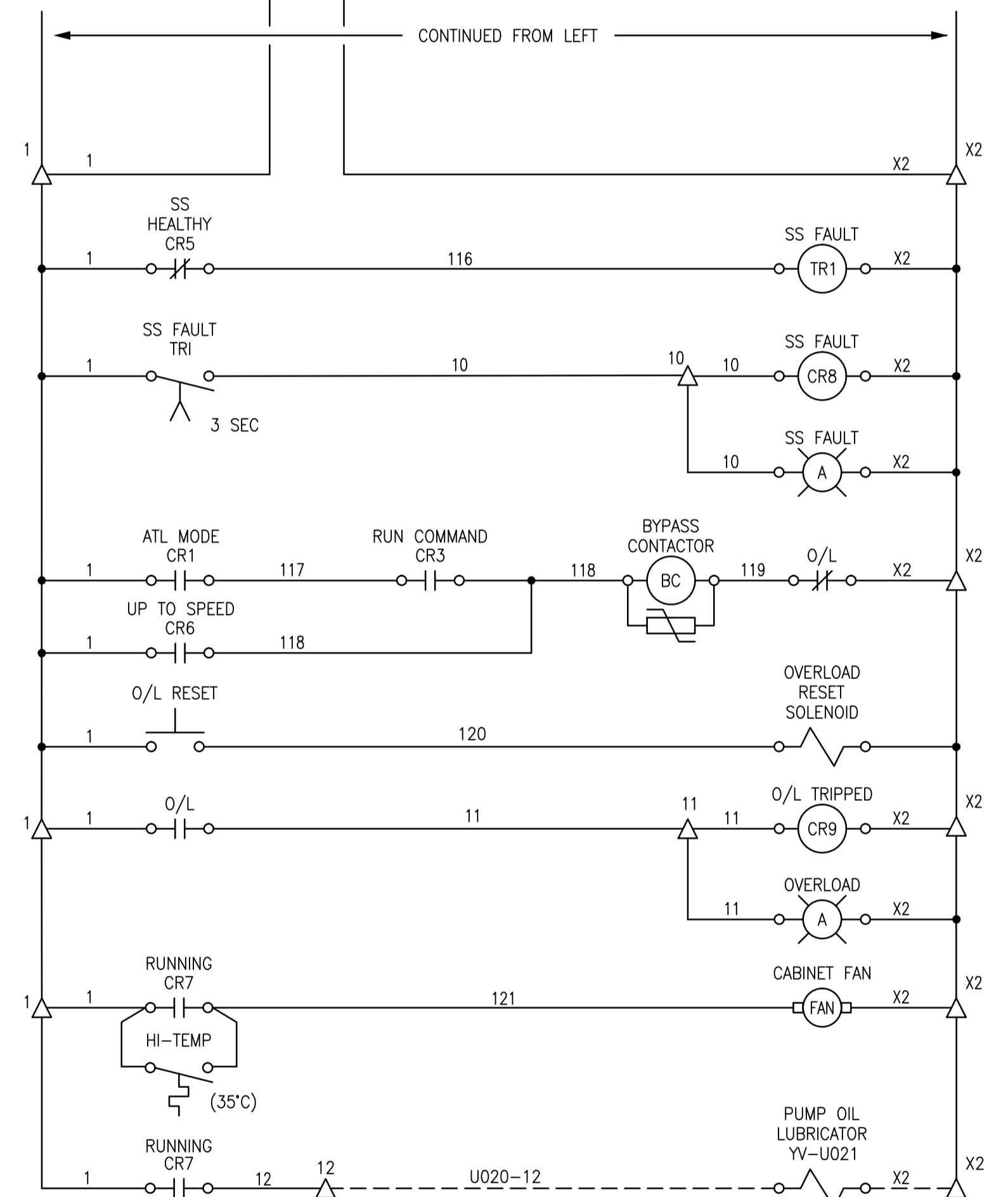
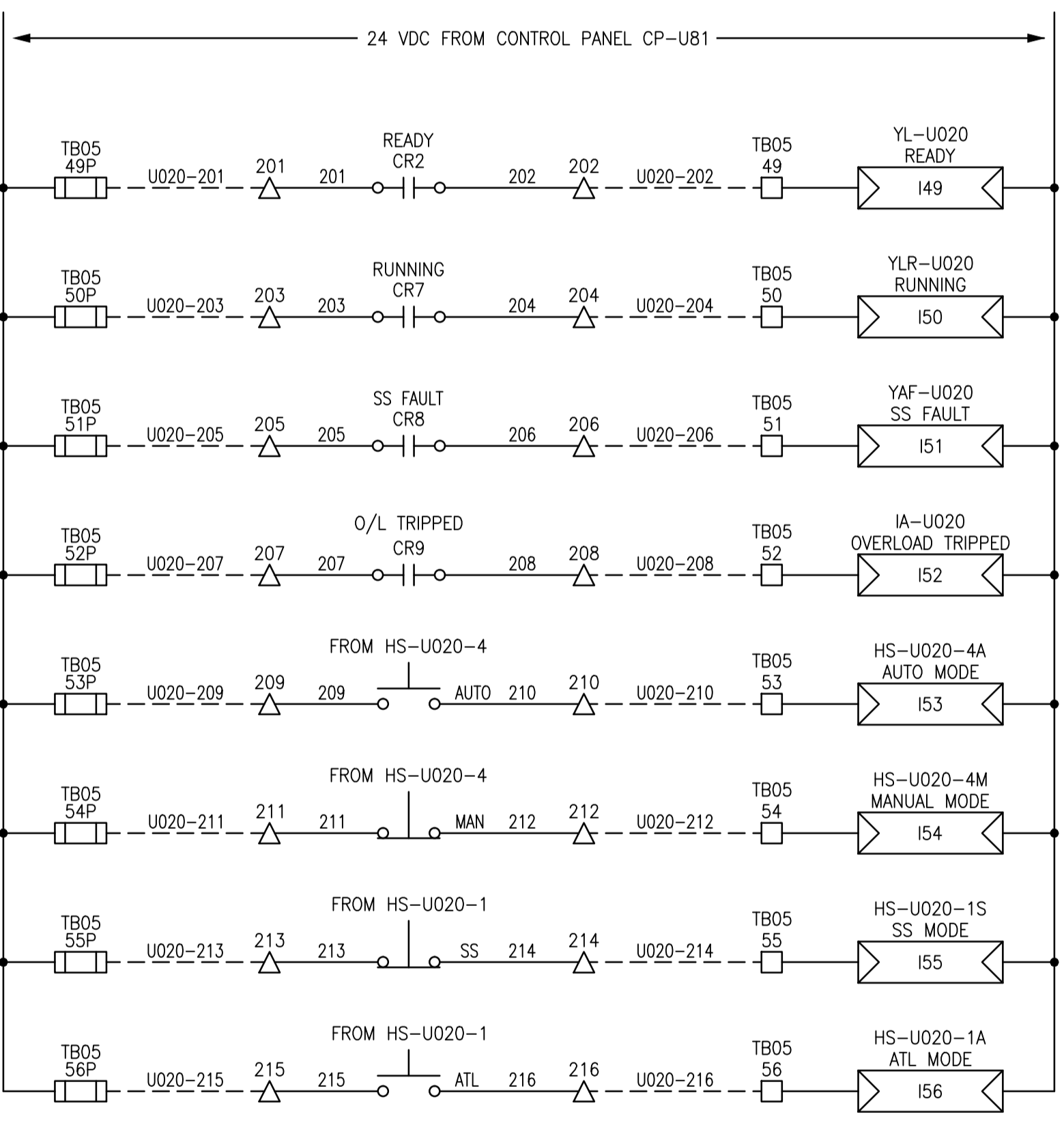
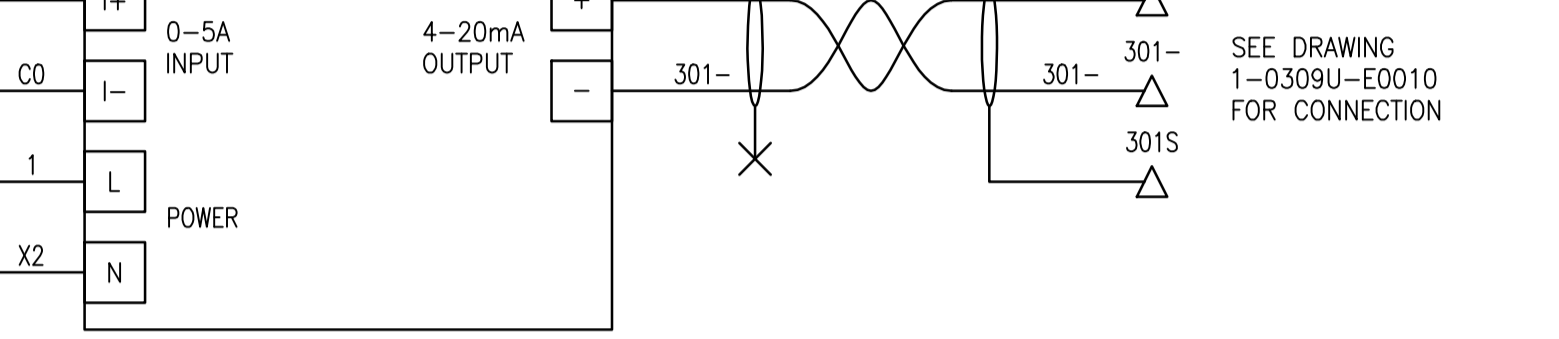


LEGEND:

- INTERNAL WIRING
- - - FIELD (EXTERNAL) WIRING
- △ SOFT START ENCLOSURE TERMINAL
- CONTROL PANEL TERMINAL
- ⊗ SOFT START DEVICE TERMINAL
- ENGINE JUNCTION BOX JBA-U83-1 TERMINAL
- ⊞ TRANSIENT VOLTAGE SUPPRESSOR
- ETM ELAPSED TIME METER
- A AMMETER



- NOTES:**
- COMPLETE ASSEMBLY TO HAVE A SHORT CIRCUIT CURRENT RATING OF 18kA OR HIGHER.
 - GROUP AND SPACE 120VAC, 24VDC AND 4-20mA TERMINALS AND WIRING SEPARATELY.
 - ALL REMOTE WIRING IS 24VDC.
 - COLOUR CODE WIRING AS FOLLOWS:
 POWER - 120VAC SUPPLY BLACK
 POWER - 120VAC NEUTRAL WHITE
 POWER - 24VDC SUPPLY (+) BLUE
 POWER - 24VDC COMMON (-, OR OVD) BROWN
 DISCRETE CONTROL - AC RED
 DISCRETE CONTROL - DC BLUE
 GROUND GREEN



NO.	REVISIONS	DATE	DESIGN	CHECK
00	ISSUED FOR TENDER, BID OPP. 475-2018	2018/05/09	BC	PP

SNC-LAVALIN

DESIGNED BY: B. CLEVEN
 DRAWN BY: Y. KONIG
 SCALE: NTS
 DATE: 2018/02/05

CHECKED BY: P. PANUFNIK
 APPROVED BY: B. CLEVEN
 ISSUED FOR CONSTRUCTION
 DATE:

ENGINEER'S SEAL

PRELIMINARY
 NOT TO BE
 USED FOR
 CONSTRUCTION

THE CITY OF WINNIPEG
 WATER AND WASTE DEPARTMENT

METRO ROUTE 20 UNDERPASS PUMPING STATION
 2018 UPGRADES
 MOTOR STARTER SCHEMATIC
 MS-U02
 UNDERPASS PUMP PU02

CITY DRAWING NUMBER: 1-0309U-E0009
 SHEET: 001
 REV: 00
 SIZE: A1

1-0309U-E0010	MS-U02 CONNECTION DIAGRAM
DRAWING NUMBER	REFERENCE DRAWINGS