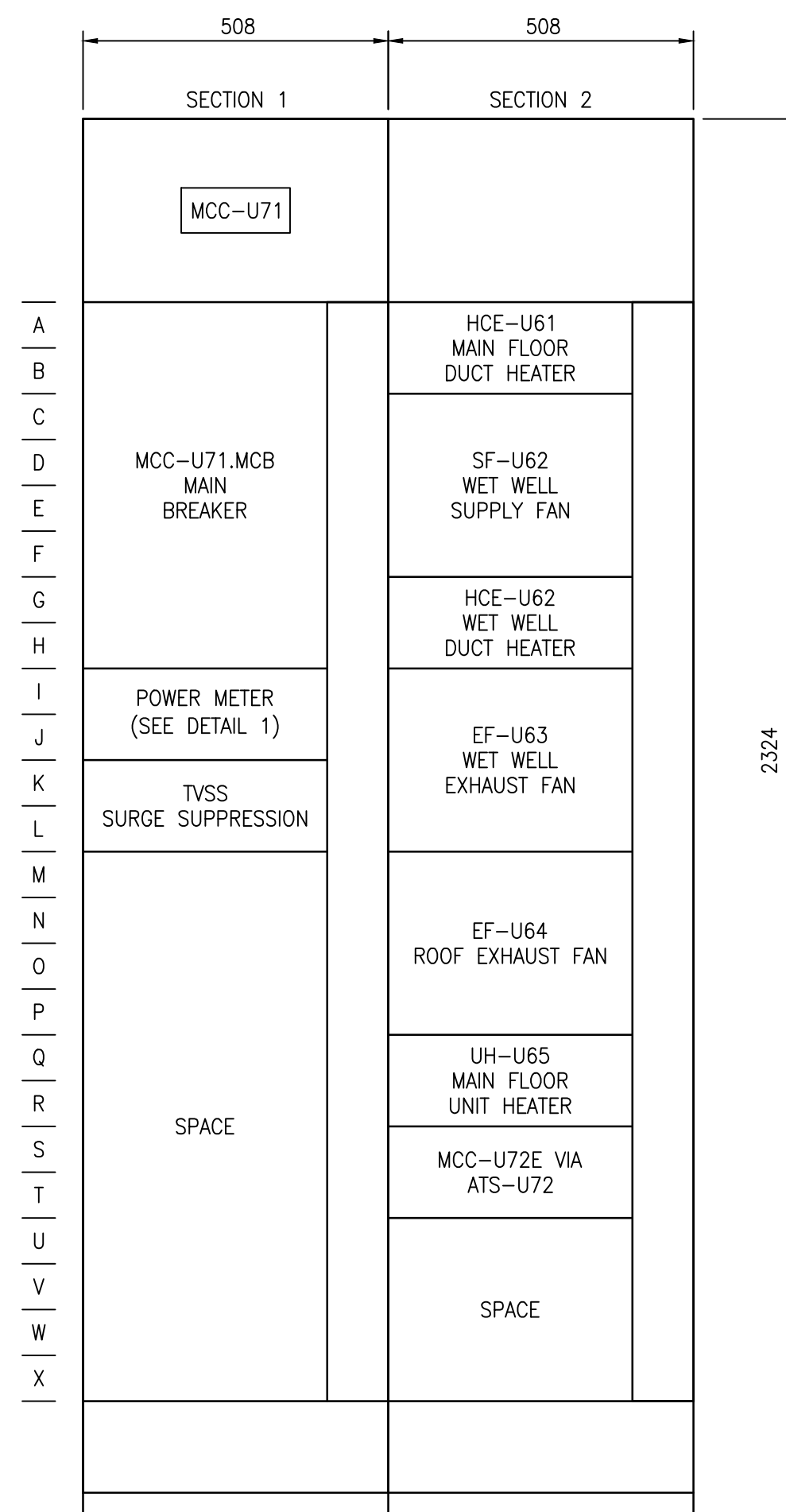


MCC-U71 REQUIREMENTS:

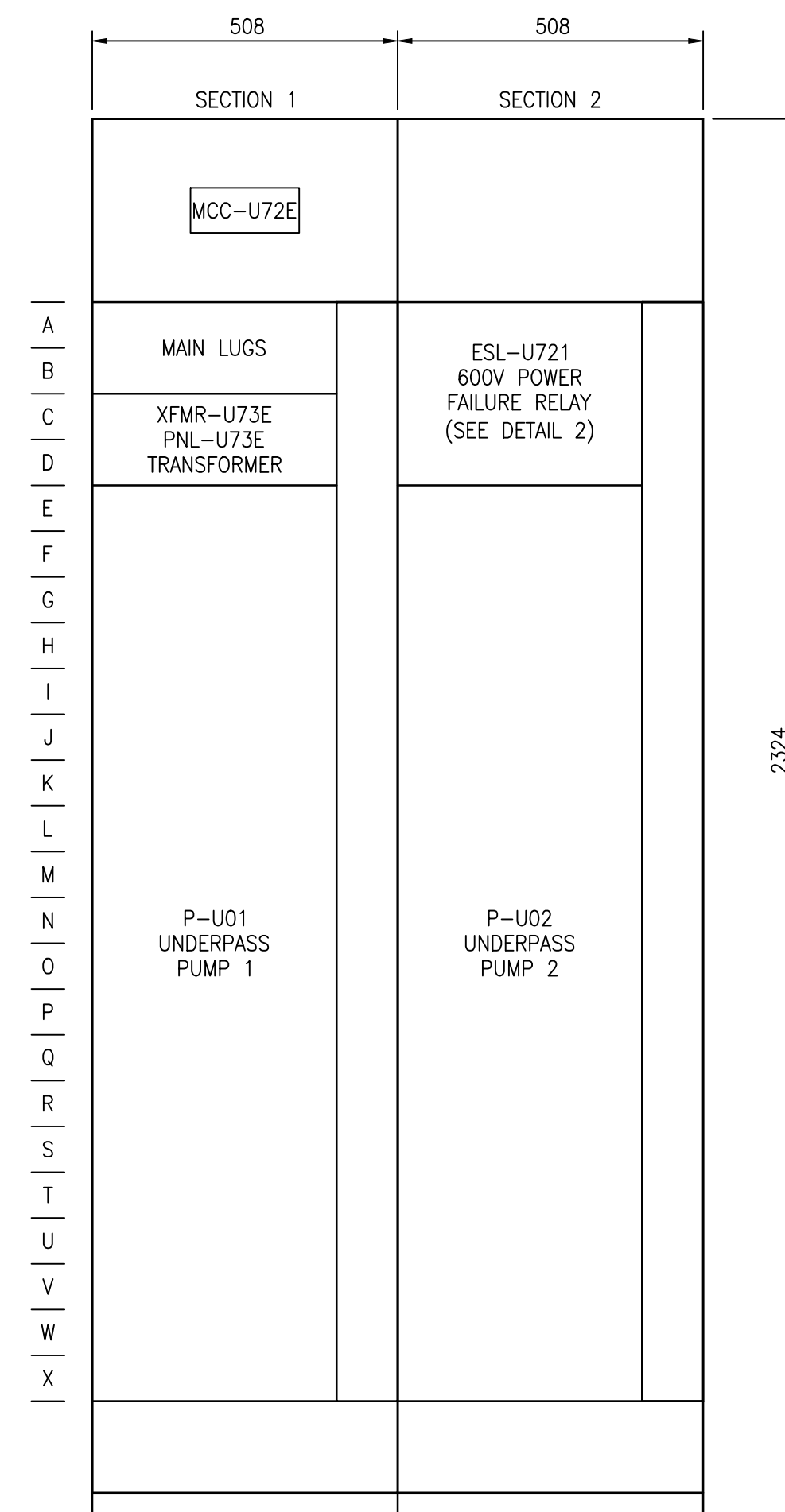
IDENTIFIER: MCC-U71		
ENCLOSURE TYPE: NEMA 1A	MOUNTING: FRONT	DEPTH: 381 mm (15")
SUPPLY VOLTAGE: 600V, 3 ϕ , 4W, 60HZ		INCOMING NEUTRAL TERMINATION: YES
CONTROL VOLTAGE: 120V, 60HZ	WIRING: CLASS I, TYPE Bd OR Bt AS SHOWN ON THE DRAWINGS	
MINIMUM BUS RATING:	HORIZONTAL: 600A	VERTICAL: AS REQ'D
SUITABLE FOR SERVICE ENTRANCE: NO	NEUTRAL BUS: YES	
BUS BRACING: 42kA	SCCR: 25 kA MIN.	SERIES SCCR PERMITTED: NO
BUS MATERIAL: TIN PLATED COPPER		
MANUFACTURER: SCHNEIDER ELECTRIC		MODEL: MODEL 6

MCC-U72E REQUIREMENTS:

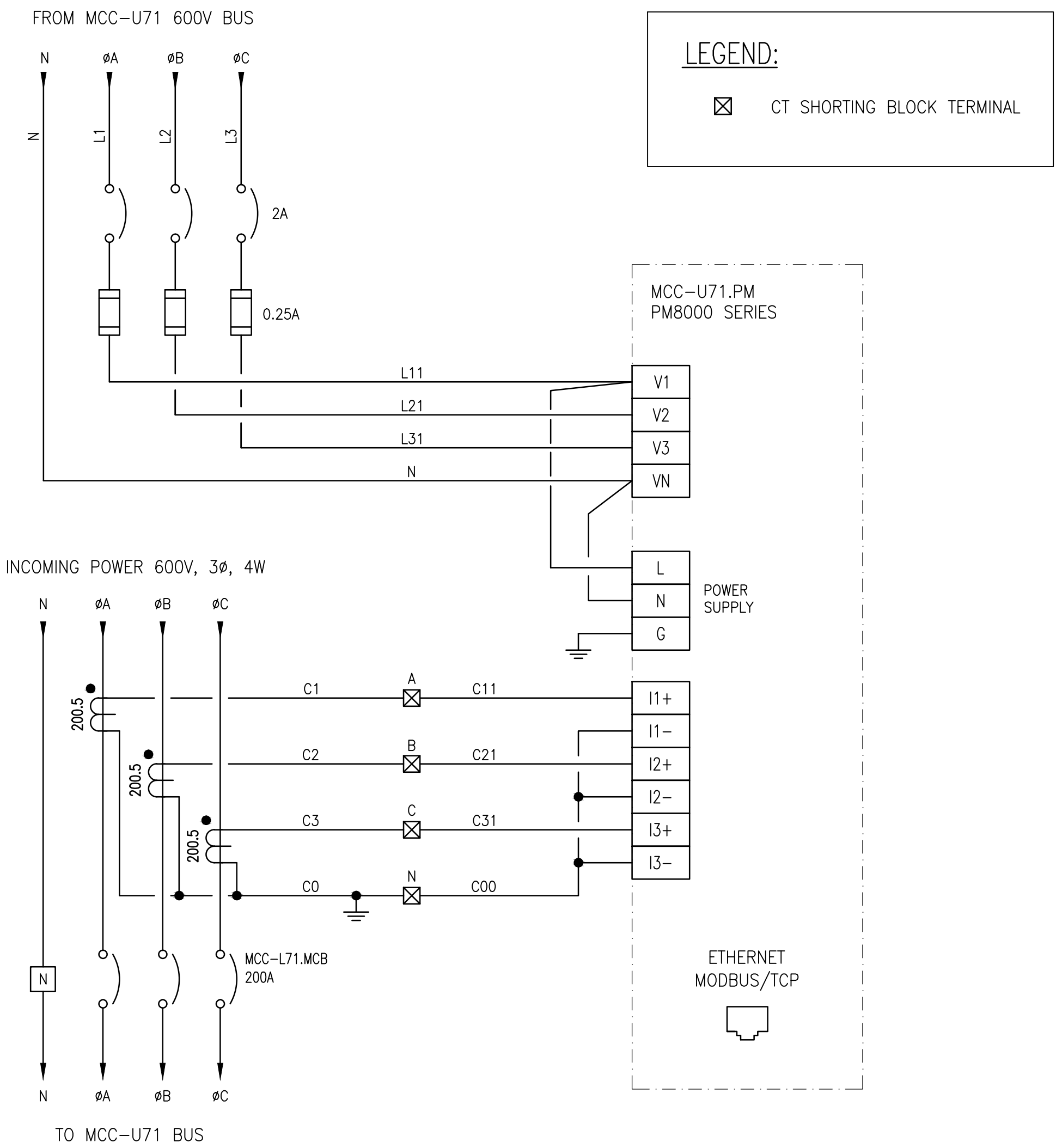
IDENTIFIER: MCC-U72E		
ENCLOSURE TYPE: NEMA 1A	MOUNTING: FRONT	DEPTH: 381 mm (15")
SUPPLY VOLTAGE: 600V, 3 ϕ , 4W, 60HZ		INCOMING NEUTRAL TERMINATION: YES
CONTROL VOLTAGE: 120V, 60HZ	WIRING: CLASS I, TYPE Bd OR Bt AS SHOWN ON THE DRAWINGS	
MINIMUM BUS RATING:	HORIZONTAL: 600A	VERTICAL: AS REQ'D
SUITABLE FOR SERVICE ENTRANCE: NO	NEUTRAL BUS: YES	
BUS BRACING: 42kA	SCCR: 25 kA MIN.	SERIES SCCR PERMITTED: NO
BUS MATERIAL: TIN PLATED COPPER		
MANUFACTURER: SCHNEIDER ELECTRIC		MODEL: MODEL 6



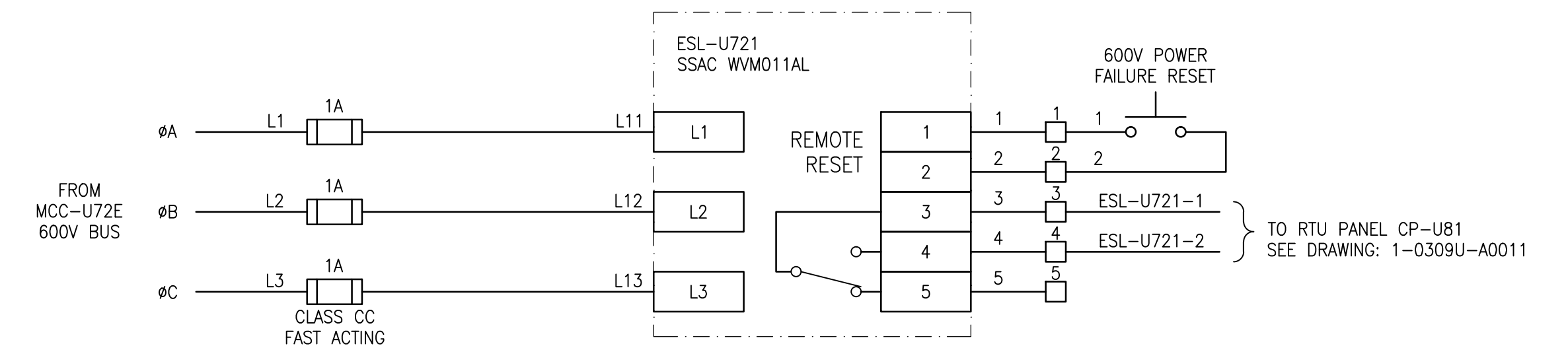
MCC-U71 ELEVATION
SCALE: 1:10



MCC-U72E ELEVATION
SCALE: 1:10



DETAIL 1: 600V POWER METER
SCALE: NTS



DETAIL 2: 600V POWER FAILURE RELAY
SCALE: NTS

1-0309U-E0001	SINGLE LINE DIAGRAM
DRAWING NUMBER	REFERENCE DRAWINGS



00	ISSUED FOR TENDER, BID OPP. 475-2018	2018/05/09	BC	PP
NO.	REVISIONS	DATE	DESIGN	CHECK

 SNC-LAVALIN INC. 148 Nature Park Way Winnipeg, MB, Canada R3P 0X7 204-798-8080	
DESIGNED BY: B. CLEVEN	CHECKED BY: P. PANUFNIK
DRAWN BY: Y. KONIG	APPROVED BY: B. CLEVEN
SCALE: AS SHOWN	ISSUED FOR CONSTRUCTION BY: DATE:
DATE: 2018/02/08	DATE:
CONSULTANT NO.:	

ENGINEER'S SEAL
PRELIMINARY
NOT TO BE
USED FOR
CONSTRUCTION

THE CITY OF WINNIPEG
 WATER AND WASTE DEPARTMENT

METRO ROUTE 20 UNDERPASS PUMPING STATION
 2017 UPGRADES
 MCC ELEVATIONS AND DETAILS
 MCC-U71 AND MCC-U72E

CITY DRAWING NUMBER	SHEET	REV.	SIZE
1-0309U-E0011	001	00	A1