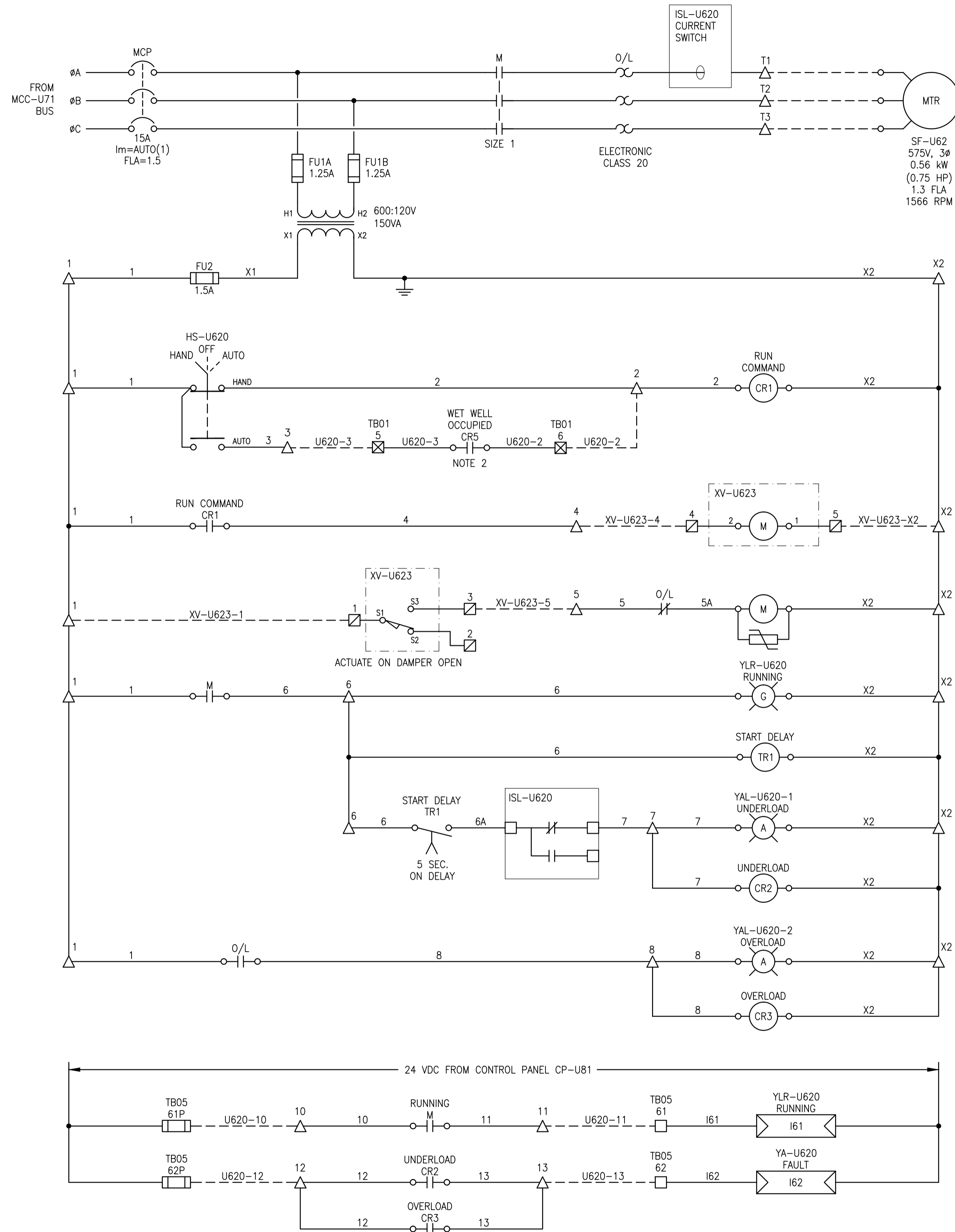
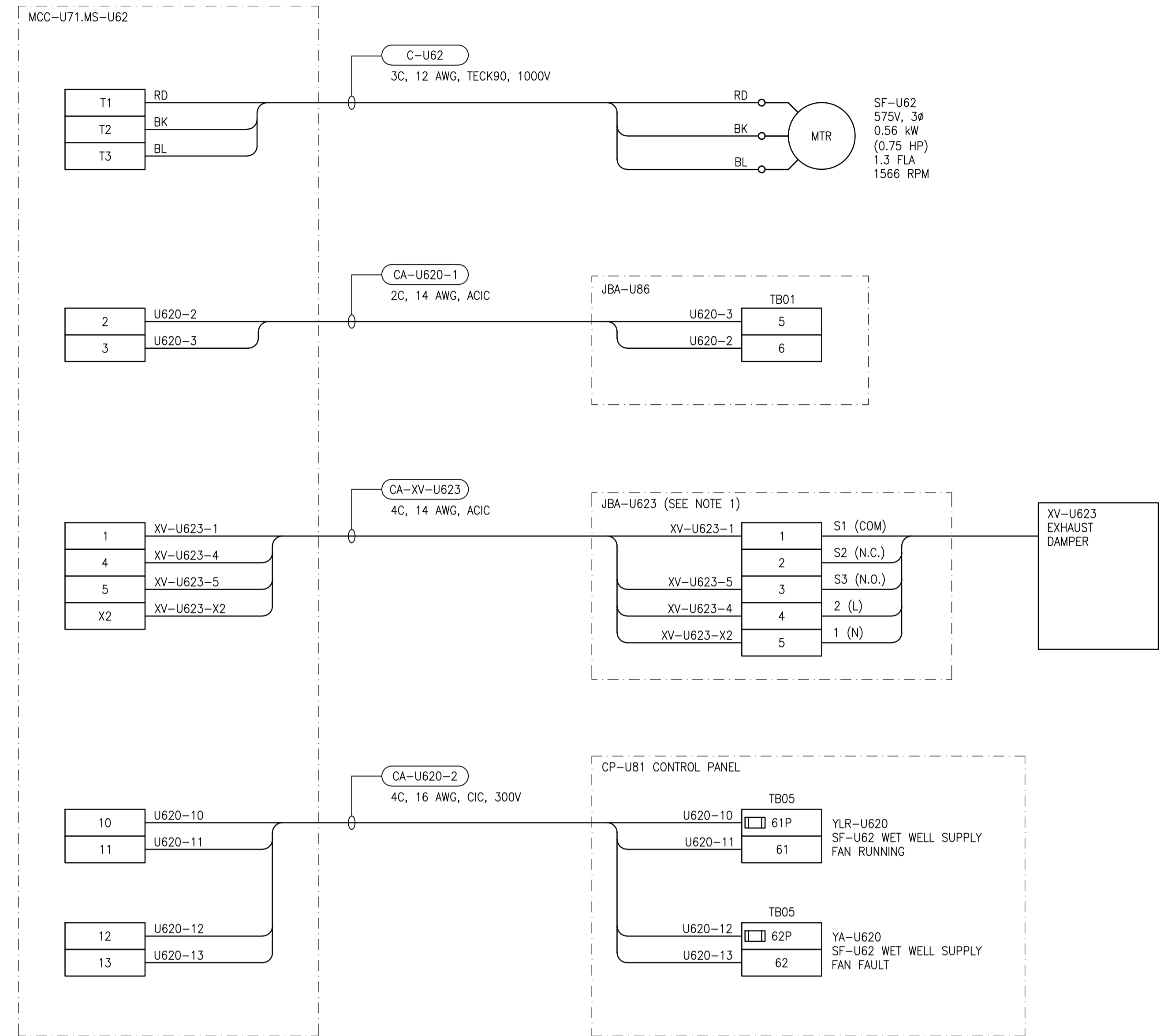


ELEMENTARY DIAGRAM:



FIELD CONNECTION DIAGRAM:



**LEGEND:**

- △ TERMINAL IN MOTOR STARTER PANEL
- TERMINAL IN CONTROL PANEL CP-U81
- ▣ TERMINAL IN JUNCTION BOX
- ⊗ TERMINAL IN VENTILATION PANEL JBA-U86
- ⊙ INDICATING LIGHT, G = GREEN, A = AMBER
- ▢ PLC INPUT

- NOTES:**
- PROVIDE AND INSTALL NEW NEMA TYPE 4 JUNCTION BOX, COMPLETE WITH TERMINALS AND IDENTIFICATION LAMACOID.
  - SEE DRAWING 1-0309U-A0022 FOR CR5 COIL CONNECTIONS.



<p>SNC-LAVALIN INC. 148 Nature Park Way Winnipeg, MB, Canada R3P 0X7 204-786-8080</p>		<p>ENGINEER'S SEAL</p> <p><b>PRELIMINARY</b> NOT TO BE USED FOR CONSTRUCTION</p>	<p>THE CITY OF WINNIPEG WATER AND WASTE DEPARTMENT</p> <p>METRO ROUTE 20 UNDERPASS PUMPING STATION 2018 UPGRADES MOTOR STARTER SCHEMATIC SF-U62 WET WELL SUPPLY FAN</p>
<p>DESIGNED BY: B. CLEVEN</p> <p>DRAWN BY: S. HAILU</p> <p>SCALE: NTS</p> <p>DATE: 2018/02/05</p> <p>ISSUED FOR CONSTRUCTION</p> <p>BY: B. CLEVEN</p> <p>DATE:</p>	<p>CHECKED BY: P. PANUFNIK</p> <p>APPROVED BY: B. CLEVEN</p>	<p>CITY DRAWING NUMBER 1-0309U-E0013</p> <p>SHEET 001</p> <p>REV. 00</p> <p>SIZE A1</p>	<p>1-0309U-E0013-001-00.dwg</p>