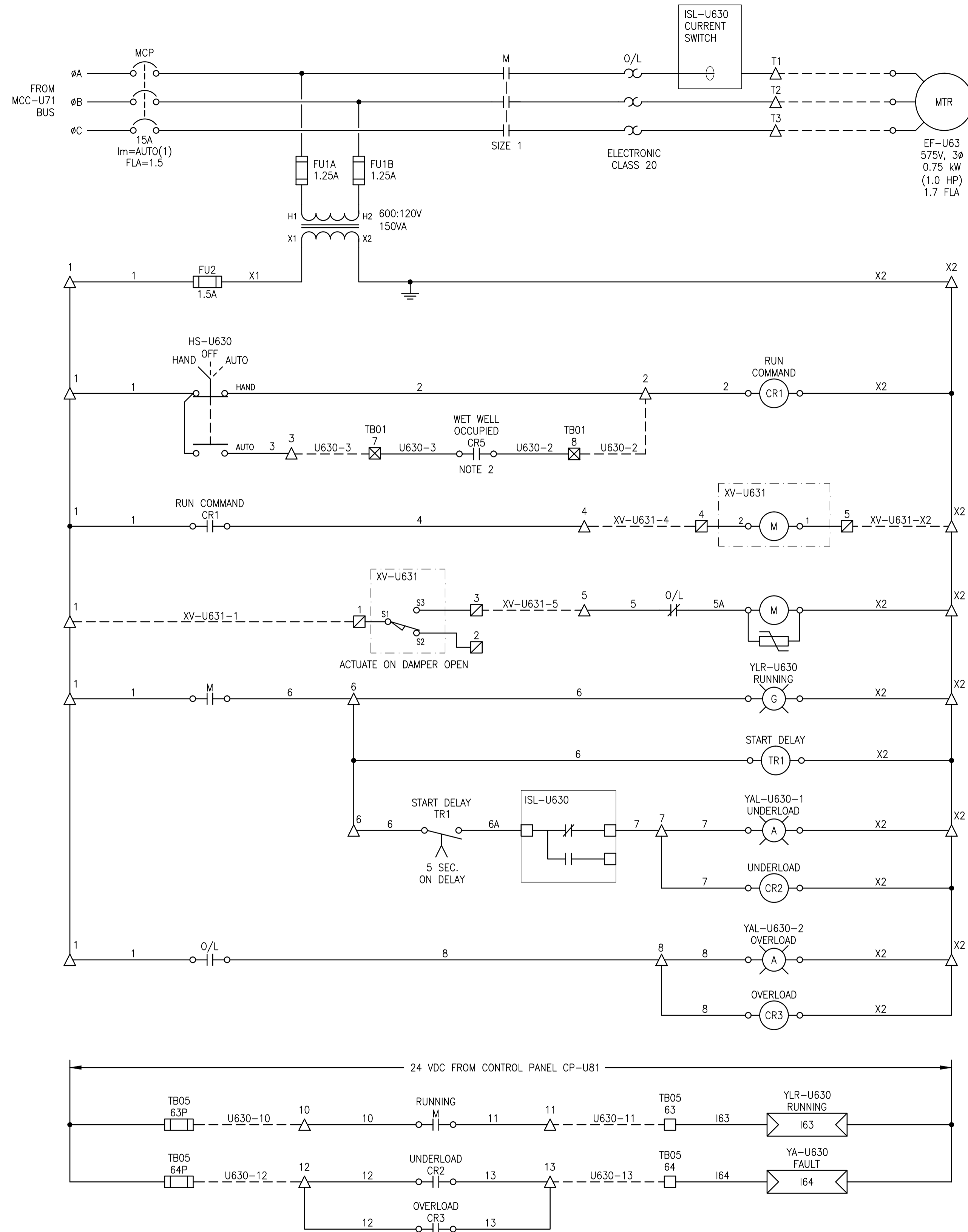
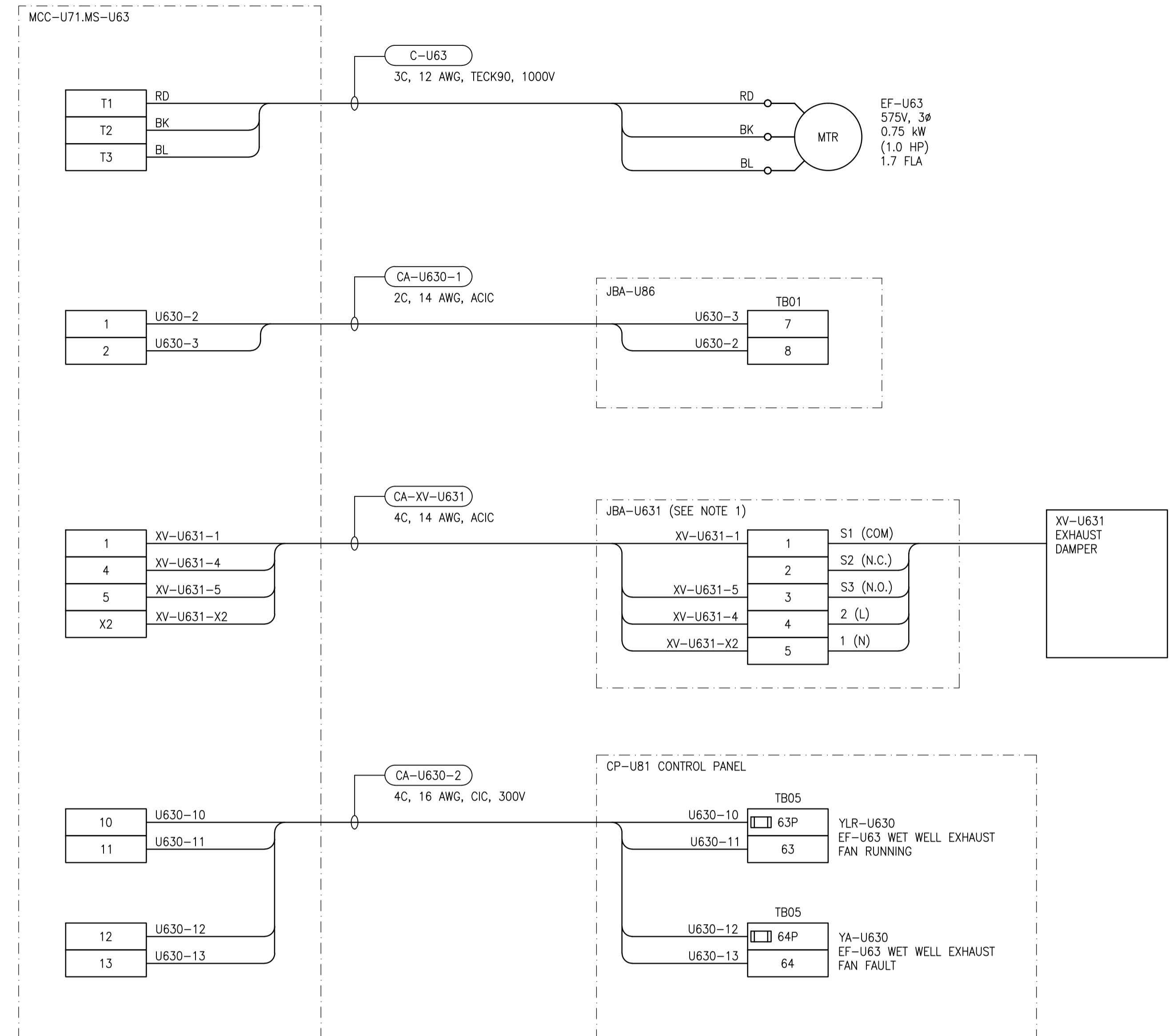


ELEMENTARY DIAGRAM:



FIELD CONNECTION DIAGRAM:



LEGEND:

- △ TERMINAL IN MOTOR STARTER PANEL
- TERMINAL IN CONTROL PANEL CP-U81
- ▣ TERMINAL IN JUNCTION BOX
- ⊗ TERMINAL IN VENTILATION PANEL JBA-U86
- ⊙ INDICATING LIGHT, G = GREEN, A = AMBER
- ◁ ▷ PLC INPUT

- NOTES:**
- PROVIDE AND INSTALL NEW NEMA TYPE 4 JUNCTION BOX, COMPLETE WITH TERMINALS AND IDENTIFICATION LAMACOID.
 - SEE DRAWING 1-0309U-A0022 FOR CR5 COIL CONNECTIONS.



<p>SNC-LAVALIN INC. 148 Nature Park Way Winnipeg, MB, Canada R3P 0X7 204-786-8080</p>		<p>ENGINEER'S SEAL</p> <p>PRELIMINARY NOT TO BE USED FOR CONSTRUCTION</p>	<p>THE CITY OF WINNIPEG WATER AND WASTE DEPARTMENT</p> <p>METRO ROUTE 20 UNDERPASS PUMPING STATION 2018 UPGRADES MOTOR STARTER SCHEMATIC EF-U63 WET WELL EXHAUST FAN</p>
<p>DESIGNED BY: B. CLEVEN DRAWN BY: S. HALLU SCALE: NTS DATE: 2018/02/05</p>	<p>CHECKED BY: P. PANUFNIK APPROVED BY: B. CLEVEN ISSUED FOR CONSTRUCTION DATE:</p>	<p>CITY DRAWING NUMBER: 1-0309U-E0014</p>	<p>SHEET: 001 REV: 00 SIZE: A1</p>
<p>00 ISSUED FOR TENDER, BID OPP. 475-2018 2018/05/09 BC PP</p>	<p>CONSULTANT NO.:</p>	<p>1-0309U-E0014-001-00.dwg</p>	